

# REFERENCE

6032i

6032cf

6032si

6032gr

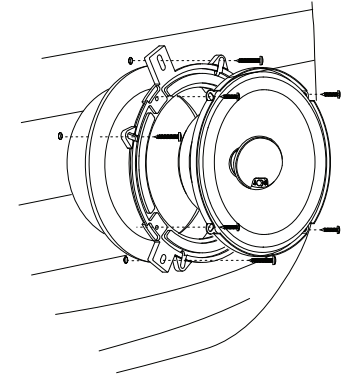
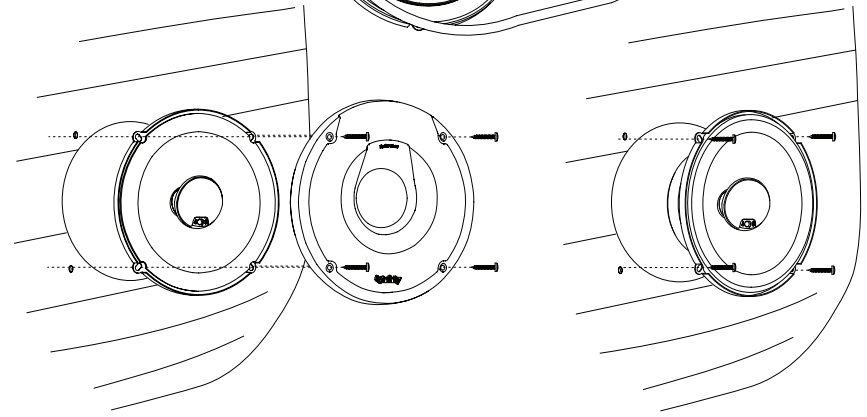
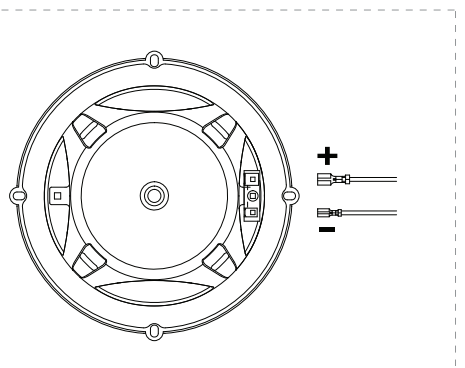
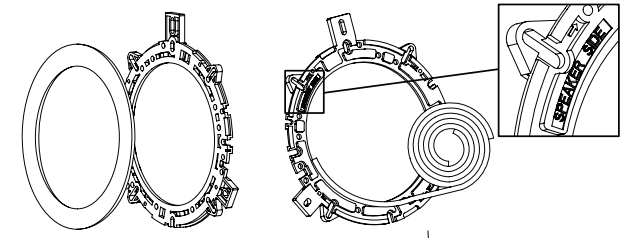
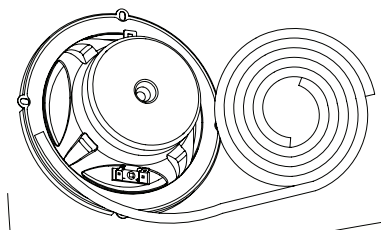
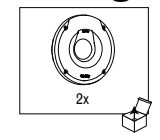
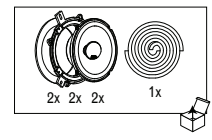
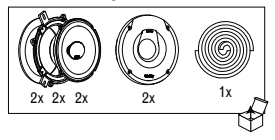


 Infinity®

6032i/6032si

6032cf

6032gr





	6032i	6032cf	6032si
BL (T-m)	4.00	4.00	4.30
DCR (ohms)	2.30	2.30	2.30
Mms (g)	12.98	12.98	12.69
Sd (sq cm)	132.7	132.7	132.7
Cms ( $\mu\text{m}/\text{N}$ )	277	277	221
Vas (l)	6.85	6.85	5.47
Fs (Hz)	83.9	83.9	95.0
Qes	0.98	0.98	0.94
Qms	6.16	6.16	7.89
Qt	0.85	0.85	0.84

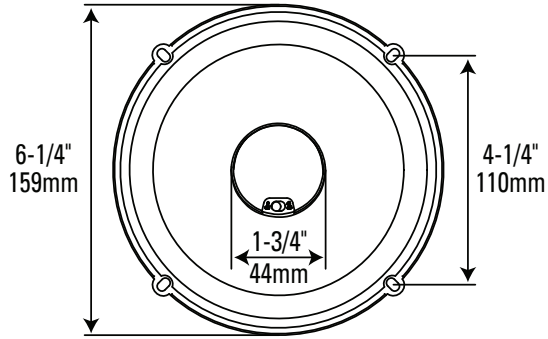
## SPECIFICATIONS

	6032i	6032cf	6032si	6032gr
Type:	6-1/2" (160mm) 2-Way	6-1/2" (160mm) 2-Way NO GRILLE	6-1/2" (160mm) Shallow-Mount 2-Way	GRILLE ONLY for 6-1/2" (160mm)
Impedance:	2 Ohms	2 Ohms	2 Ohms	
Power Handling, RMS:	60W	60W	50W	
Power Handling, Peak:	180W	180W	150W	
Frequency Response:	53Hz – 21kHz	53Hz – 21kHz	53Hz – 21kHz	
Sensitivity (2.83V, 1m):	93dB	93dB	93dB	

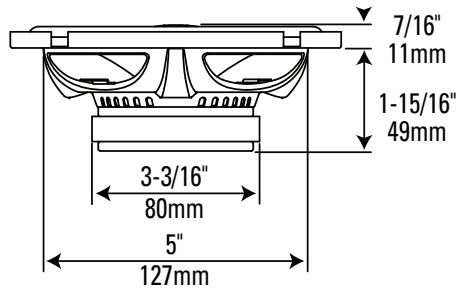
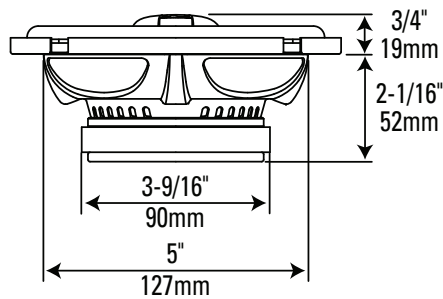
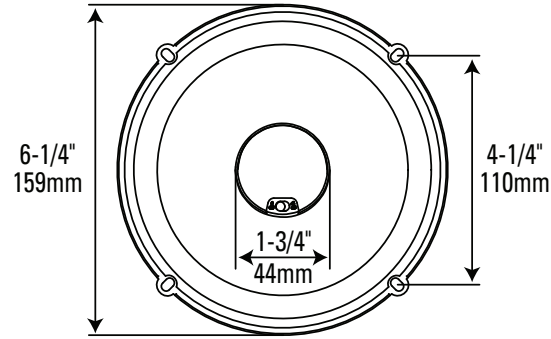
Grilles are included with the "i" version; they are optional for the "cf" and "si" versions (use Reference model 6032gr).

**WARRANTY:** Reference Series speakers are warranted against defects. The duration of the speaker's warranty depends on the laws in the country in which it was purchased. Your local Infinity car audio retailer can help you determine the length of your warranty. To register your product, please visit us at [www.infinitysystems.com](http://www.infinitysystems.com).

# 6032i/6032cf



# 6032si



Designed and engineered in the USA. Conception et design aux É.U.A.

A valid serial number is required for warranty coverage. Un numéro de série valable est exigé pour la couverture de la garantie.

Features, specifications and appearance are subject to change without notice.

Les dispositifs, les caractéristiques et l'aspect sont sujets au changement sans communication préalable.

Harman International, Consumer Division, 8500 Balboa Blvd., Northridge, CA 91329 USA

www.infinitysystems.com

© 2009 Harman International Industries, Incorporated. All rights reserved. Tous droits réservés. • Part No. REF60320M1/09

Infinity is a trademark of Harman International Industries, Incorporated, registered in the United States and/or other countries.

Infinity est une marque commerciale de Harman International Industries, Incorporated, déposée aux États-Unis et/ou dans d'autres pays.



## Declaration of Conformity



We, Harman International, Consumer Division  
2, route de Tours  
72500 Château du Loir  
France

declare in own responsibility that the products described in this owner's manual are in compliance with technical standards:

EN 61000-6-3:2001  
EN 61000-6-1:2001

  
Klaus Lebherz  
Harman Consumer Group, Inc.  
Château du Loir, France 1/09

