



(12) **United States Design Patent**  
**Steineckert et al.**

(10) **Patent No.:** **US D630,924 S**  
(45) **Date of Patent:** **\*\* Jan. 18, 2011**

- (54) **HAND TOOL**
- (75) Inventors: **Jennefer Ruth Steineckert**, Portland, OR (US); **Benjamin C. Rivera**, Lake Oswego, OR (US)
- (73) Assignee: **Leatherman Tool Group, Inc.**, Portland, OR (US)
- (\*\*) Term: **14 Years**
- (21) Appl. No.: **29/346,851**
- (22) Filed: **Nov. 6, 2009**

- (51) **LOC (9) Cl.** ..... **08-05**
- (52) **U.S. Cl.** ..... **D8/105**
- (58) **Field of Classification Search** ..... D8/99,  
D8/58, 55, 356, 52, 107, 105; D19/65; 81/440,  
81/427.5, 177.4; 7/160, 138, 128, 118; 30/298.4,  
30/162, 161, 155  
See application file for complete search history.

(56) **References Cited**

U.S. PATENT DOCUMENTS

|                |         |               |        |
|----------------|---------|---------------|--------|
| D384,872 S     | 10/1997 | Yeh           |        |
| D392,519 S     | 3/1998  | Hung          |        |
| D398,209 S     | 9/1998  | Rivera        |        |
| D408,238 S     | 4/1999  | Rivera        |        |
| D414,097 S     | 9/1999  | Berg et al.   |        |
| D414,387 S     | 9/1999  | Hung          |        |
| D423,893 S     | 5/2000  | Mackin et al. |        |
| D445,326 S     | 7/2001  | Alfaro        |        |
| 6,276,063 B1 * | 8/2001  | Chen          | 30/161 |
| D454,044 S     | 3/2002  | Alfaro        |        |
| D467,783 S *   | 12/2002 | Onion         | D8/107 |
| D476,546 S     | 7/2003  | Ping          |        |
| 6,622,328 B2 * | 9/2003  | Rivera        | 7/128  |
| D481,289 S *   | 10/2003 | Dallas        | D8/105 |
| 6,675,419 B2   | 1/2004  | Rivera        |        |
| D497,532 S     | 10/2004 | Rivera et al. |        |
| D497,790 S     | 11/2004 | Rivera et al. |        |
| D499,622 S     | 12/2004 | Rivera et al. |        |
| D505,057 S *   | 5/2005  | Ralph         | D8/99  |
| D509,125 S     | 9/2005  | Ping          |        |

D521,829 S 5/2006 Yale et al.  
7,182,001 B2 \* 2/2007 Rivera ..... 81/177.4

(Continued)

*Primary Examiner*—Austin Murphy  
(74) *Attorney, Agent, or Firm*—Alston & Bird LLP

(57) **CLAIM**

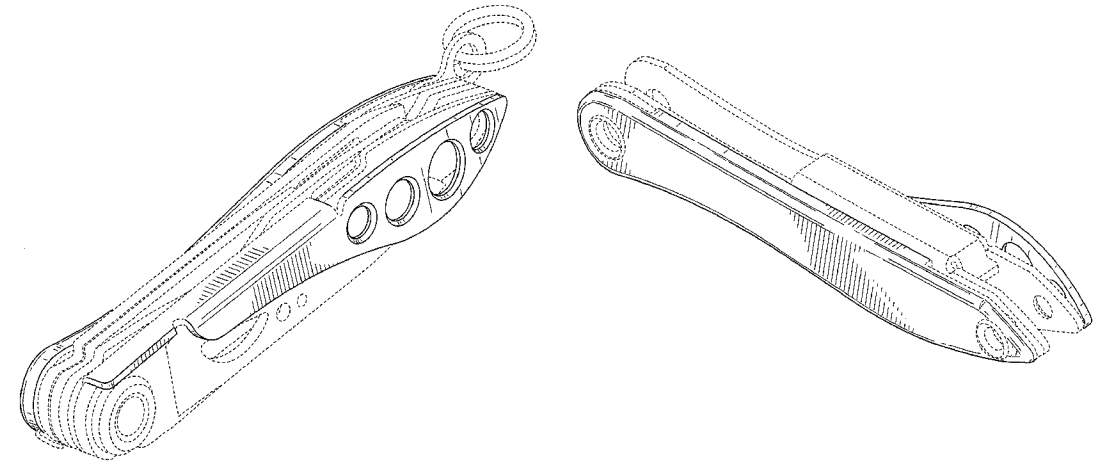
The ornamental design for a hand tool, as shown and described.

**DESCRIPTION**

- FIG. 1 is a perspective view of a hand tool according to my new design;
- FIG. 2 is another perspective view thereof;
- FIG. 3 is a left side elevation view thereof;
- FIG. 4 is a right side elevation view thereof;
- FIG. 5 is a top plan view thereof;
- FIG. 6 is a bottom plan view thereto;
- FIG. 7 is a front elevation view thereof;
- FIG. 8 is a rear elevation view thereof;
- FIG. 9 is a perspective view of a second embodiment of the hand tool showing my new design;
- FIG. 10 is another perspective view thereof;
- FIG. 11 is a left side elevation view thereof;
- FIG. 12 is a right side elevation view thereof;
- FIG. 13 is a top plan view thereof;
- FIG. 14 is a bottom plan view thereto;
- FIG. 15 is a front elevation view thereof; and,
- FIG. 16 is a rear elevation view thereof.

The broken lines immediately adjacent the shaded areas represent bounds of the claimed design and environment while all other broken lines are directed to environment and are for illustrative purposes only. The broken lines form no part of the claimed design.

**1 Claim, 10 Drawing Sheets**



# US D630,924 S

Page 2

## U.S. PATENT DOCUMENTS

|              |         |                     |        |                   |         |                    |          |
|--------------|---------|---------------------|--------|-------------------|---------|--------------------|----------|
| D541,618 S   | 5/2007  | Klecker             |        | D600,527 S *      | 9/2009  | Nyssen et al. .... | D8/105   |
| D542,107 S   | 5/2007  | Yale et al.         |        | D600,528 S *      | 9/2009  | Nyssen et al. .... | D8/105   |
| D543,084 S   | 5/2007  | Yale                |        | 7,607,231 B2      | 10/2009 | Klecker et al.     |          |
| D553,467 S * | 10/2007 | Ryan .....          | D8/99  | 7,676,931 B2      | 3/2010  | Knight et al.      |          |
| D557,100 S * | 12/2007 | Stokes et al. ....  | D8/105 | 7,712,399 B2 *    | 5/2010  | Nenadic .....      | 81/427.5 |
| D568,710 S * | 5/2008  | Klecker et al. .... | D8/105 | 2002/0059730 A1 * | 5/2002  | Flavigny .....     | 30/161   |
| D571,181 S   | 6/2008  | Klecker et al.      |        | 2005/0097755 A1   | 5/2005  | Galyean et al.     |          |
| D573,437 S * | 7/2008  | Nenadic .....       | D8/105 | 2006/0096035 A1   | 5/2006  | Ocklenburg         |          |
| D573,865 S * | 7/2008  | Klecker et al. .... | D8/105 | 2006/0260137 A1   | 11/2006 | Flagg et al.       |          |
| 7,437,822 B2 | 10/2008 | Flagg et al.        |        | 2007/0101508 A1   | 5/2007  | Quenzi             |          |
| D591,570 S   | 5/2009  | Lee et al.          |        | 2007/0124940 A1   | 6/2007  | Hawk et al.        |          |
| D592,931 S   | 5/2009  | Nenadic             |        | 2008/0163433 A1   | 7/2008  | Nenadic            |          |
| D595,104 S * | 6/2009  | Goodrich .....      | D8/99  | 2008/0263777 A1   | 10/2008 | Rivera             |          |
| D596,911 S   | 7/2009  | Carpenter et al.    |        | 2009/0090225 A1   | 4/2009  | Nenadic            |          |
| D600,080 S   | 9/2009  | Liu                 |        | 2010/0122420 A1   | 5/2010  | Nason et al.       |          |

\* cited by examiner

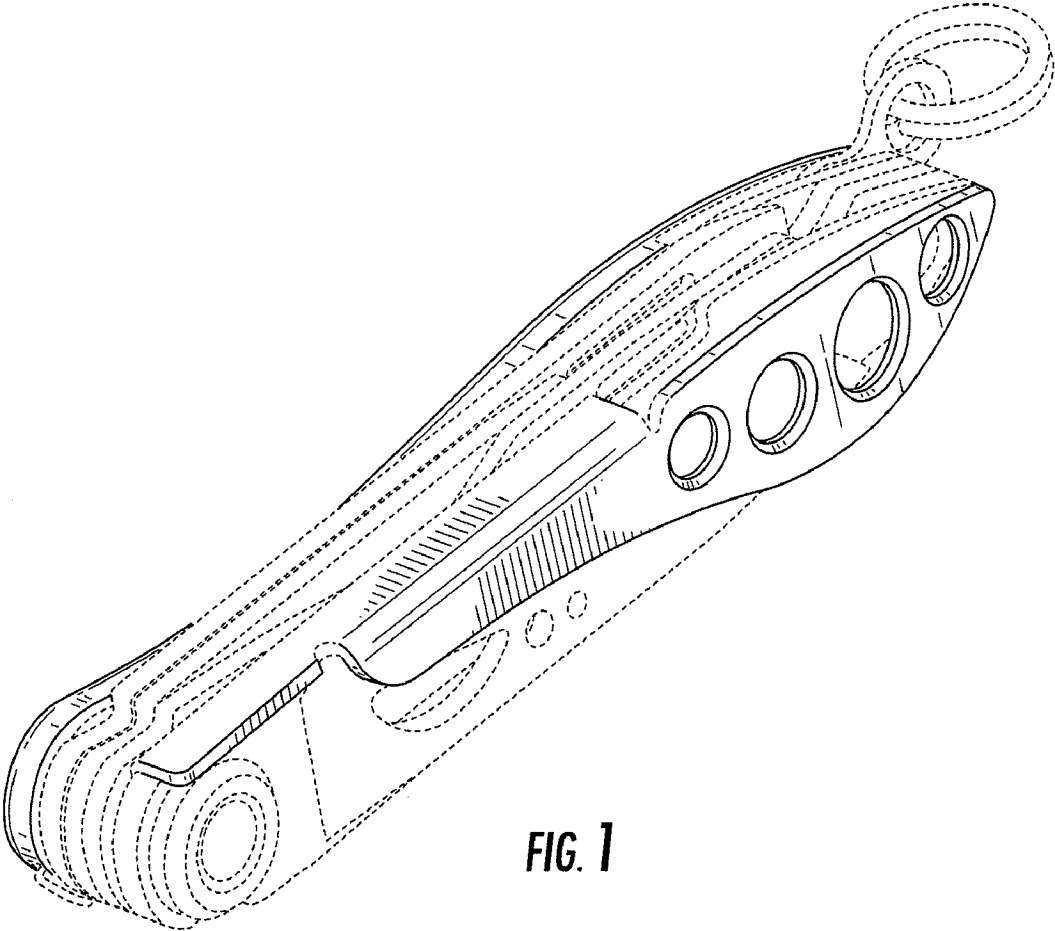
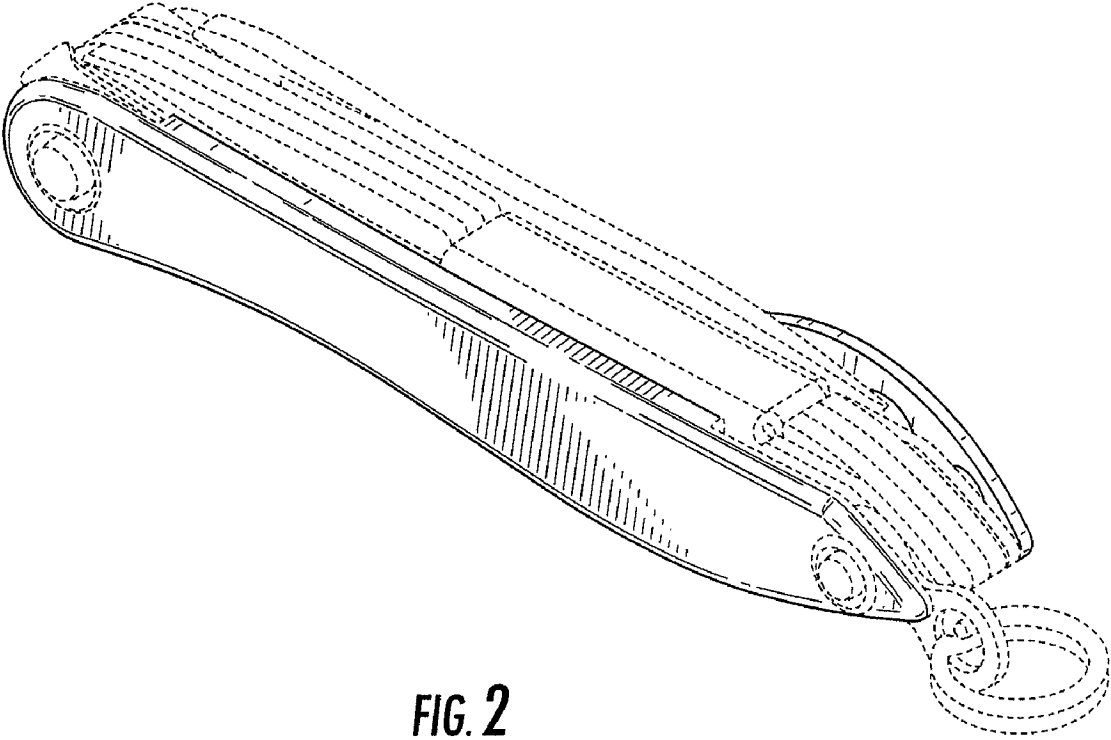


FIG. 1



**FIG. 2**

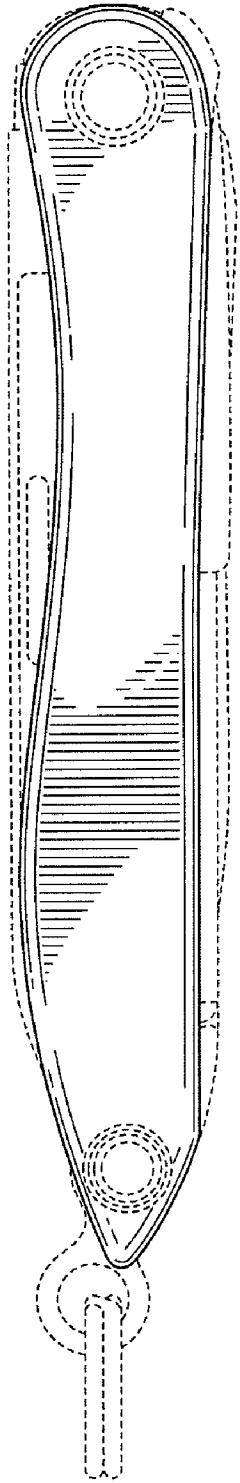


FIG. 3

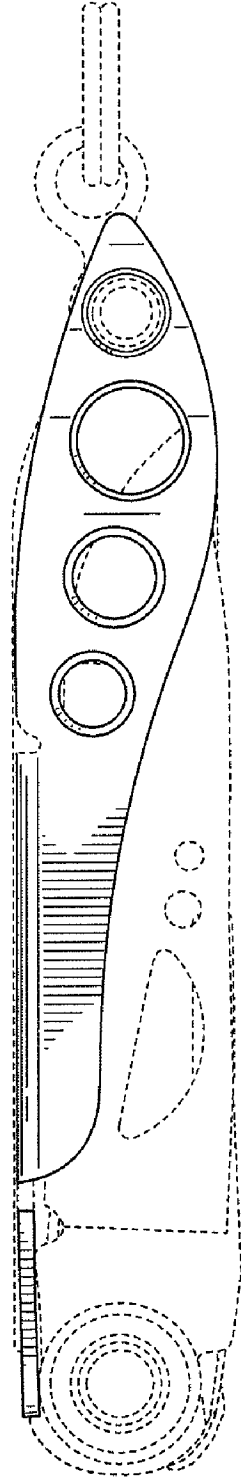


FIG. 4

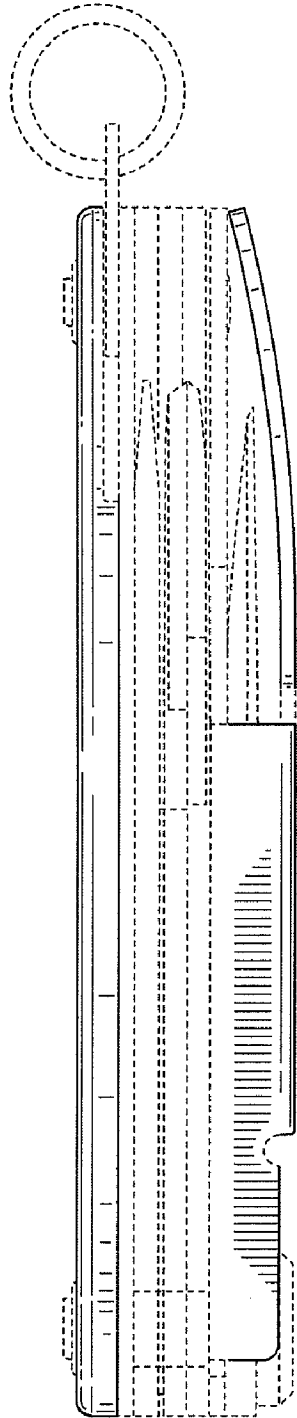


FIG. 5

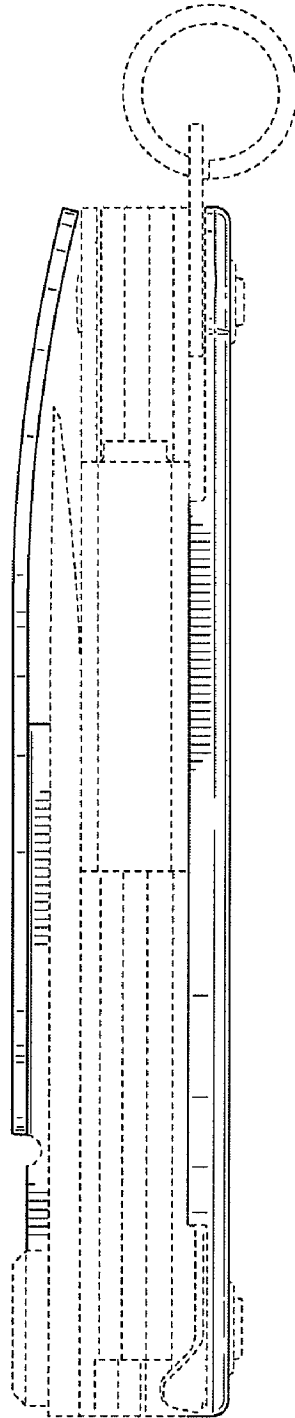
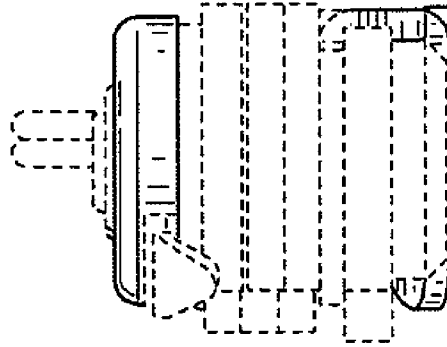
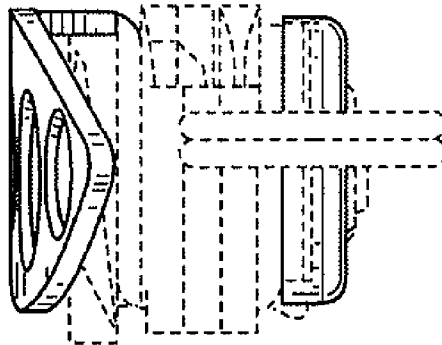


FIG. 6



**FIG. 7**



**FIG. 8**

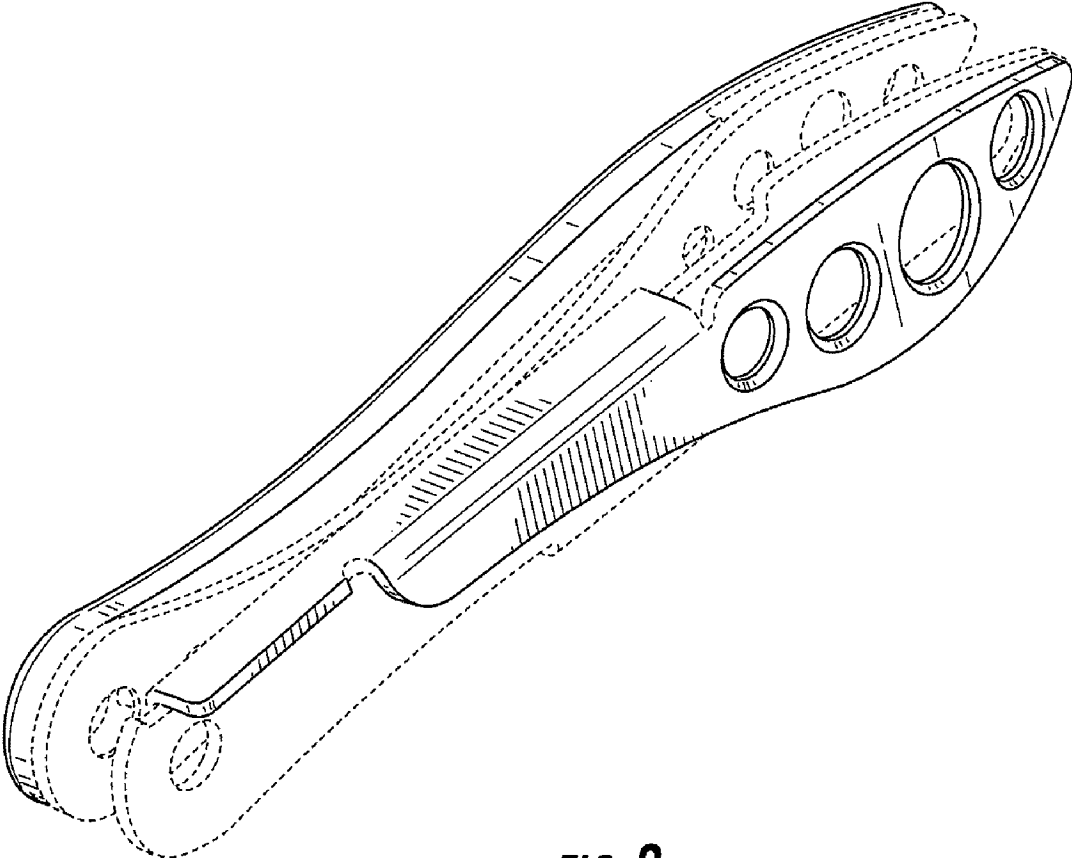


FIG. 9



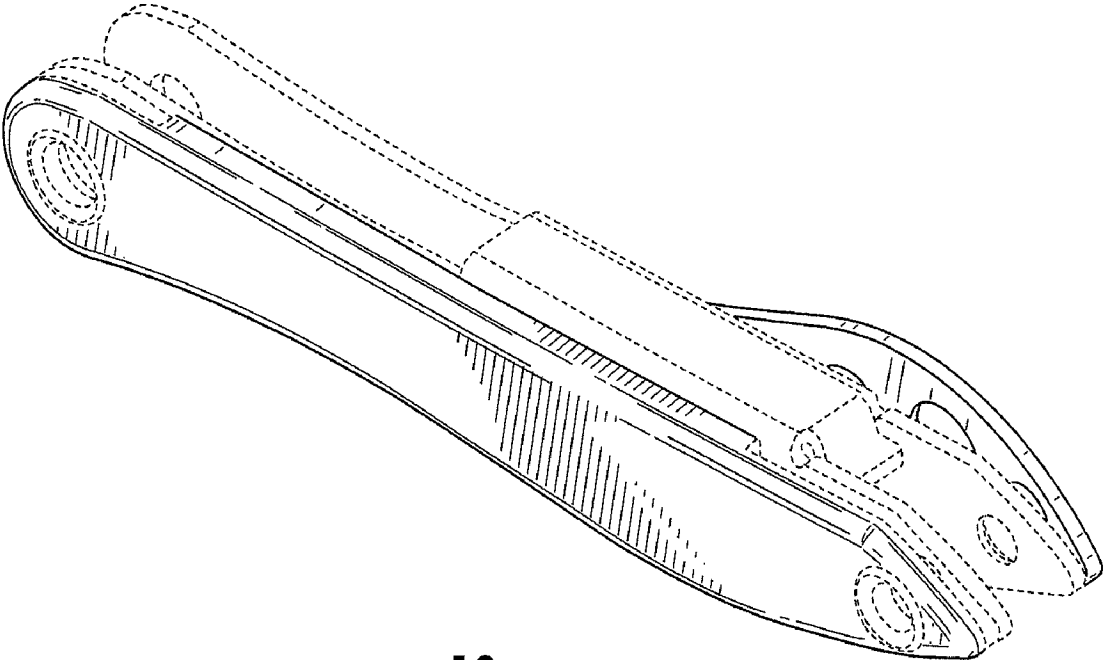


FIG. 10

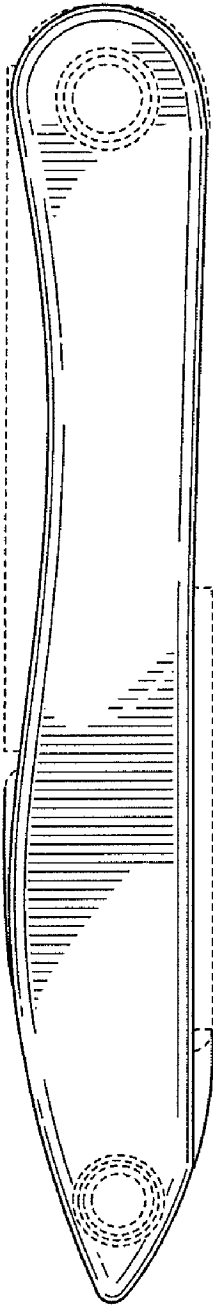


FIG. 11

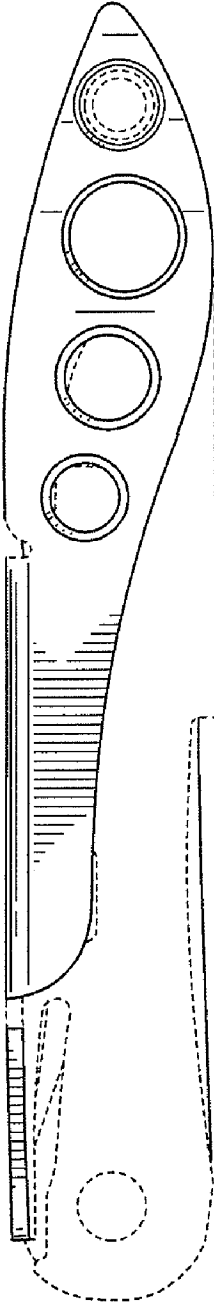


FIG. 12

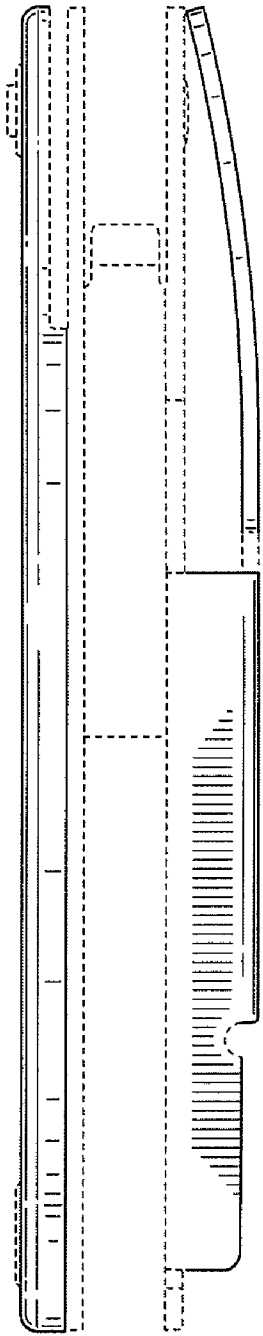


FIG. 13

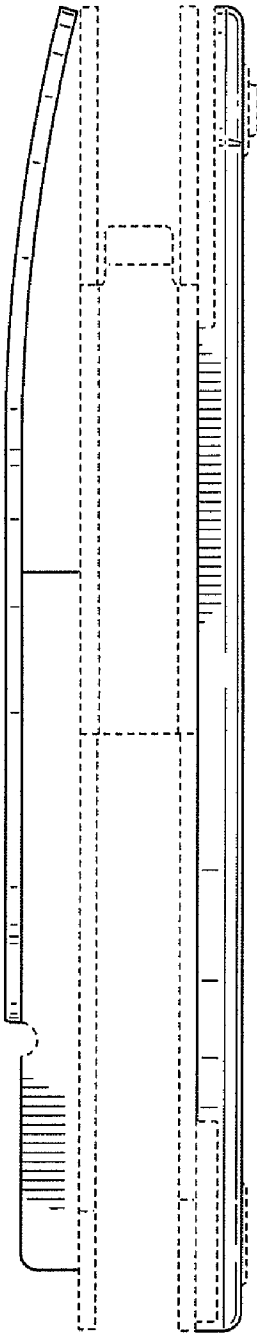


FIG. 14

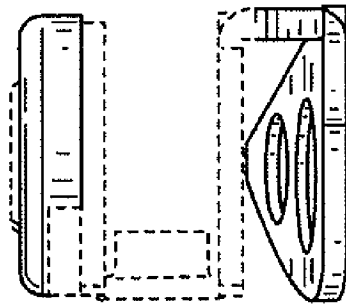


FIG. 15

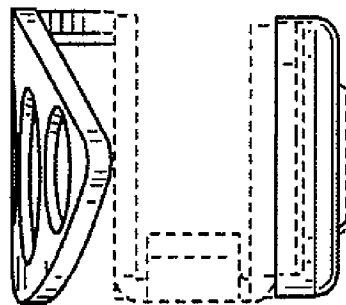


FIG. 16