



US00D529364S

(12) **United States Design Patent** (10) **Patent No.:** **US D529,364 S**
Yale (45) **Date of Patent:** **** Oct. 3, 2006**

(54) **HANDLE FOR A FOLDING HAND TOOL WITH OPPOSING CHANNELS**

5,743,582 A 4/1998 Rivera
5,745,997 A 5/1998 Berg et al.

(Continued)

(75) Inventor: **Melissa C. Yale**, Portland, OR (US)

FOREIGN PATENT DOCUMENTS

(73) Assignee: **Leatherman Tool Group, Inc.**,
Portland, OR (US)

EP 0783937 A2 11/1996

(**) Term: **14 Years**

OTHER PUBLICATIONS

(21) Appl. No.: **29/220,922**

U.S. Appl. No. 29/209,072, Rivera.
U.S. Appl. No. 29/220,870, Yale.
U.S. Appl. No. 29/220,912, Yale et al.
U.S. Appl. No. 29/220,911, Tsuda.
U.S. Appl. No. 29/220,831, Yale.
U.S. Appl. No. 29/220,871, Yale, et al.
U.S. Appl. No. 29/220,869, Yale.
SOG "Paratool" Multipurpose Tool, photocopy of User's Guide, at least as early as 1993.
Leatherman Tool Group, Inc., The Original Leatherman PST II, photocopy of brochure, at least as early as Jul. 1995.
E-Bay Advertisement, "Early 1900s Folding Fisherman's Tool MT," Item No. 2153119094, at least as early as Jan. 13, 2003.

(22) Filed: **Jan. 7, 2005**

(51) **LOC (8) Cl.** **08-05**

(52) **U.S. Cl.** **D8/105; D8/107**

(58) **Field of Classification Search** 7/158,
7/128-129, 168, 142, 118-119, 125-135,
7/163-166; 16/425, 110.1; D8/105-107,
D8/54-56, 99; 30/155, 255, 160-161; 81/427.5,
81/416, 440

See application file for complete search history.

(56) **References Cited**

U.S. PATENT DOCUMENTS

124,566 A	3/1872	Garrick	
254,404 A	2/1882	Story	
3,783,509 A	1/1974	Lake	
4,238,862 A	12/1980	Leatherman	
D304,154 S	10/1989	Osterhout	
4,882,841 A	11/1989	Margolis	
D332,384 S	1/1993	Dague	
5,267,366 A	12/1993	Frazer	
D344,006 S	2/1994	Glesser	
D357,166 S	4/1995	Concari	
D368,634 S	4/1996	Frazer	
5,511,310 A	4/1996	Sessions et al.	
5,564,318 A	10/1996	Pail	
D382,190 S	8/1997	Blackston et al.	
D384,872 S	10/1997	Yeh	
D385,168 S	10/1997	Rivera	
D385,169 S	10/1997	Rivera	
D385,170 S	10/1997	Rivera	
5,697,114 A *	12/1997	McIntosh et al.	7/129
5,711,194 A	1/1998	Anderson	
D392,519 S	3/1998	Hung	

Primary Examiner—Pamela Burgess
(74) *Attorney, Agent, or Firm*—Chernoff, Vilhauer, McClung & Stenzel, LLP

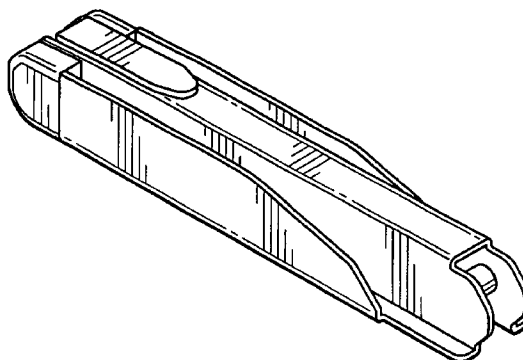
(57) **CLAIM**

The ornamental design for a handle for a folding hand tool with opposing channels, as shown and described.

DESCRIPTION

FIG. 1. is an isometric view from the upper right front of a handle for a folding hand tool with opposing channels, showing my new design;
FIG. 2. is a top plan view thereof;
FIG. 3. is a right side elevational view thereof;
FIG. 4. is a bottom plan view thereof;
FIG. 5. is a left side elevational view thereof;
FIG. 6. is a front end elevational view thereof; and,
FIG. 7. is a rear end elevational view thereof.

1 Claim, 2 Drawing Sheets



US D529,364 S

Page 2

U.S. PATENT DOCUMENTS

D398,209 S	9/1998	Rivera	D447,039 S	8/2001	Rivera
D398,213 S	9/1998	Rivera	D447,041 S	8/2001	Rivera
5,809,599 A	9/1998	Frazer	D447,401 S	9/2001	Rivera
D401,133 S	11/1998	Gardiner et al.	6,282,996 B1	9/2001	Berg et al.
D403,944 S	1/1999	Rivera	6,305,041 B1	10/2001	Montague et al.
D405,675 S	2/1999	Rivera	6,318,218 B1	11/2001	Anderson et al.
D405,676 S	2/1999	Rivera	6,389,625 B1	5/2002	Rivera
D406,508 S	3/1999	Rivera	6,408,522 B1	6/2002	Rivera
D406,509 S	3/1999	Rivera	6,412,130 B1 *	7/2002	Kershaw et al. 7/129
D407,004 S	3/1999	Hull et al.	6,427,334 B1	8/2002	Onion
D407,622 S	4/1999	Rivera	6,510,767 B1	1/2003	Rivera
D408,238 S	4/1999	Rivera	D470,031 S	2/2003	Rivera
5,978,993 A	11/1999	Rivera	D470,032 S	2/2003	Rivera
D417,601 S	12/1999	Rivera	D470,372 S	2/2003	Rivera
6,003,180 A	12/1999	Frazer	D474,085 S	5/2003	Rivera
6,006,385 A *	12/1999	Kershaw et al. 7/129	D474,670 S	5/2003	Rivera
6,014,787 A	1/2000	Rivera	D479,788 S	9/2003	Ocklenburg
D421,377 S	3/2000	Rivera	6,622,328 B1	9/2003	Rivera
6,038,735 A *	3/2000	Chang 16/110.1	6,625,832 B1	9/2003	Montague et al.
6,047,426 A	4/2000	McIntosh et al.	D494,032 S	8/2004	Rivera
D426,446 S	6/2000	Chau	D496,846 S	10/2004	Rivera et al.
D426,447 S	6/2000	Chau	D496,847 S	10/2004	Rivera et al.
D427,501 S	7/2000	Rivera et al.	D497,093 S	10/2004	Rivera et al.
D429,131 S	8/2000	Rivera	D497,094 S	10/2004	Rivera et al.
D429,132 S	8/2000	Rivera	D497,095 S	10/2004	Rivera et al.
D429,616 S	8/2000	Rivera	D497,096 S	10/2004	Rivera et al.
6,128,805 A	10/2000	Rivera	D497,532 S	10/2004	Rivera et al.
D433,902 S	11/2000	Rivera	D497,790 S	11/2004	Rivera et al.
D435,776 S	1/2001	Veltz et al.	D497,791 S	11/2004	Rivera et al.
D436,514 S	1/2001	Rivera	D499,621 S	12/2004	Tsuda
6,216,301 B1	4/2001	Rivera	D499,622 S	12/2004	Rivera et al.
6,226,822 B1	5/2001	Chen	D501,127 S	1/2005	Rivera et al.
D445,009 S	7/2001	Rivera	2003/0192128 A1	10/2003	Rivera
D446,708 S	8/2001	Rivera	2004/0003472 A1	1/2004	Dallas et al.
D446,709 S	8/2001	Rivera	2004/0019973 A1	2/2004	Rivera

* cited by examiner

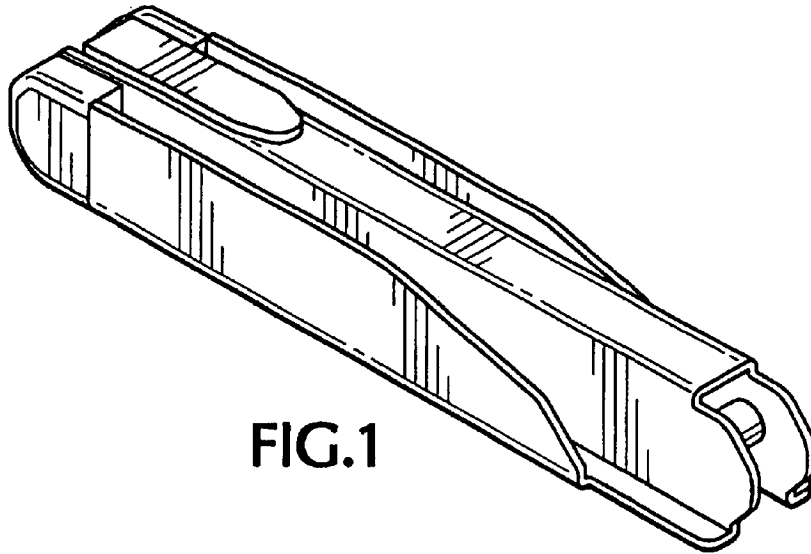


FIG. 1

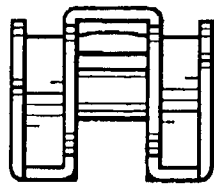


FIG. 6

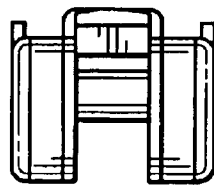


FIG. 7

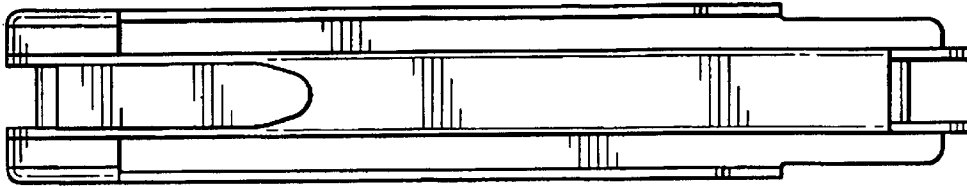


FIG. 2

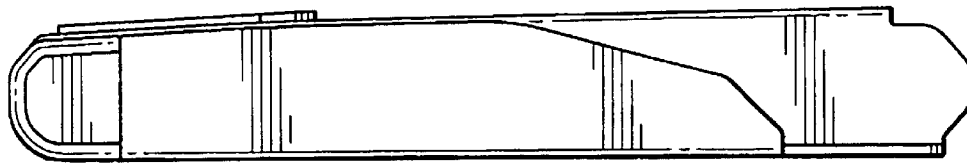


FIG. 3

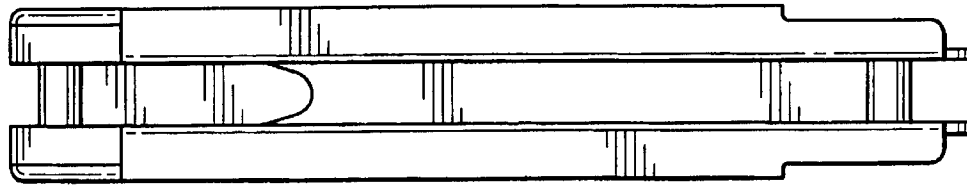


FIG. 4

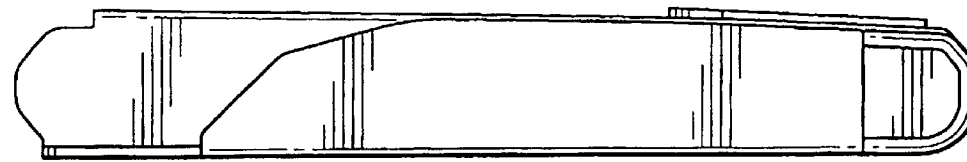


FIG. 5