



US00D595103S

(12) **United States Design Patent**  
**Goodrich**

(10) **Patent No.:** **US D595,103 S**

(45) **Date of Patent:** **\*\* Jun. 30, 2009**

(54) **SCALES FOR KNIVES, HAND TOOLS, AND THE LIKE**

(75) Inventor: **Charles F. Goodrich**, Vancouver, WA (US)

(73) Assignee: **Leatherman Tool Group, Inc.**, Portland, OR (US)

(\*\*) Term: **14 Years**

(21) Appl. No.: **29/318,864**

(22) Filed: **May 29, 2008**

(51) **LOC (9) Cl.** ..... **08-03**

(52) **U.S. Cl.** ..... **D8/99**

(58) **Field of Classification Search** ..... D8/99,  
D8/99, 100, 105, 107; 30/155, 156, 157,  
30/158, 159, 160, 161; D22/118

See application file for complete search history.

(56) **References Cited**

U.S. PATENT DOCUMENTS

D384,871	S	*	10/1997	McWillis	.....	D8/99
D408,705	S	*	4/1999	Elishewitz	.....	D8/99
D408,706	S	*	4/1999	Elishewitz	.....	D8/99
D412,275	S	*	7/1999	Collins	.....	D8/99
D422,478	S	*	4/2000	Elishewitz	.....	D8/99
D428,789	S	*	8/2000	McHenry et al.	.....	D8/99
D431,991	S	*	10/2000	Elishewitz	.....	D8/99
D433,913	S	*	11/2000	Pardue	.....	D8/99
D447,925	S	*	9/2001	Osborne	.....	D8/107
D464,246	S	*	10/2002	Sloan	.....	D8/99
D510,249	S	*	10/2005	Ray	.....	D8/99
D530,180	S	*	10/2006	Klecker et al.	.....	D8/99

OTHER PUBLICATIONS

*Leatherman e300/e301*, available at <http://www.leatherman.com/products/knives/e300-e301/default.asp>, (May 29, 2008), 1 page.

(Continued)

Primary Examiner—Philip S Hyder

(74) Attorney, Agent, or Firm—Alston & Bird LLP

(57) **CLAIM**

The ornamental design for scales for knives, hand tools, and the like, as shown and described.

**DESCRIPTION**

FIG. 1 is a perspective view of a pair of scales for knives, hand tools, and the like according to my new design wherein the interior surfaces of the scales are not claimed;

FIG. 2 is a left side elevation view thereof;

FIG. 3 is a right side elevation view thereof;

FIG. 4 is a top plan view thereof;

FIG. 5 is a bottom plan view thereof;

FIG. 6 is a front elevation view thereof;

FIG. 7 is a rear elevation view thereof;

FIG. 8 is a perspective view of another pair of scales for knives, hand tools, and the like according to my new design wherein the interior surfaces of the scales are not claimed;

FIG. 9 is a left side elevation view thereof;

FIG. 10 is a right side elevation view thereof;

FIG. 11 is a top plan view thereof;

FIG. 12 is a bottom plan view thereof;

FIG. 13 is a front elevation view thereof;

FIG. 14 is a rear elevation view thereof;

FIG. 15 is a perspective view of another pair of scales for knives, hand tools, and the like according to my new design wherein the interior surfaces of the scales are not claimed;

FIG. 16 is a left side elevation view thereof;

FIG. 17 is a right side elevation view thereof;

FIG. 18 is a top plan view thereof;

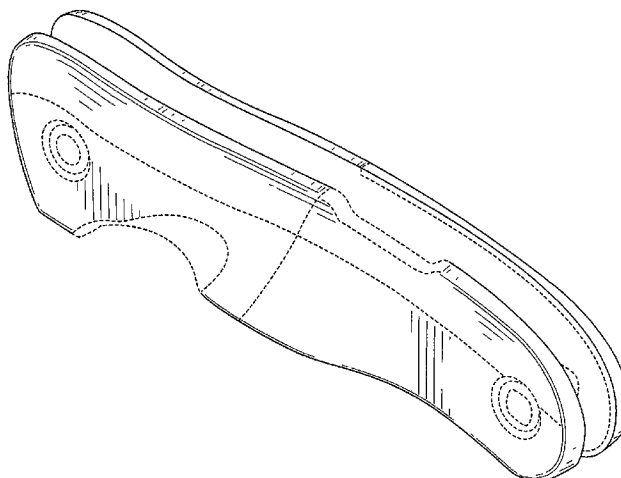
FIG. 19 is a bottom plan view thereof;

FIG. 20 is a front elevation view thereof; and,

FIG. 21 is a rear elevation view thereof.

The broken lines shown herein depict either unclaimed features of the design or the boundaries of the claimed subject matter.

**1 Claim, 15 Drawing Sheets**



## OTHER PUBLICATIONS

*Leatherman e302/e303*, available at <http://www.leatherman.com/products/knives/e302-e303/default.asp>, (May 29, 2008), 1 page.

*Leatherman e304x/e305x*, available at <http://www.leatherman.com/products/knives/e304x-e305x/default.asp>, (May 29, 2008), 1 page.

*Leatherman e306x/e307x*, available at <http://www.leatherman.com/products/knives/e306x-e307x/default.asp>, (May 29, 2008), 1 page.

*Leatherman c300/c301*, available at <http://www.leatherman.com/products/knives/c300-c301/default.asp>, (May 29, 2008), 1 page.

*Leatherman c302/c303*, available at <http://www.leatherman.com/products/knives/c302-c303/default.asp>, (May 29, 2008), 1 page.

*Leatherman c304/c305*, available at <http://www.leatherman.com/products/knives/c304-c305/default.asp>, (May 29, 2008), 1 page.

*Leatherman h500/h501*, available at <http://www.leatherman.com/products/knives/h500-h501/default.asp>, (May 29, 2008), 1 page.

*Leatherman h502/h503*, available at <http://www.leatherman.com/products/knives/h502-h503/default.asp>, (May 29, 2008), 1 page.

*Leatherman k500x/k501x*, available at <http://www.leatherman.com/products/knives/k500x-k501x/default.asp>, (May 29, 2008), 1 page.

*Leatherman k502x/k503x*, available at <http://www.leatherman.com/products/knives/k502x-k503x/default.asp>, (May 29, 2008), 1 page.

*Leatherman Selway*, available at <http://www.leatherman.com/products/knives/selway/default.asp>, (May 29, 2008), 1 page.

*Leatherman Ukiah*, available at <http://www.leatherman.com/products/knives/ukiah/default.asp>, (May 29, 2008), 1 page.

*Leatherman Nehalem*, available at <http://www.leatherman.com/products/knives/nehalem/default.asp>, (May 29, 2008), 1 page.

*Leatherman Steens*, available at <http://www.leatherman.com/products/knives/steens/default.asp>, (May 29, 2008), 1 page.

*Leatherman Klamath*, available at <http://www.leatherman.com/products/knives/klamath/default.asp>, (May 29, 2008), 1 page.

<http://www.knivesplus.com/media/GB-1022.jpg>, (May 21, 2008), 1 page.

*GerberGear>Product Details>Obsidian™ (Fine Edge)*, available at <http://www.gerbergear.com/product.php?model=1021>, (May 29, 2008), 1 page.

*GerberGear>Product Details>Mini FAST Draw™ (Spring Assisted, Serrated Edge)*, available at <http://www.gerbergear.com/product.php?model=1525>, (May 29, 2008), 1 page.

*GerberGear>Product Details>SB 2.5 (Fine Edge)*, available at <http://www.gerbergear.com/product.php?model=1535>, (May 29, 2008), 1 page.

*GerberGear>Product Details>Vallotton (Fine Edge)*, available at <http://www.gerbergear.com/product.php?model=1528>, (May 29, 2008), 1 page.

*GerberGear>Product Details>EVO™ (Fine Edge)*, available at <http://www.gerbergear.com/product.php?model=1433>, (May 29, 2008), 1 page.

*GerberGear>Product Details>FAST Draw™ (Spring Assisted, Fine Edge)*, available at <http://www.gerbergear.com/product.php?model=7162>, (May 29, 2008), 1 page.

*GerberGear>Product Details>Firestorm™ (Fine Edge)*, available at <http://www.gerbergear.com/product.php?model=7179>, (May 29, 2008), 1 page.

*GerberGear>Product Details>Gerber-Emerson Alliance™ (Fine Edge)*, available at <http://www.gerbergear.com/product.php?model=7157>, (May 29, 2008), 1 page.

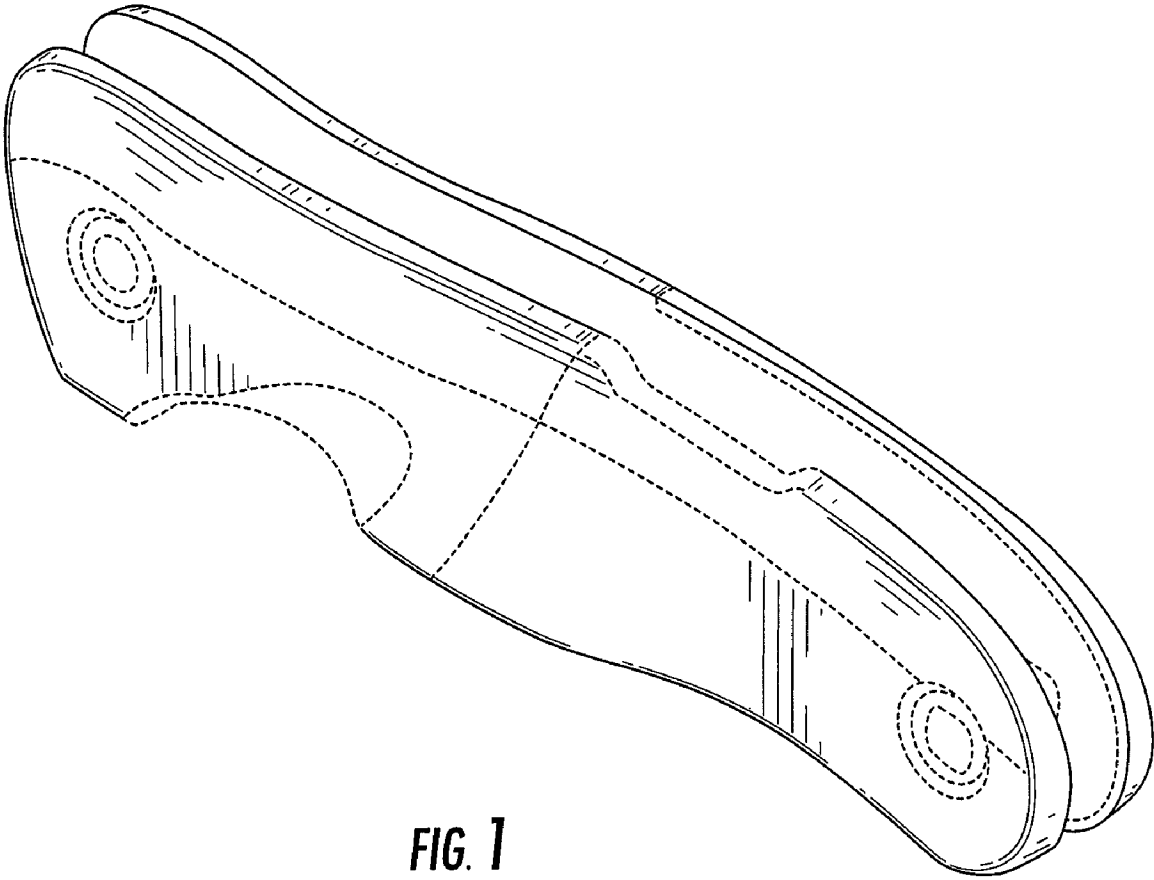
*GerberGear>Product Details>Gator® (Fine Edge, Clip Point)*, available at <http://www.gerbergear.com/product.php?model=6069>, (May 29, 2008), 1 page.

*GerberGear>Product Details>AR 3.0 (Fine Edge)*, available at <http://www.gerbergear.com/product.php?model=5842>, (May 29, 2008), 1 page.

*GerberGear>Product Details>Game Pro™ (Fine Edge, Drop Point)*, available at <http://www.gerbergear.com/product.php?model=8460>, (May 29, 2008), 1 page.

*GerberGear>Product Details>Paraframe™ I (Fine Edge)*, available at <http://www.gerbergear.com/product.php?model=8444>, (May 29, 2008), 1 page.

\* cited by examiner



**FIG. 1**

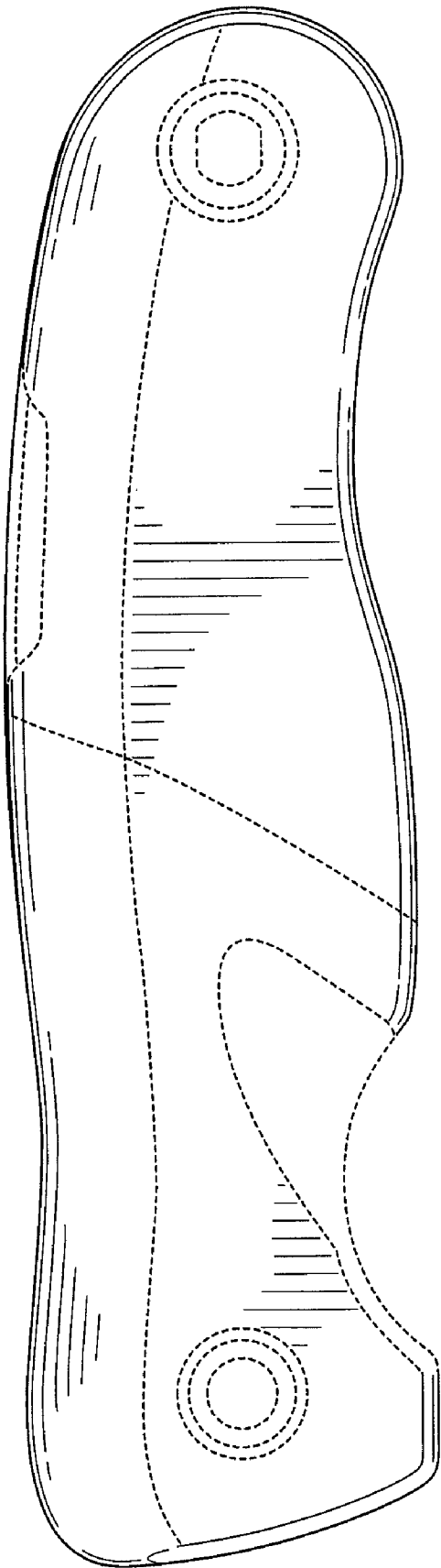


FIG. 2

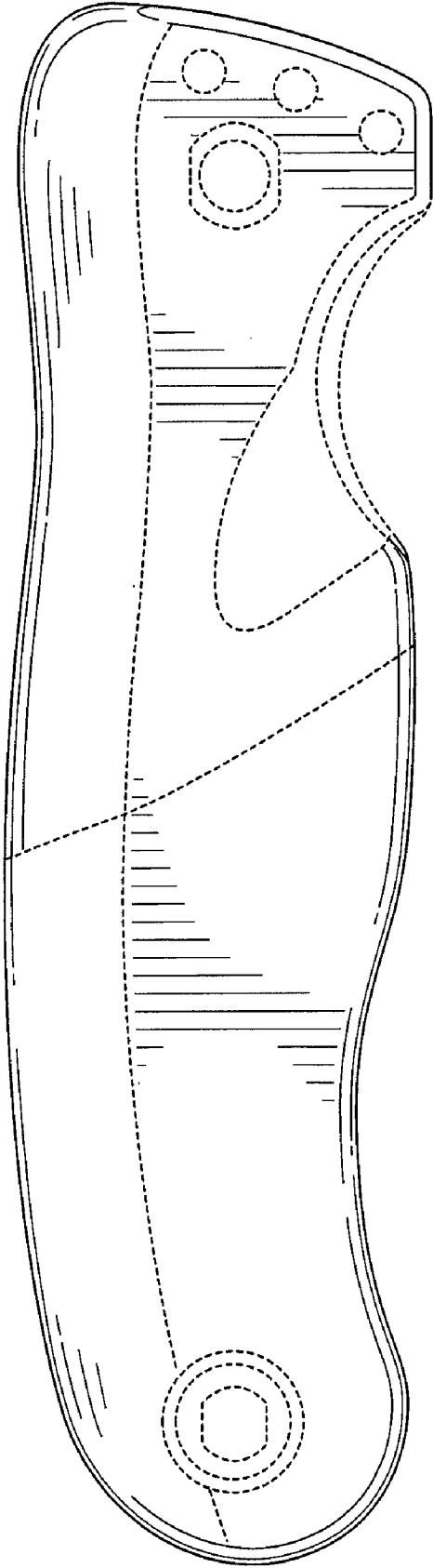
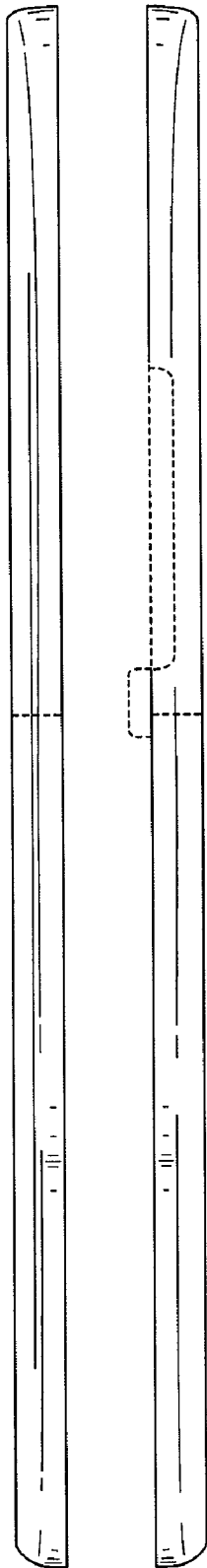
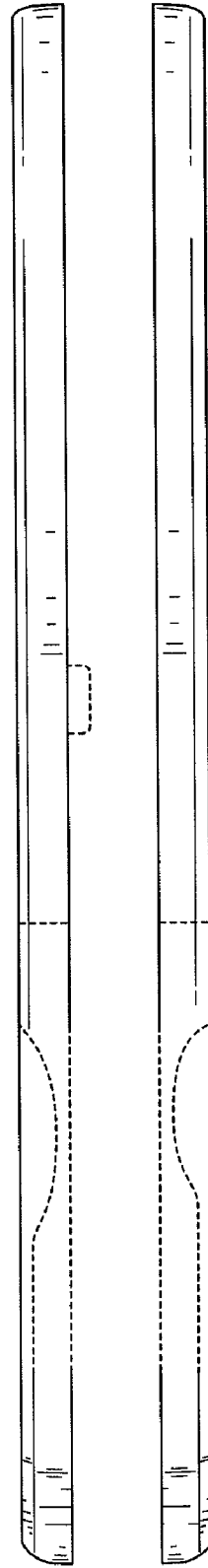


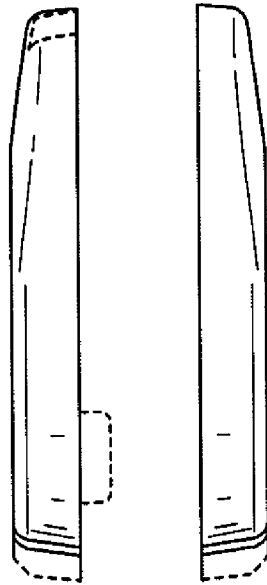
FIG. 3



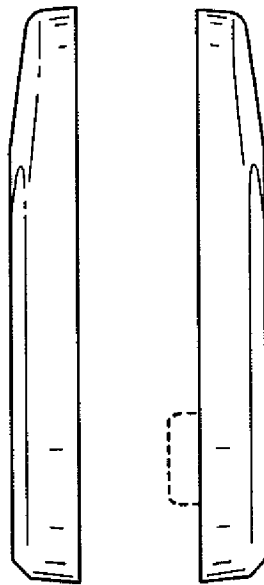
**FIG. 4**



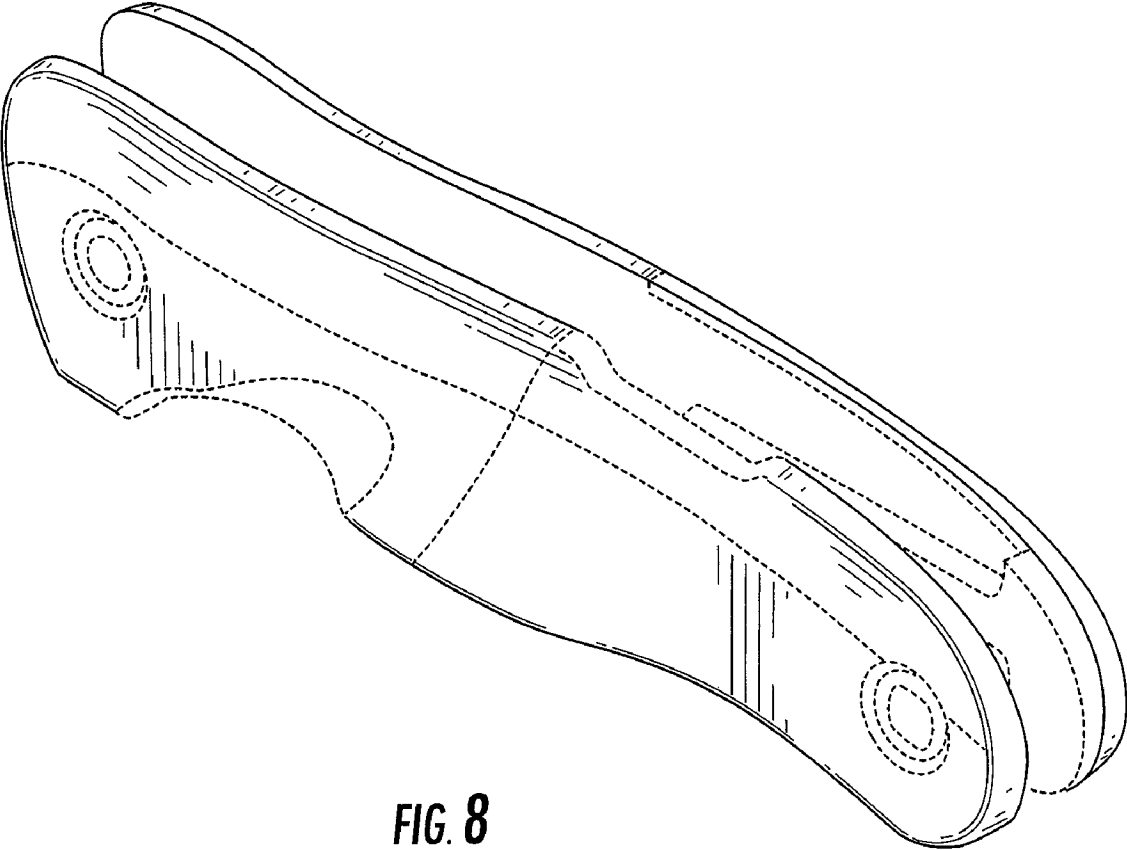
**FIG. 5**



**FIG. 6**



**FIG. 7**



**FIG. 8**



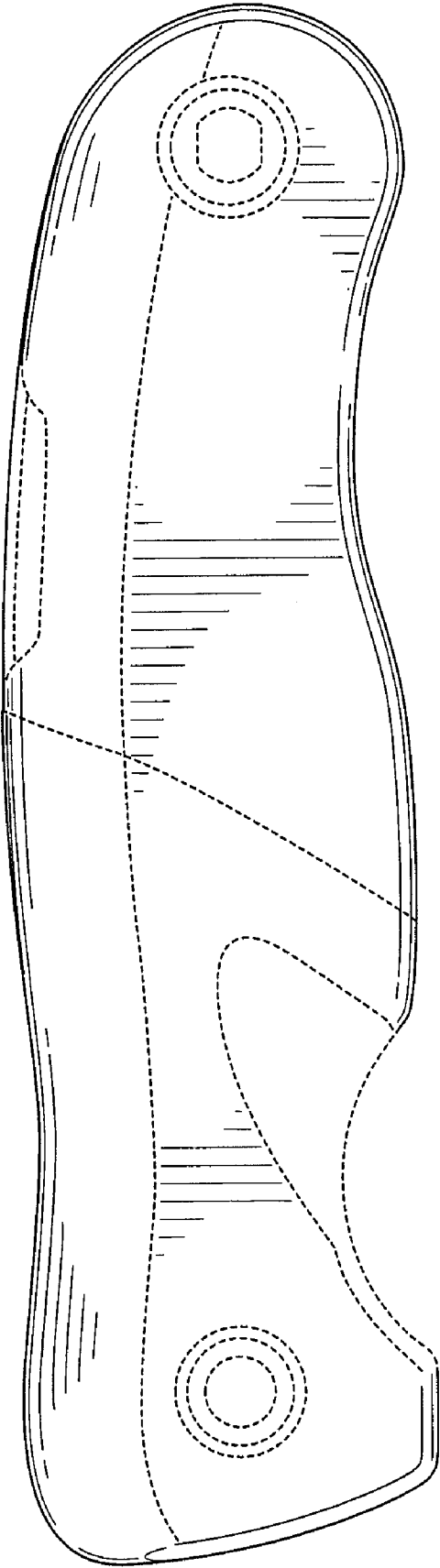


FIG. 9

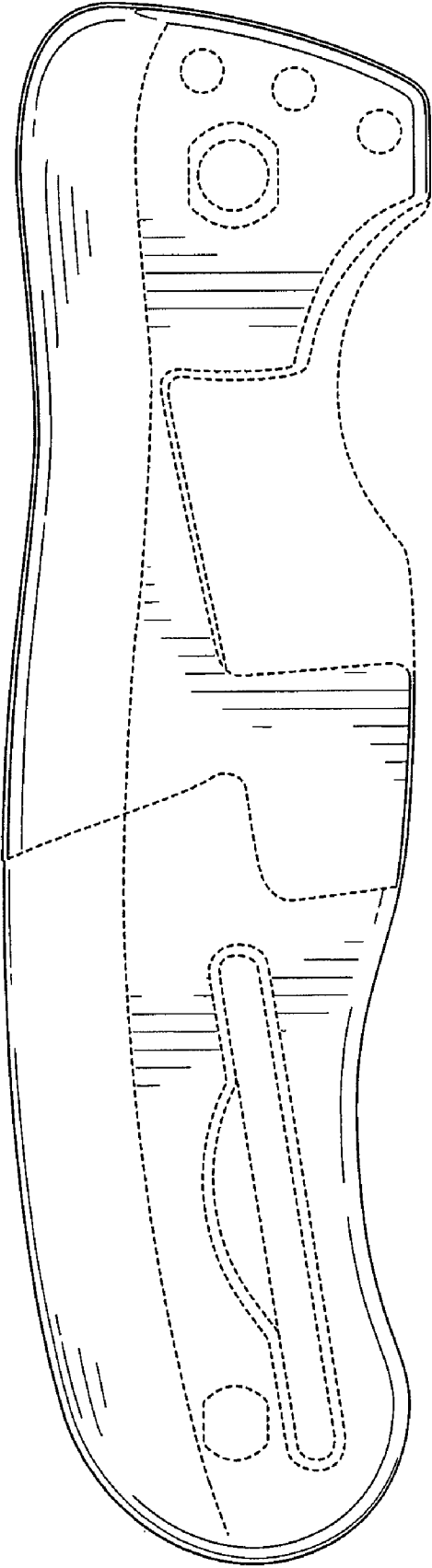


FIG. 10

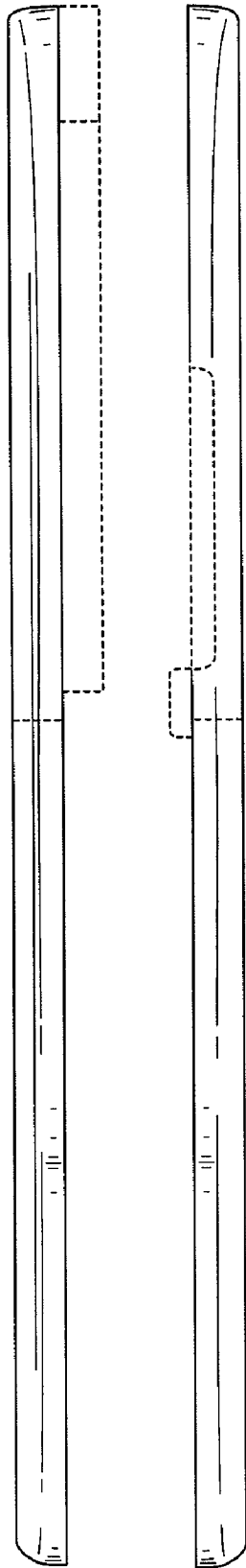


FIG. 11

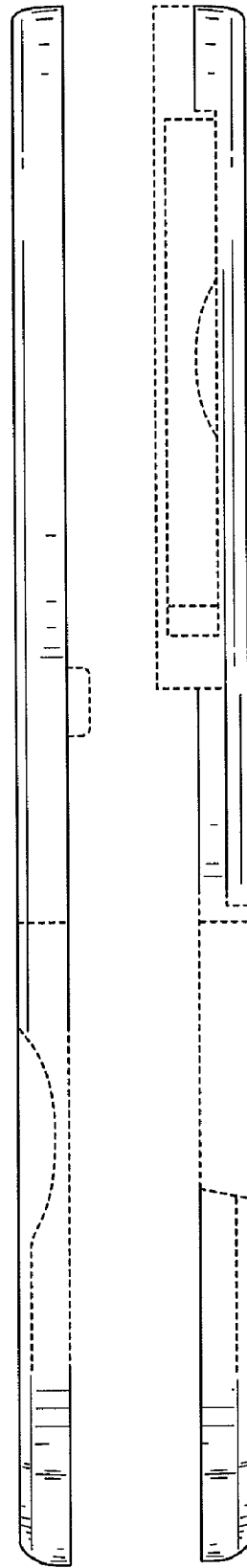
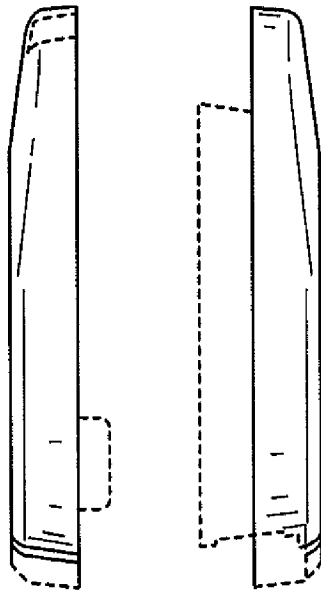
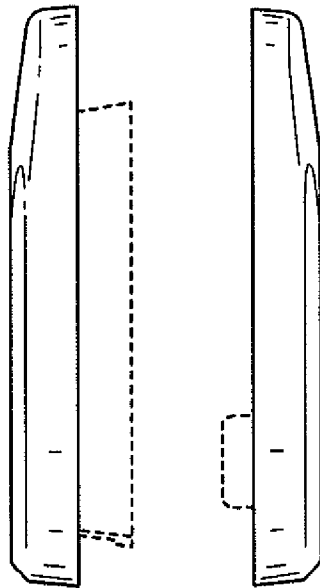


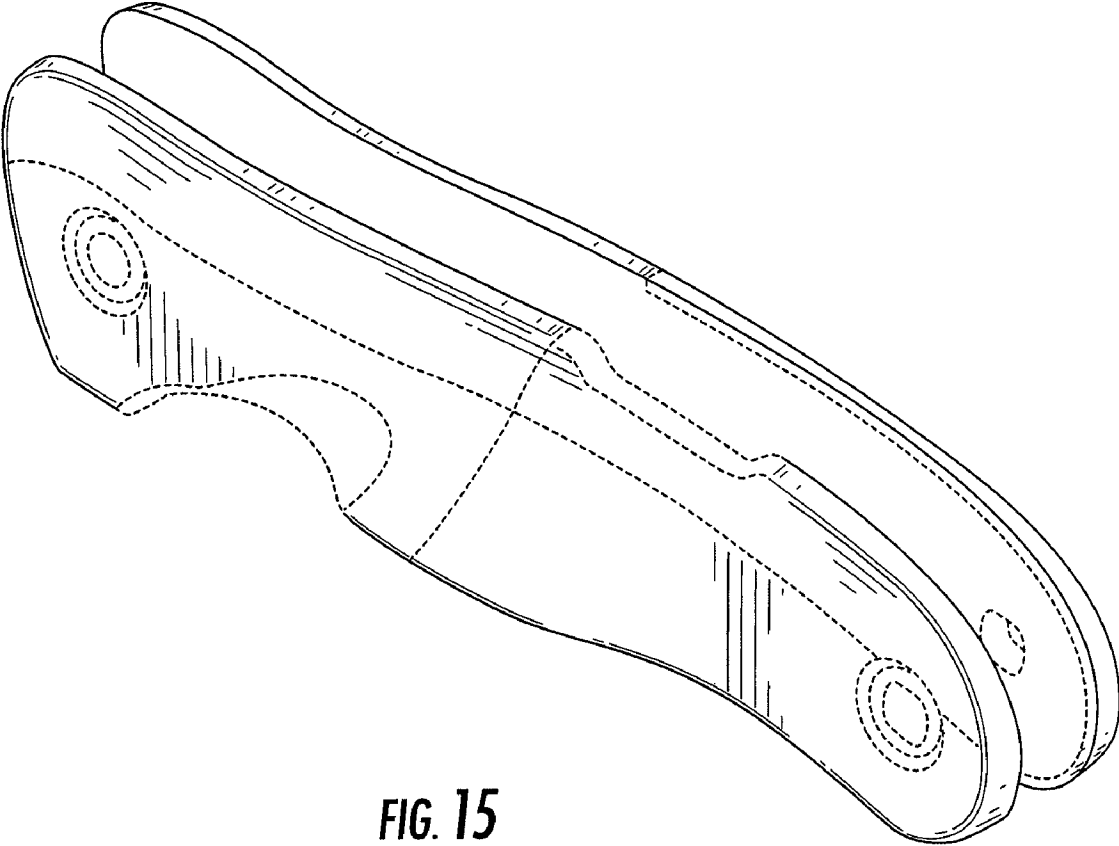
FIG. 12



**FIG. 13**



**FIG. 14**



**FIG. 15**

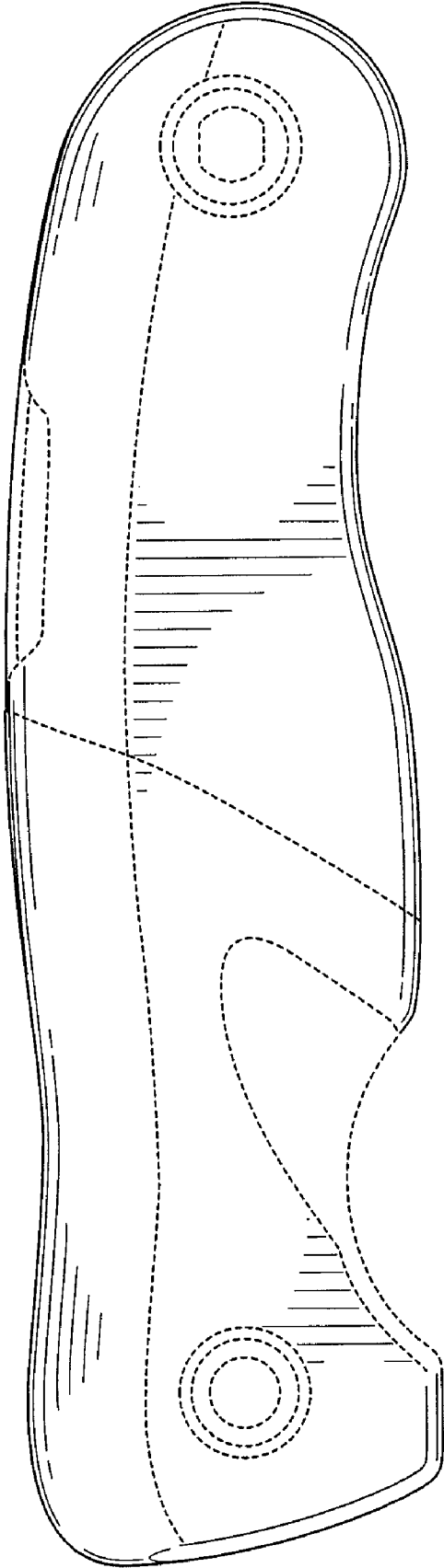


FIG. 16

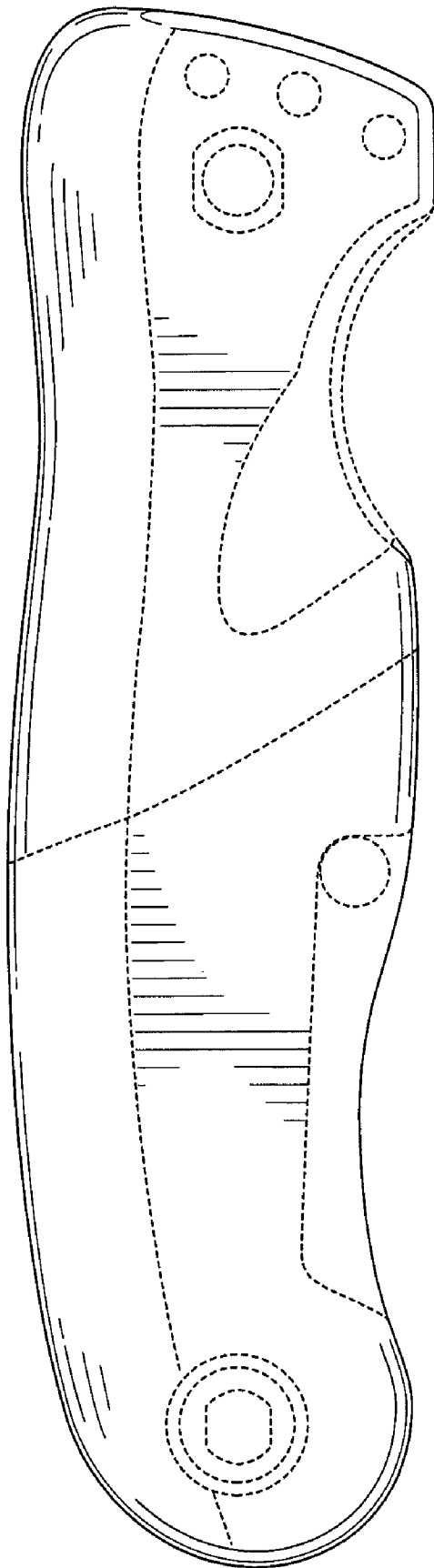


FIG. 17

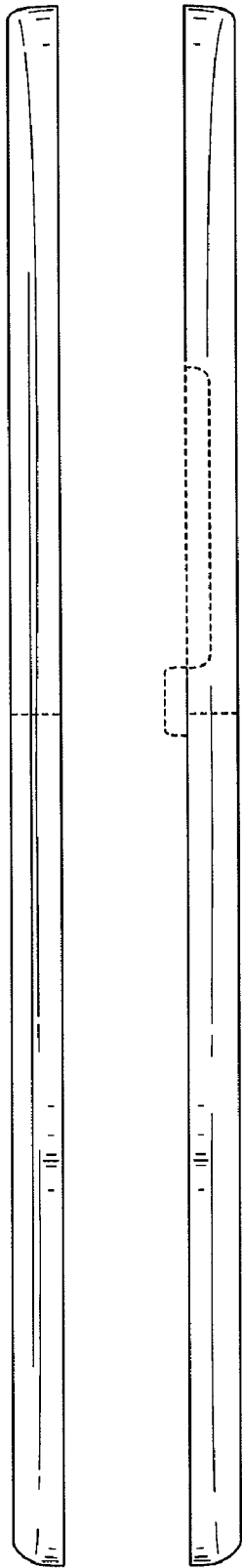


FIG. 18

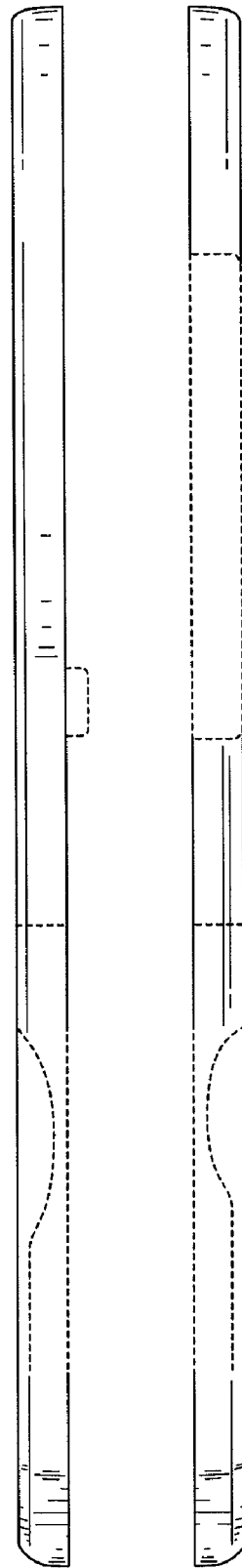
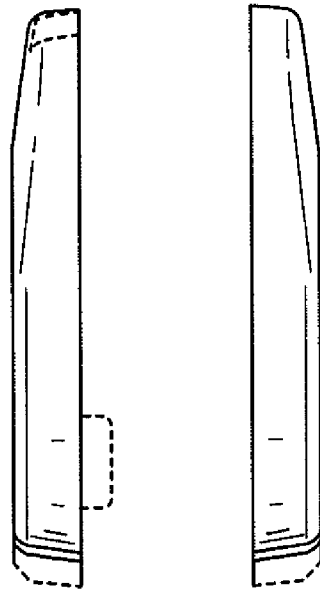
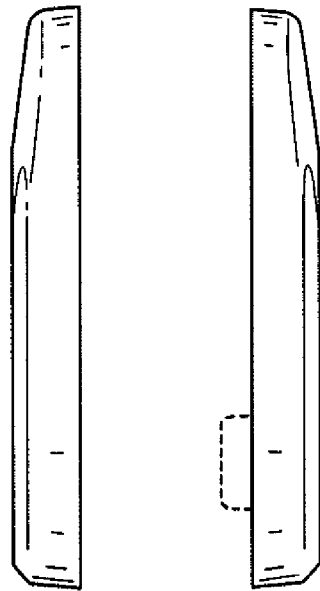


FIG. 19





**FIG. 20**



**FIG. 21**