



US00D501127S

(12) **United States Design Patent**
Rivera et al.

(10) **Patent No.:** **US D501,127 S**
(45) **Date of Patent:** **** Jan. 25, 2005**

(54) **HANDLE FOR A FOLDING MULTIPURPOSE HAND TOOL, WITH MARGIN INSERTS AND LATCH LEVER**

D405,675 S 2/1999 Rivera
D405,676 S 2/1999 Rivera
D406,508 S 3/1999 Rivera

(List continued on next page.)

(75) Inventors: **Benjamin C. Rivera**, West Linn, OR (US); **Hollan A. Tsuda**, Portland, OR (US); **Nathan E. Knight**, Portland, OR (US); **Melissa C. Yale**, Portland, OR (US); **Glenn Klecker**, Silverton, OR (US)

Primary Examiner—Clare E Heflin
(74) *Attorney, Agent, or Firm*—Chernoff, Vilhauer, McClung & Stenzel, LLP

(73) Assignee: **Leatherman Tool Group, Inc.**, Portland, OR (US)

(57) **CLAIM**

The ornamental design for a handle for a folding multipurpose hand tool, with margin inserts and latch lever, as shown and described.

(**) Term: **14 Years**

DESCRIPTION

(21) Appl. No.: **29/197,321**

(22) Filed: **Jan. 13, 2004**

(51) **LOC (7) Cl.** **08-05**

(52) **U.S. Cl.** **D8/107; D8/55**

(58) **Field of Search** D8/54–56, 99, D8/105, 107; 7/118, 119, 125–135, 158, 163–166, 168; 30/160, 161; 81/427.5, 440

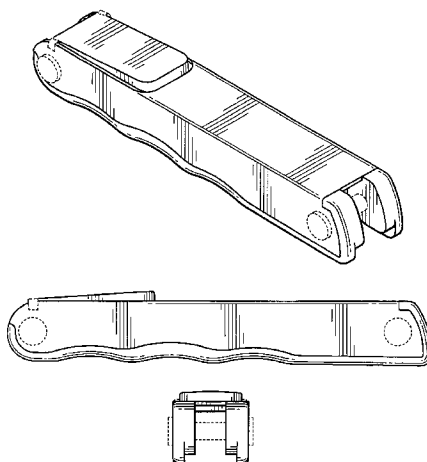
FIG. 1 is an isometric view from the upper right front of a handle for a folding multipurpose hand tool, with margin inserts and latch lever, including our new design, wherein portions of a blade latch mechanism and portions of pivot pins shown in broken line are included merely for illustrative purposes and form no part of the claimed design; FIG. 2 is a right side elevational view thereof, the left side elevational view being a mirror image of the right side elevational view, wherein the portions of a blade latch mechanism and portions of pivot pins shown in broken line are included merely for illustrative purposes and form no part of the claimed design; FIG. 3 is a top plan view thereof, wherein the portions of a blade latch mechanism and portions of pivot pins shown in broken line are included merely for illustrative purposes and form no part of the claimed design; FIG. 4 is a bottom plan view thereof, wherein the portions of pivot pins shown in broken line are included merely for illustrative purposes and form no part of the claimed design; FIG. 5 is a front end elevational view thereof, wherein the portions of a blade latch mechanism and portions of a pivot pin shown in broken line are included merely for illustrative purposes and form no part of the claimed design; and, FIG. 6 is a rear end elevational view thereof, wherein the portions of a blade latch mechanism and portions of a pivot pin shown in broken line are included merely for illustrative purposes and form no part of the claimed design.

(56) **References Cited**

U.S. PATENT DOCUMENTS

1,362,143	A	*	12/1920	Rohrer	30/161
2,869,232	A		1/1959	Kivela		
3,783,509	A		1/1974	Lake		
D280,179	S		8/1985	Miceli		
4,744,272	A		5/1988	Leatherman		
5,111,581	A		5/1992	Collins		
D344,006	S		2/1994	Glesser		
D356,019	S		3/1995	Sakai		
D367,807	S		3/1996	Hung		
D368,634	S		4/1996	Frazer		
D373,521	S		9/1996	Applegate et al.		
5,564,318	A		10/1996	Pail		
D382,190	S		8/1997	Blackston et al.		
D384,872	S		10/1997	Yeh		
D385,170	S		10/1997	Rivera		
5,711,194	A		1/1998	Anderson et al.		
D398,209	S		9/1998	Rivera		
D398,213	S		9/1998	Rivera		

1 Claim, 2 Drawing Sheets



US D501,127 S

Page 2

U.S. PATENT DOCUMENTS

D406,509 S	3/1999	Rivera		D447,401 S	9/2001	Rivera	
D407,004 S	3/1999	Hull et al.		6,282,996 B1	9/2001	Berg et al.	
D408,238 S	4/1999	Rivera		6,305,041 B1	10/2001	Montague et al.	
D419,418 S	* 1/2000	Lin D8/105	6,389,625 B1	5/2002	Rivera	
D427,501 S	7/2000	Rivera		6,427,334 B2	8/2002	Onion	
D435,776 S	1/2001	Veltz et al.		D468,987 S	* 1/2003	Dreyfus et al. D8/105
D436,514 S	1/2001	Rivera		6,510,767 B1	1/2003	Rivera	
D445,009 S	7/2001	Rivera		D470,031 S	2/2003	Rivera	
D446,708 S	8/2001	Rivera		D470,032 S	2/2003	Rivera	
D446,709 S	8/2001	Rivera		D470,372 S	2/2003	Rivera	
D447,039 S	8/2001	Rivera		D474,670 S	5/2003	Rivera	
D447,041 S	8/2001	Rivera					

* cited by examiner

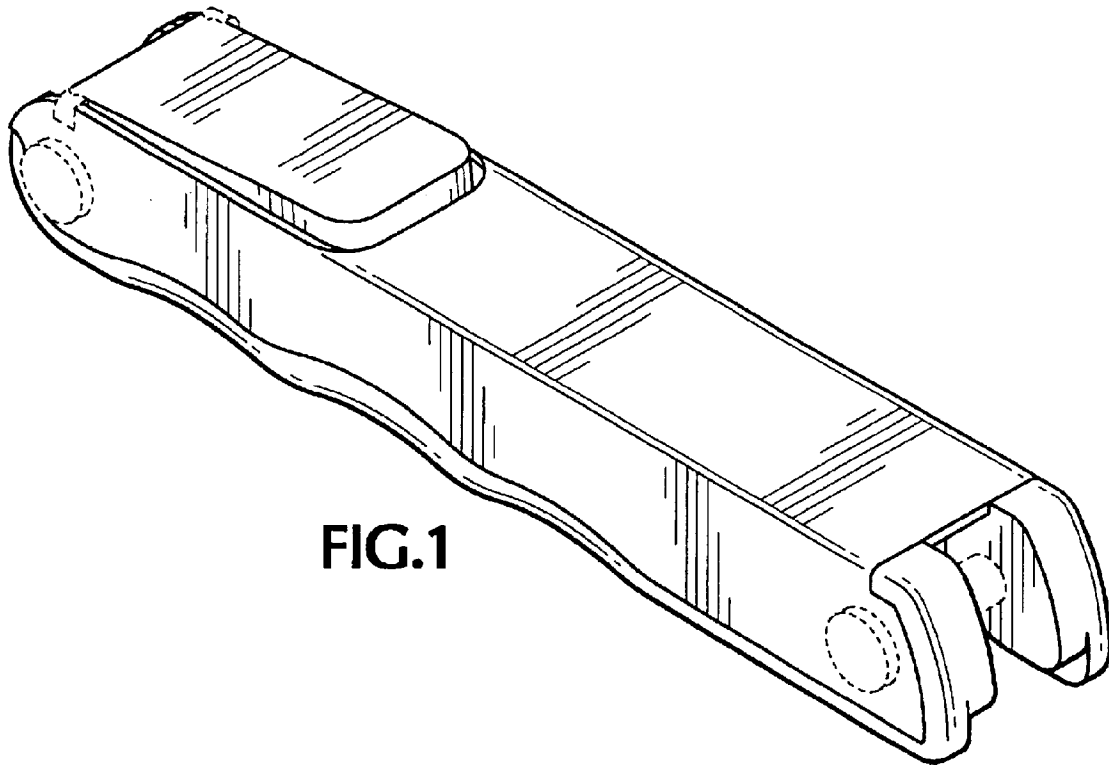


FIG. 1

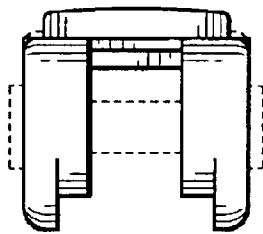


FIG. 5

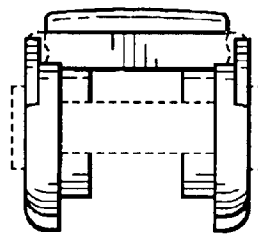


FIG. 6

FIG.2

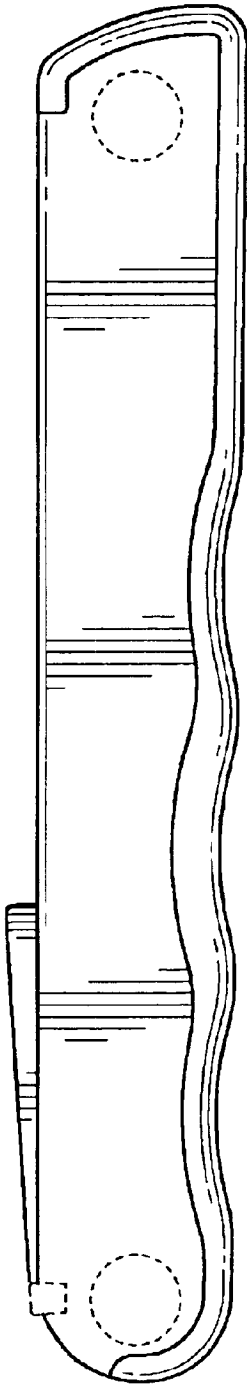


FIG.3

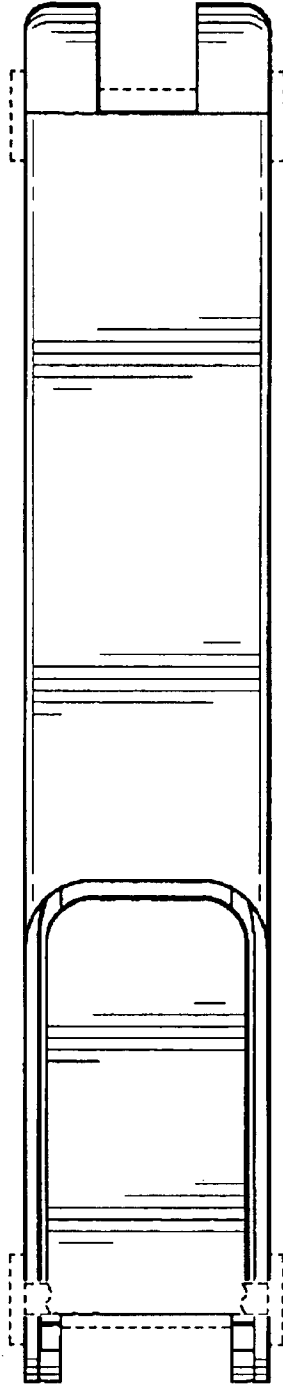


FIG.4

