



US00D497095S1

(12) **United States Design Patent** (10) Patent No.: **US D497,095 S**  
**Rivera et al.** (45) Date of Patent: **\*\* Oct. 12, 2004**

(54) **SIDE PLATE FOR A HANDLE, WITH AN INDENTED AREA**

Primary Examiner—Clare E Heflin  
(74) Attorney, Agent, or Firm—Chernoff, Vilhauer, McClung & Stenzel, LLP

(75) Inventors: **Benjamin C. Rivera**, West Linn, OR (US); **Hollan A. Tsuda**, Portland, OR (US); **Nathan E. Knight**, Portland, OR (US); **Melissa C. Yale**, Portland, OR (US); **Glenn Klecker**, Silverton, OR (US)

(57) **CLAIM**

The ornamental design for a side plate for a handle, with an indented area, as shown and described.

(73) Assignee: **Leatherman Tool Group, Inc.**, Portland, OR (US)

**DESCRIPTION**

(\*\*) Term: **14 Years**

FIG. 1 is an isometric view from the upper left front of a side plate for a handle, with an indented area, including our new design, wherein portions of pivot pins and portions of a tool handle shown in broken line are included merely for illustrative purposes and form no part of the claimed design;

(21) Appl. No.: **29/197,324**

FIG. 2 is a top plan view of the side plate for a tool handle shown in FIG. 1;

(22) Filed: **Jan. 13, 2004**

(51) LOC (7) Cl. .... **08-05**

FIG. 3 is a front end elevational view thereof;

(52) U.S. Cl. .... **D8/107; D8/105**

FIG. 4 is a left, or outer, side elevational view thereof, wherein countersunk holes for pivot pins shown in broken line are included merely for illustrative purposes and form no part of the claimed design;

(58) Field of Search ..... D8/54-56, 99, D8/105, 107; 7/118, 119, 125-135, 158, 163-166, 168; 30/160, 161; 81/427.5, 440

FIG. 5 is a rear end elevational view thereof;

(56) **References Cited**

U.S. PATENT DOCUMENTS

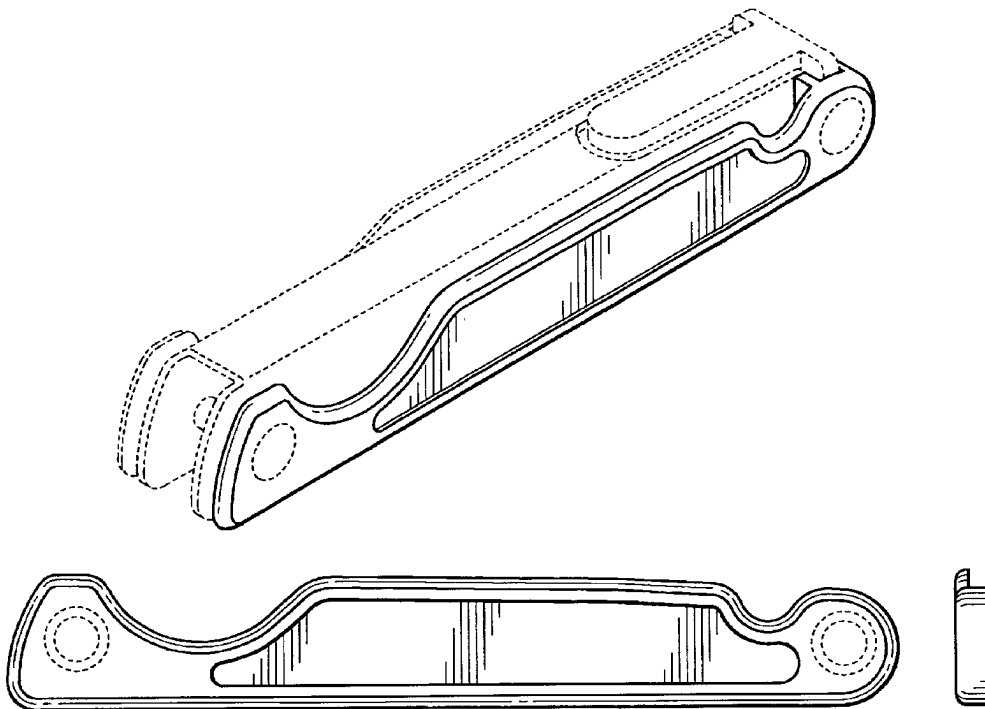
FIG. 6 is a bottom plan view thereof; and,

FIG. 7 is a right, or inner, side elevational view thereof, wherein holes for pivot pins shown in broken line are included merely for illustrative purposes and form no part of the claimed design.

3,783,509 A 1/1974 Lake  
D280,179 S 8/1985 Miceli  
4,744,272 A 5/1988 Leatherman  
5,111,581 A 5/1992 Collins

(List continued on next page.)

**1 Claim, 2 Drawing Sheets**



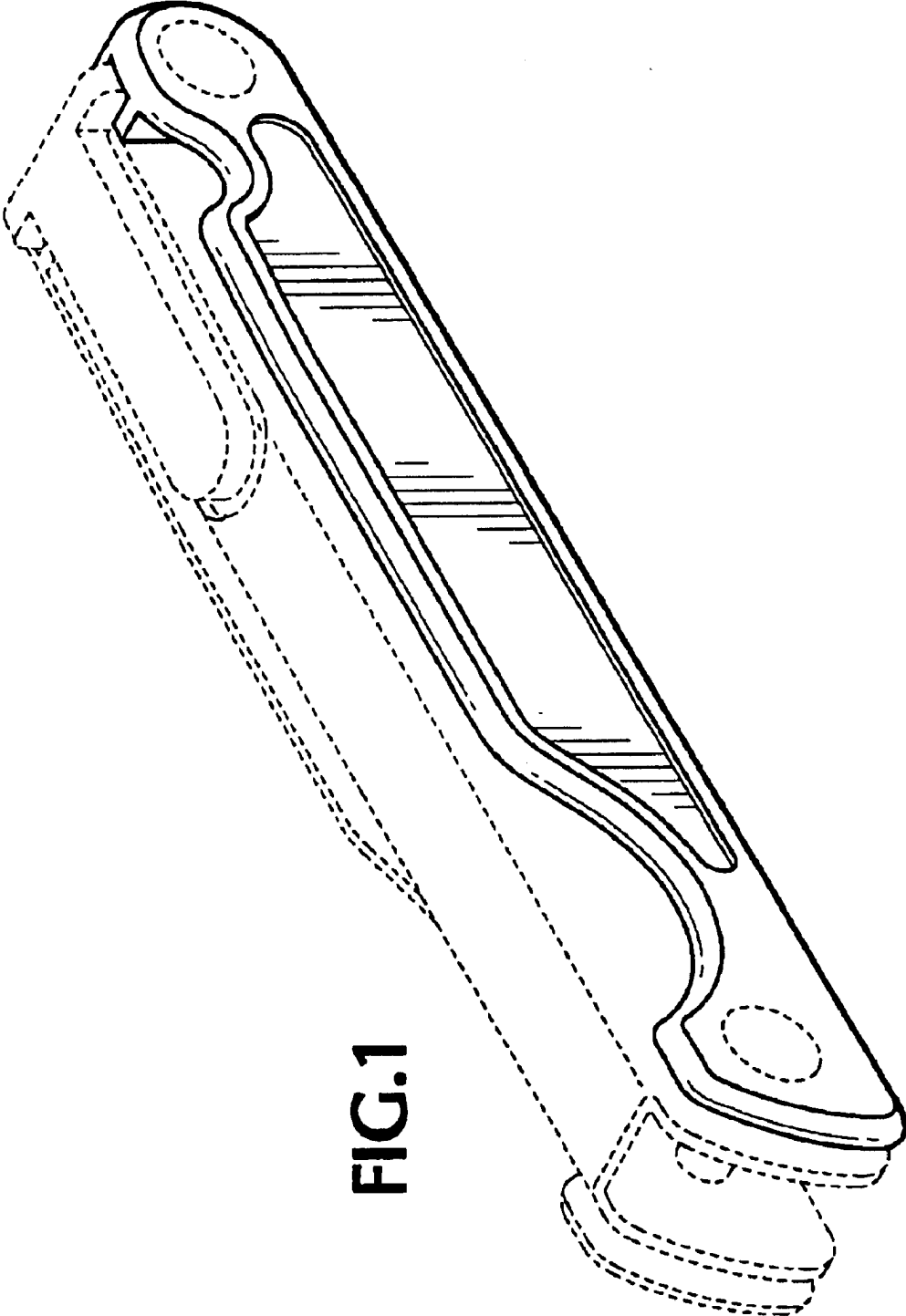
# US D497,095 S

Page 2

## U.S. PATENT DOCUMENTS

|             |   |         |                  |        |              |         |                 |                             |
|-------------|---|---------|------------------|--------|--------------|---------|-----------------|-----------------------------|
| D332,384 S  | * | 1/1993  | Dague .....      | D8/105 | D427,501 S   | 7/2000  | Rivera          |                             |
| D344,006 S  |   | 2/1994  | Glesser          |        | D436,514 S   | *       | 1/2001          | Rivera ..... D8/105         |
| D356,019 S  |   | 3/1995  | Sakai            |        | D445,009 S   |         | 7/2001          | Rivera                      |
| D357,166 S  | * | 4/1995  | Concari .....    | D8/107 | D446,708 S   |         | 8/2001          | Rivera                      |
| D367,807 S  |   | 3/1996  | Hung             |        | D446,709 S   |         | 8/2001          | Rivera                      |
| D368,634 S  |   | 4/1996  | Frazer           |        | D447,039 S   |         | 8/2001          | Rivera                      |
| D373,521 S  |   | 9/1996  | Applegate et al. |        | D447,041 S   |         | 8/2001          | Rivera                      |
| D382,190 S  |   | 8/1997  | Blackston et al. |        | D447,401 S   |         | 9/2001          | Rivera                      |
| D384,872 S  |   | 10/1997 | Yeh              |        | 6,282,996 B1 |         | 9/2001          | Berg et al.                 |
| D385,170 S  |   | 10/1997 | Rivera           |        | 6,305,041 B1 | 10/2001 | Montague et al. |                             |
| 5,711,194 A |   | 1/1998  | Anderson         |        | 6,318,218 B1 | *       | 11/2001         | Anderson et al. .... 81/440 |
| D398,209 S  |   | 9/1998  | Rivera           |        | 6,427,334 B2 |         | 8/2002          | Onion                       |
| D398,213 S  |   | 9/1998  | Rivera           |        | D470,031 S   |         | 2/2003          | Rivera                      |
| D405,675 S  |   | 2/1999  | Rivera           |        | D470,032 S   |         | 2/2003          | Rivera                      |
| D405,676 S  |   | 2/1999  | Rivera           |        | D470,372 S   |         | 2/2003          | Rivera                      |
| D406,508 S  |   | 3/1999  | Rivera           |        | D474,670 S   |         | 5/2003          | Rivera                      |
| D406,509 S  |   | 3/1999  | Rivera           |        | D479,788 S   | *       | 9/2003          | Ocklenburg ..... D8/105     |
| D407,004 S  |   | 3/1999  | Hull et al.      |        | 6,622,328 B2 | *       | 9/2003          | Rivera ..... 7/128          |
| D408,238 S  |   | 4/1999  | Rivera           |        | 6,625,832 B2 | *       | 9/2003          | Montague et al. .... 7/128  |
| 6,003,180 A | * | 12/1999 | Frazer .....     | 7/128  |              |         |                 |                             |

\* cited by examiner



**FIG.1**



FIG. 2



FIG. 5

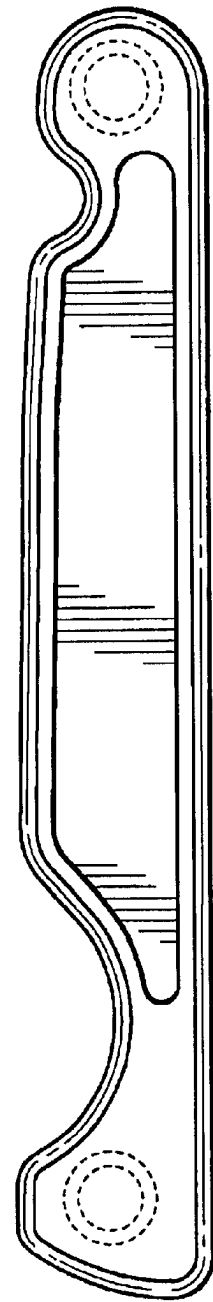


FIG. 4



FIG. 3



FIG. 6

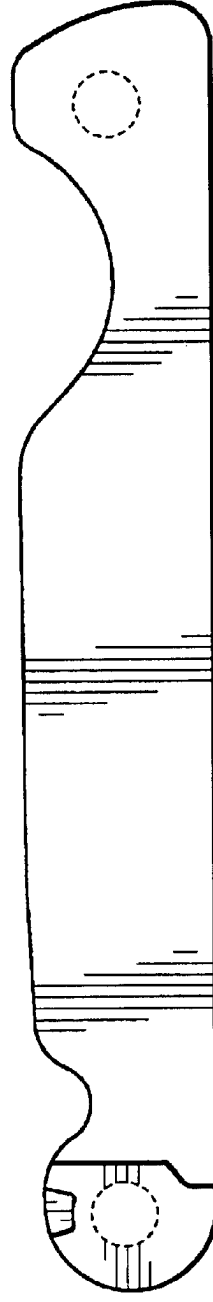


FIG. 7