



US00D497791S1

(12) **United States Design Patent** (10) **Patent No.:** **US D497,791 S**
Rivera et al. (45) **Date of Patent:** **** Nov. 2, 2004**

- (54) **HANDLE FOR A MULTIPURPOSE HAND TOOL**
- (75) Inventors: **Benjamin C. Rivera**, West Linn, OR (US); **Hollan A. Tsuda**, Portland, OR (US); **Nathan E. Knight**, Portland, OR (US); **Melissa C. Yale**, Portland, OR (US); **Glenn Klecker**, Silverton, OR (US)

- (73) Assignee: **Leatherman Tool Group, Inc.**, Portland, OR (US)
- (**) Term: **14 Years**

(21) Appl. No.: **29/197,326**

(22) Filed: **Jan. 13, 2004**

- (51) **LOC (7) Cl.** **08-05**
- (52) **U.S. Cl.** **D8/107; D8/105**
- (58) **Field of Search** **D8/54-56, 99, D8/105, 107; 30/160, 161; 81/427.5, 440; 7/118, 119, 125-135, 158, 163-166, 168**

(56) **References Cited**

U.S. PATENT DOCUMENTS

2,869,232 A	1/1959	Kivela	
3,783,509 A	1/1974	Lake	
D280,179 S	8/1985	Miceli	
4,744,272 A	5/1988	Leatherman	
5,111,581 A	5/1992	Collins	
D332,384 S	* 1/1993	Dague D8/105
D344,006 S	2/1994	Glesser	
D356,019 S	3/1995	Sakai	
D357,166 S	* 4/1995	Concari D8/107
D367,807 S	3/1996	Hung	
D368,634 S	4/1996	Frazer	
D373,521 S	9/1996	Applegate et al.	
D382,190 S	8/1997	Blackston et al.	

(List continued on next page.)

Primary Examiner—Clare E Heflin
(74) *Attorney, Agent, or Firm*—Chernoff, Vilhauer, McClung & Stenzel, LLP

(57) **CLAIM**

The ornamental design for a handle for a multipurpose hand tool, as shown and described.

DESCRIPTION

FIG. 1 is an isometric view from the upper right front of a handle for a multipurpose hand tool including our new design, wherein the heads of pivot pins and portions of a blade latch mechanism shown in broken line are included merely for illustrative purposes and form no part of the claimed design;

FIG. 2 is a right side elevational view thereof, wherein the heads of pivot pins and portions of a blade latch mechanism shown in broken line are included merely for illustrative purposes and form no part of the claimed design;

FIG. 3 is a top plan view thereof, wherein the portions of pivot pins and of a blade latch mechanism shown in broken line are included merely for illustrative purposes and form no part of the claimed design;

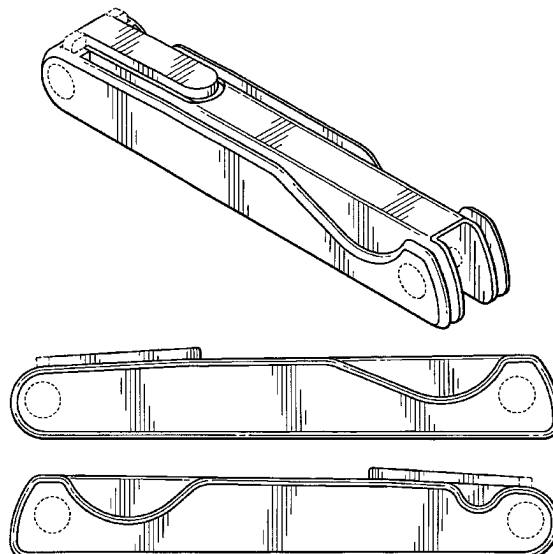
FIG. 4 is a bottom plan view thereof, wherein the portions of pivot pins and of a blade latch mechanism shown in broken line are included merely for illustrative purposes and form no part of the claimed design;

FIG. 5 is a left side elevational view thereof, wherein the heads of pivot pins and portions of a blade latch mechanism shown in broken line are included merely for illustrative purposes and form no part of the claimed design;

FIG. 6 is a rear end elevational view thereof, wherein the portions of a blade latch mechanism shown in broken line are included merely for illustrative purposes and form no part of the claimed design; and,

FIG. 7 is a front end elevational view thereof, wherein the portions of a blade latch mechanism shown in broken line are included merely for illustrative purposes and form no part of the claimed design.

1 Claim, 2 Drawing Sheets



US D497,791 S

Page 2

U.S. PATENT DOCUMENTS

D384,872 S	10/1997	Yeh	
D385,170 S	10/1997	Rivera	
5,711,194 A	1/1998	Anderson	
D398,209 S	9/1998	Rivera	
D398,213 S	9/1998	Rivera	
D405,675 S	2/1999	Rivera	
D405,676 S	2/1999	Rivera	
D406,508 S	3/1999	Rivera	
D406,509 S	3/1999	Rivera	
D407,004 S	3/1999	Hull et al.	
D408,238 S	4/1999	Rivera	
6,003,180 A	* 12/1999	Frazer	7/128
D427,501 S	7/2000	Rivera	
D436,514 S	* 1/2001	Rivera	D8/105
D445,009 S	7/2001	Rivera	
D446,708 S	8/2001	Rivera	
D446,709 S	8/2001	Rivera	
D447,039 S	8/2001	Rivera	
D447,041 S	8/2001	Rivera	
D447,401 S	9/2001	Rivera	
6,282,996 B1	9/2001	Berg et al.	
6,305,041 B1	10/2001	Montague et al.	
6,318,218 B1	* 11/2001	Anderson et al.	81/440
6,427,334 B2	8/2002	Onion	
D470,031 S	2/2003	Rivera	
D470,032 S	2/2003	Rivera	
D470,372 S	2/2003	Rivera	
D474,670 S	5/2003	Rivera	
D479,788 S	* 9/2003	Ocklenburg	D8/105
6,622,328 B2	* 9/2003	Rivera	7/128
6,625,832 B2	* 9/2003	Montague et al.	7/128

* cited by examiner

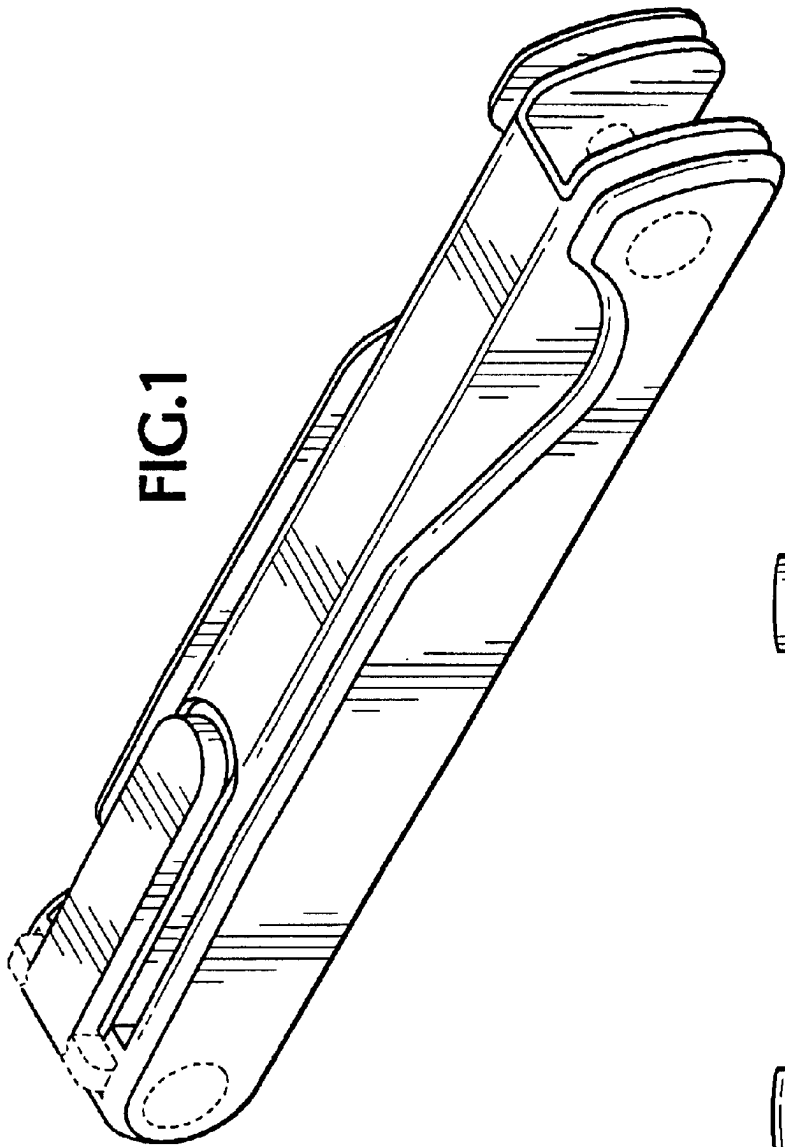


FIG. 1

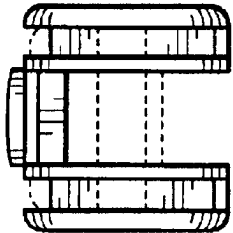


FIG. 7

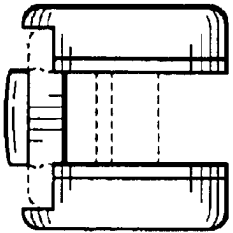


FIG. 6

FIG.2

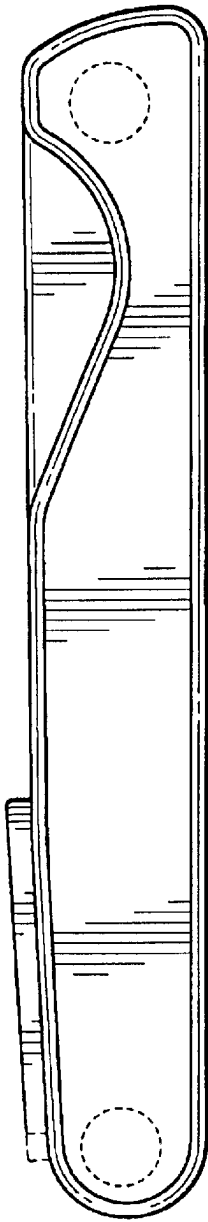


FIG.3

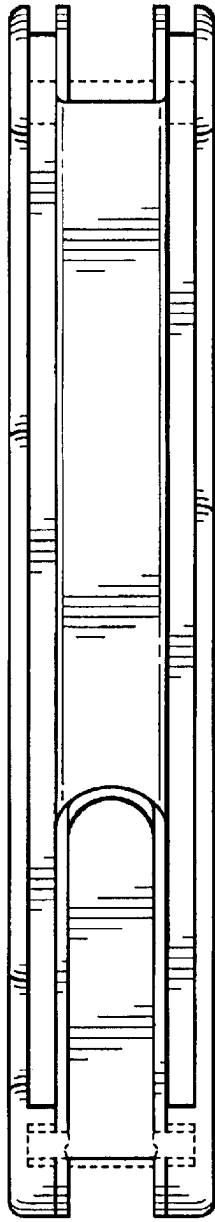


FIG.4

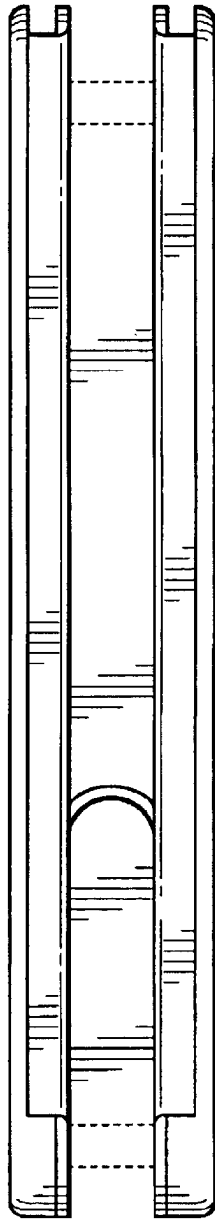


FIG.5

