



US00D635003S

(12) **United States Design Patent**
Rivera et al.

(10) **Patent No.:** **US D635,003 S**

(45) **Date of Patent:** **** Mar. 29, 2011**

(54) **HAND TOOL**

(75) Inventors: **Benjamin C. Rivera**, Lake Oswego, OR (US); **Jeffrey L. Caniparoli**, Milwaukie, OR (US); **Jeffrey B. Castro**, Portland, OR (US); **Blair Scott Barnes**, Portland, OR (US)

(73) Assignee: **Leatherman Group, Inc.**, Portland, OR (US)

(**) Term: **14 Years**

(21) Appl. No.: **29/352,326**

(22) Filed: **Dec. 18, 2009**

(51) **LOC (9) Cl.** **08-05**

(52) **U.S. Cl.** **D8/105; D8/331**

(58) **Field of Classification Search** D8/105, D8/99, 394, 356, 344, 343, 342, 331, 98, D8/20; 30/161, 164, 153, 152, 294; 7/118, 7/125-135, 138, 143, 164; 81/177.1, 177.2, 81/177.6; D11/216; D22/118

See application file for complete search history.

(56) **References Cited**

U.S. PATENT DOCUMENTS

D33,499	S	*	11/1900	Norris	D8/394
D266,395	S	*	10/1982	Miller	D8/343
D283,672	S	*	5/1986	Greco	D8/331
4,680,861	A	*	7/1987	Meurer	30/298.4
D329,799	S	*	9/1992	Conklin	D8/331
5,212,844	A		5/1993	Sessions et al.		
D371,498	S		7/1996	Lai		
5,564,318	A		10/1996	Pail		
D377,446	S	*	1/1997	Ford et al.	D8/331
5,664,274	A		9/1997	Collins		
5,689,886	A		11/1997	Yeh		
D392,519	S		3/1998	Hung		
5,815,930	A	*	10/1998	Kojima	30/294
D406,508	S		3/1999	Rivera		
D414,092	S		9/1999	Chang		
D414,387	S		9/1999	Hung		
6,003,180	A		12/1999	Frazer		

6,009,582	A		1/2000	Harrison et al.		
D424,406	S	*	5/2000	Frey	D8/331
D426,446	S		6/2000	Chau		
D427,501	S	*	7/2000	Berg et al.	D8/105
D429,621	S	*	8/2000	Rivera	D8/343
6,223,374	B1		5/2001	Lin		

(Continued)

OTHER PUBLICATIONS

Multi Tools 14-in-1 Hammer Tool [online] [retrieved Jan. 25, 2010]. Retrieved from the internet: <URL: http://greatnecksaw.com/product_info.php?pName=14in1-hammer-tool&cName=all-purpo...>. 2 pages.

(Continued)

Primary Examiner — Austin Murphy

(74) *Attorney, Agent, or Firm* — Alston & Bird LLP

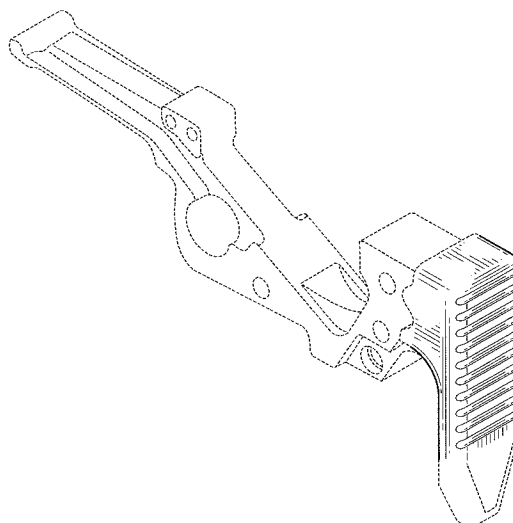
(57) **CLAIM**

The ornamental design for a hand tool, as shown and described.

DESCRIPTION

FIG. 1 is a perspective view of a hand tool according to our new design;
FIG. 2 is a left side elevation view thereof;
FIG. 3 is a right side elevation view thereof;
FIG. 4 is a top plan view thereof;
FIG. 5 is a bottom plan view thereto;
FIG. 6 is a front elevation view thereof;
FIG. 7 is a rear elevation view thereof;
FIG. 8 is a right side elevation view thereof, shown in the environment of a complete hand tool, shown in a closed configuration; and,
FIG. 9 is a left side elevation view thereof, shown in the environment of a complete hand tool, shown in an open configuration.
The broken lines shown in the drawings represent unclaimed portions of the hand tool that form no part of the claimed design.

1 Claim, 7 Drawing Sheets



US D635,003 S

Page 2

U.S. PATENT DOCUMENTS

D444,371	S *	7/2001	Leonowich	D8/331	7,406,896	B2	8/2008	Rivera	
D445,326	S	7/2001	Alfaro		D578,847	S *	10/2008	Mashburn	D8/20
6,282,997	B1	9/2001	Frazer		D592,931	S	5/2009	Nenadic	
6,289,768	B1	9/2001	Anderson et al.		7,568,408	B2	8/2009	Tsuda	
6,293,018	B1	9/2001	Rivera		7,596,870	B2	10/2009	Klecker et al.	
D455,629	S	4/2002	Ping		7,607,231	B2	10/2009	Klecker et al.	
6,389,626	B1	5/2002	Hung		D607,298	S *	1/2010	Lucas	D8/98
D468,993	S *	1/2003	Dilgard et al.	D8/343	7,730,811	B2	6/2010	Robinson et al.	
D469,328	S	1/2003	Ping		2001/0014986	A1	8/2001	Harrison	
D469,681	S *	2/2003	Votruba et al.	D8/343					
D488,700	S *	4/2004	Montague	D8/331					
D494,840	S *	8/2004	Senn	D8/344					
D503,328	S *	3/2005	Catlett	D8/342					
7,028,591	B2	4/2006	Dallas et al.						
7,051,627	B2	5/2006	Rivera						
D528,396	S *	9/2006	Knight	D8/99					
D541,618	S	5/2007	Klecker						
7,347,128	B2	3/2008	Rivera et al.						
7,353,736	B2	4/2008	Poehlmann						
7,363,669	B2	4/2008	Berg et al.						
D573,009	S *	7/2008	Nenadic	D8/356					

OTHER PUBLICATIONS

eFEET™, Speciality Tools, 2010 Gerber Military Product Catalog, Jun. 1, 2009, p. 16.

Tool [online] [retrieved Apr. 16, 2010]. Retrieved from the internet: <URL: <http://images.overstock.com/f/102/3117/8h/www.overstock.com/images/products/L12356101.jpg>>. 1 page.

Tool [online] [retrieved Apr. 16, 2010]. Retrieved from the internet: <URL: <http://images.solidcactus.com/autobarn/premium-14-in-1-multi-tool.jpg>>. 1 page.

* cited by examiner

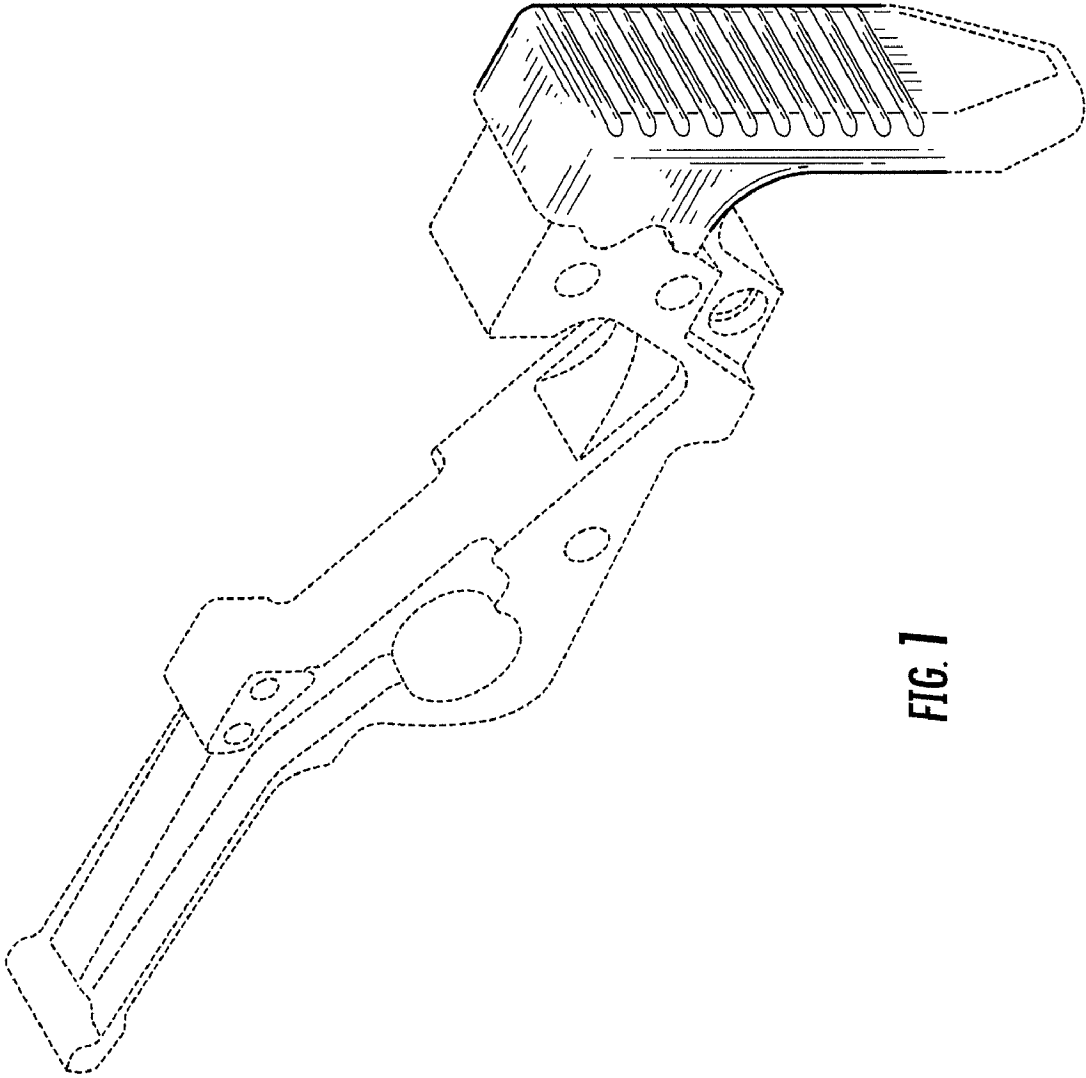


FIG. 1

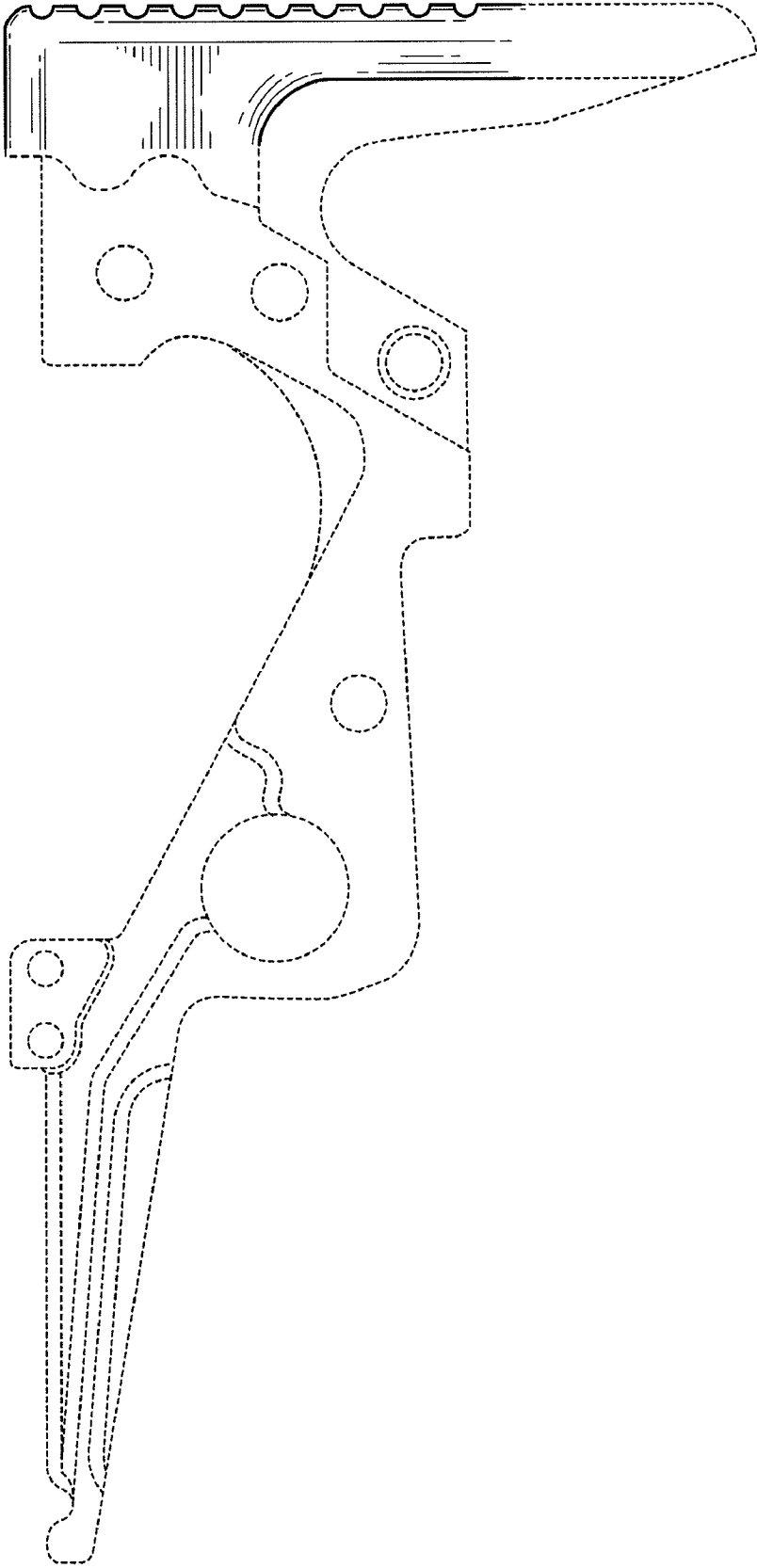


FIG. 2

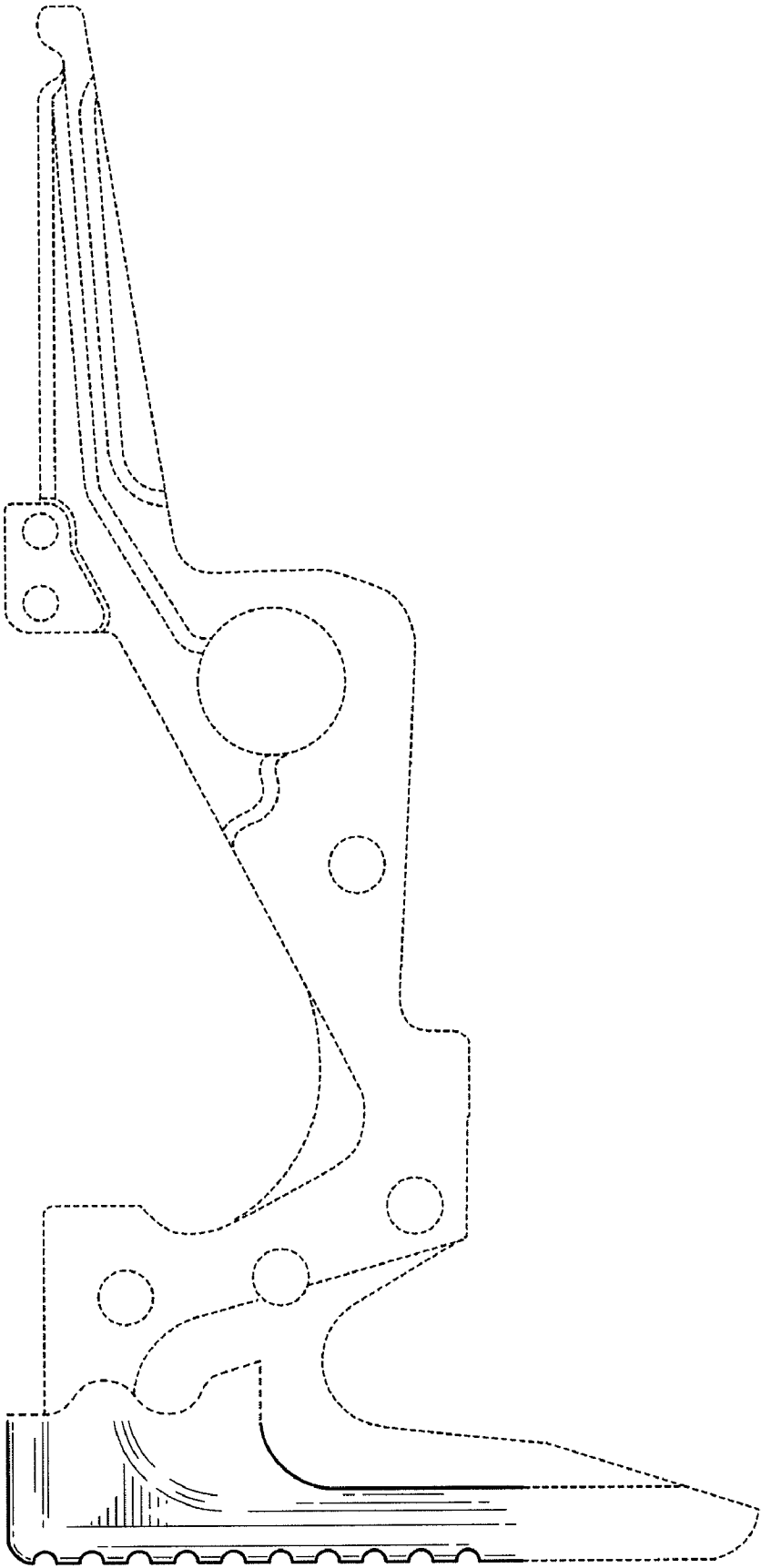


FIG. 3

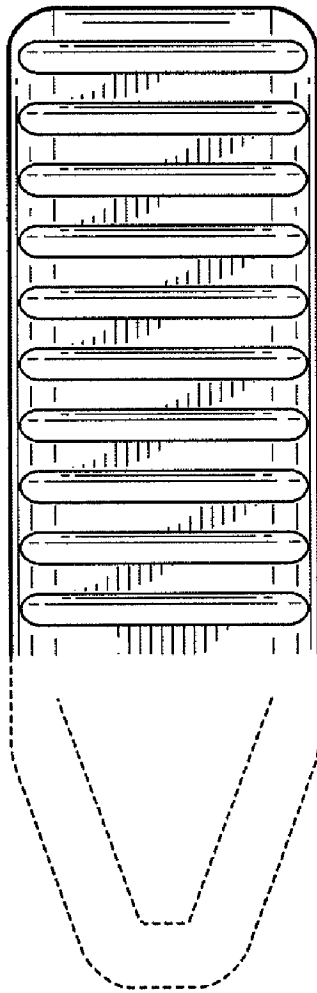


FIG. 4

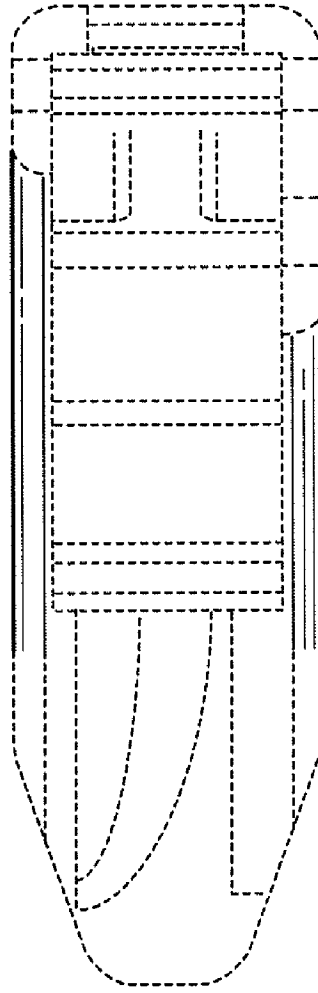


FIG. 5

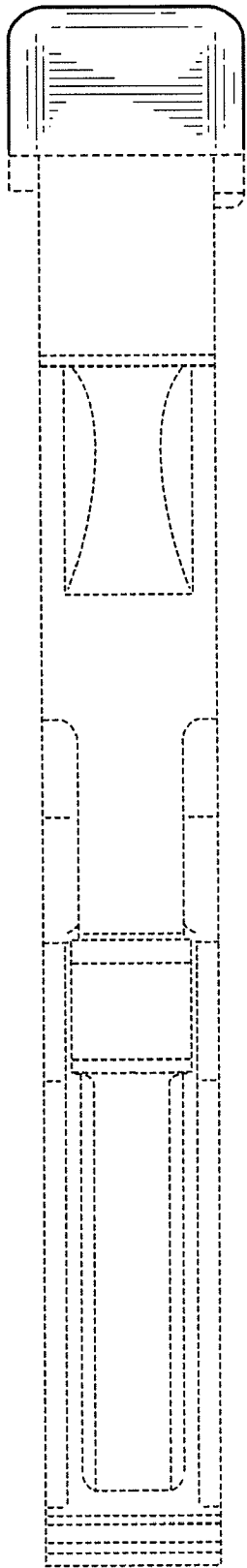


FIG. 6

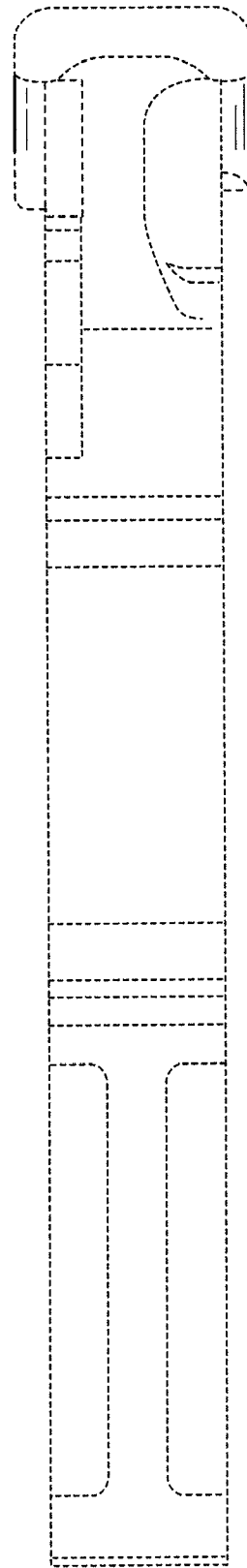


FIG. 7

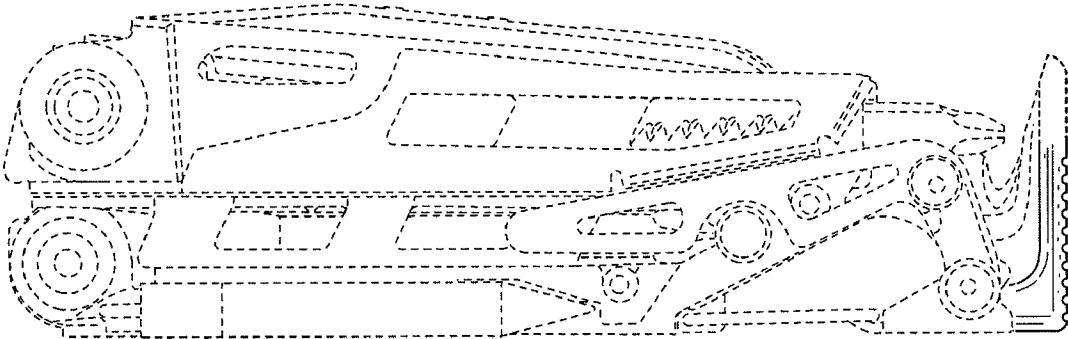


FIG. 8

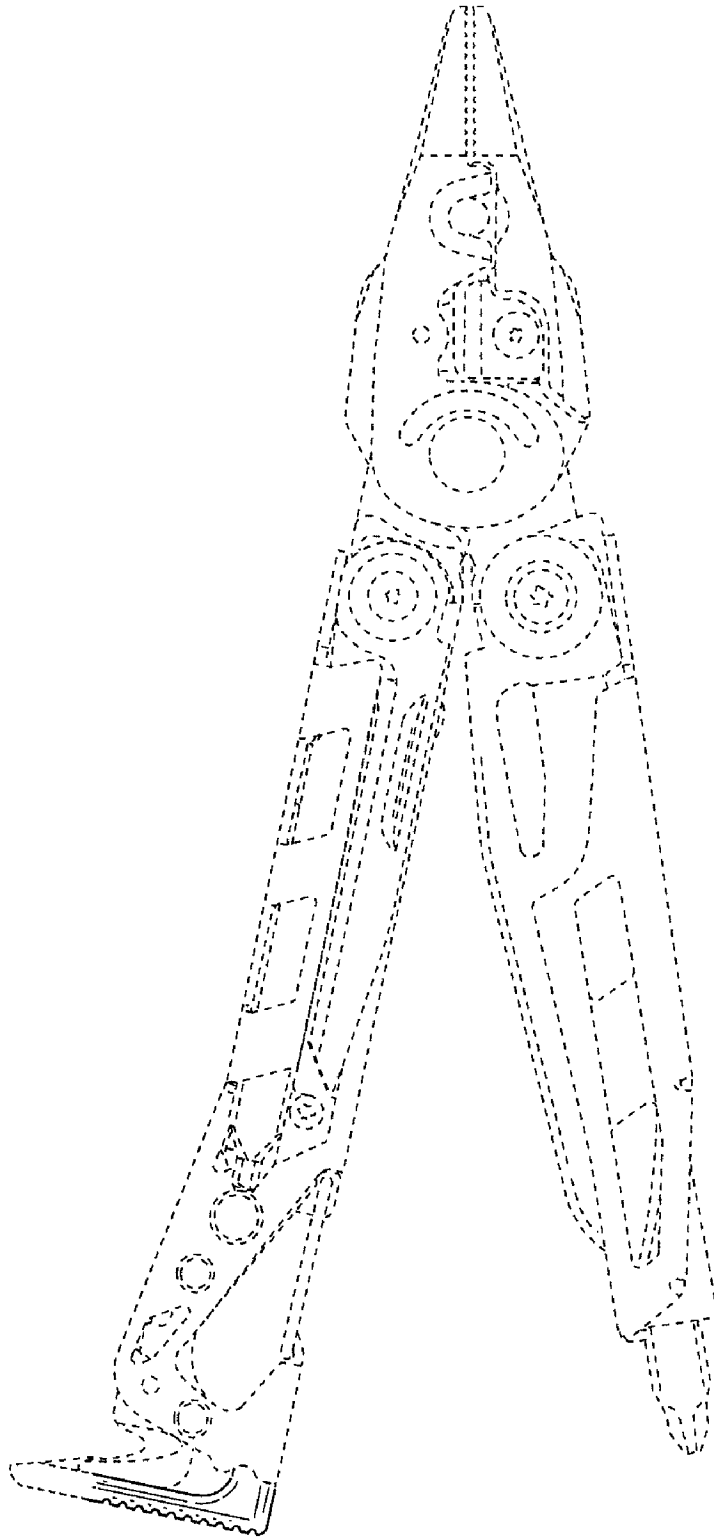


FIG. 9