



US00D497532S1

(12) **United States Design Patent** (10) Patent No.: **US D497,532 S**
Rivera et al. (45) Date of Patent: **** Oct. 26, 2004**

(54) **FOLDED MULTIPURPOSE HAND TOOL**
(75) Inventors: **Benjamin C. Rivera**, West Linn, OR
(US); **Hollan A. Tsuda**, Portland, OR
(US); **Nathan E. Knight**, Portland, OR
(US); **Melissa C. Yale**, Portland, OR
(US); **Glenn Klecker**, Silverton, OR
(US)

D406,509 S 3/1999 Rivera
D407,004 S 3/1999 Hull et al.
D408,238 S 4/1999 Rivera
D427,501 S 7/2000 Rivera
D429,616 S * 8/2000 Rivera D8/105

(List continued on next page.)

(73) Assignee: **Leatherman Tool Group, Inc.**,
Portland, OR (US)

Primary Examiner—Clare E Heflin
(74) *Attorney, Agent, or Firm*—Chernoff, Vilhauer,
McClung & Stenzel, LLP

(**) Term: **14 Years**

(57) **CLAIM**

The ornamental design for a folded multipurpose hand tool,
as shown and described.

(21) Appl. No.: **29/197,280**

DESCRIPTION

(22) Filed: **Jan. 13, 2004**

(51) **LOC (7) Cl.** **08-05**

(52) **U.S. Cl.** **D8/107; D8/55; D8/105**

(58) **Field of Search** D8/54-46, 99,
D8/105, 107; 7/118, 119, 125-135, 158,
163-166, 168; 30/160, 161; 81/427.5, 440

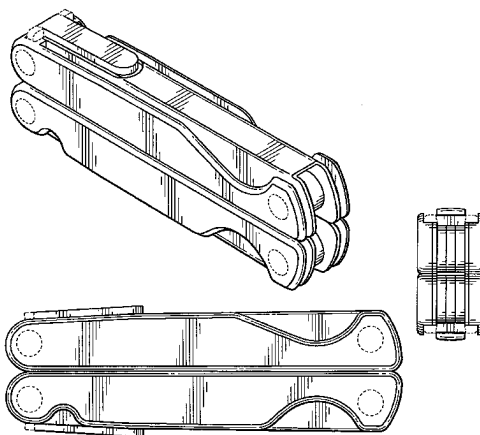
FIG. 1 is an isometric view from the upper right front of a folded multipurpose hand tool including our new design, wherein heads of pivot pins and portions of a blade latch mechanism shown in broken line are included merely for illustrative purposes and form no part of the claimed design; FIG. 2 is a right side elevational view thereof, wherein heads of pivot pins and portions of a blade latch mechanism shown in broken line are included merely for illustrative purposes and form no part of the claimed design; FIG. 3 is a left side elevational view thereof, wherein the heads of pivot pins and portions of a blade latch mechanism shown in broken line are included merely for illustrative purposes and form no part of the claimed design; FIG. 4 is a top plan view thereof, a bottom plan view thereof being identical thereto, wherein portions of pivot pins and of a blade latch mechanism shown in broken line are included merely for illustrative purposes and form no part of the claimed design; FIG. 5 is a front end elevational view thereof, wherein portions of pivot pins and of a blade latch mechanism shown in broken line are included merely for illustrative purposes and form no part of the claimed design; and, FIG. 6 is a rear end elevational view thereof, wherein portions of a blade latch mechanism shown in broken line are included merely for illustrative purposes and form no part of the claimed design.

(56) **References Cited**

U.S. PATENT DOCUMENTS

2,869,232 A	1/1959	Kivela	
3,783,509 A	1/1974	Lake	
D280,179 S	8/1985	Miceli	
4,744,272 A	5/1988	Leatherman	
5,111,581 A	5/1992	Collins	
D344,006 S	2/1994	Glessner	
D356,019 S	3/1995	Sakai	
D357,166 S	* 4/1995	Concari D8/107
D367,807 S	3/1996	Hung	
D368,634 S	4/1996	Frazer	
D373,521 S	9/1996	Applegate et al.	
D382,190 S	8/1997	Blackston et al.	
D384,872 S	10/1997	Yeh	
D385,170 S	10/1997	Rivera	
5,711,194 A	1/1998	Anderson	
D398,209 S	9/1998	Rivera	
D398,213 S	9/1998	Rivera	
D405,675 S	2/1999	Rivera	
D405,676 S	2/1999	Rivera	
D406,508 S	3/1999	Rivera	

1 Claim, 2 Drawing Sheets



US D497,532 S

Page 2

U.S. PATENT DOCUMENTS

6,216,301 B1 *	4/2001	Rivera	7/128	6,389,625 B1 *	5/2002	Rivera	7/128
D445,009 S	7/2001	Rivera			6,427,334 B2	8/2002	Onion		
D446,708 S	8/2001	Rivera			D470,031 S	2/2003	Rivera		
D446,709 S	8/2001	Rivera			D470,032 S	2/2003	Rivera		
D447,039 S	8/2001	Rivera			D470,372 S	2/2003	Rivera		
D447,041 S	8/2001	Rivera			D474,670 S	5/2003	Rivera		
D447,401 S	9/2001	Rivera			D479,788 S *	9/2003	Ocklenburg	D8/105
6,282,996 B1	9/2001	Berg et al.			2004/0003472 A1 *	1/2004	Dallas et al.	7/128
6,305,041 B1	10/2001	Montague et al.			2004/0019973 A1 *	2/2004	Rivera	7/128

* cited by examiner

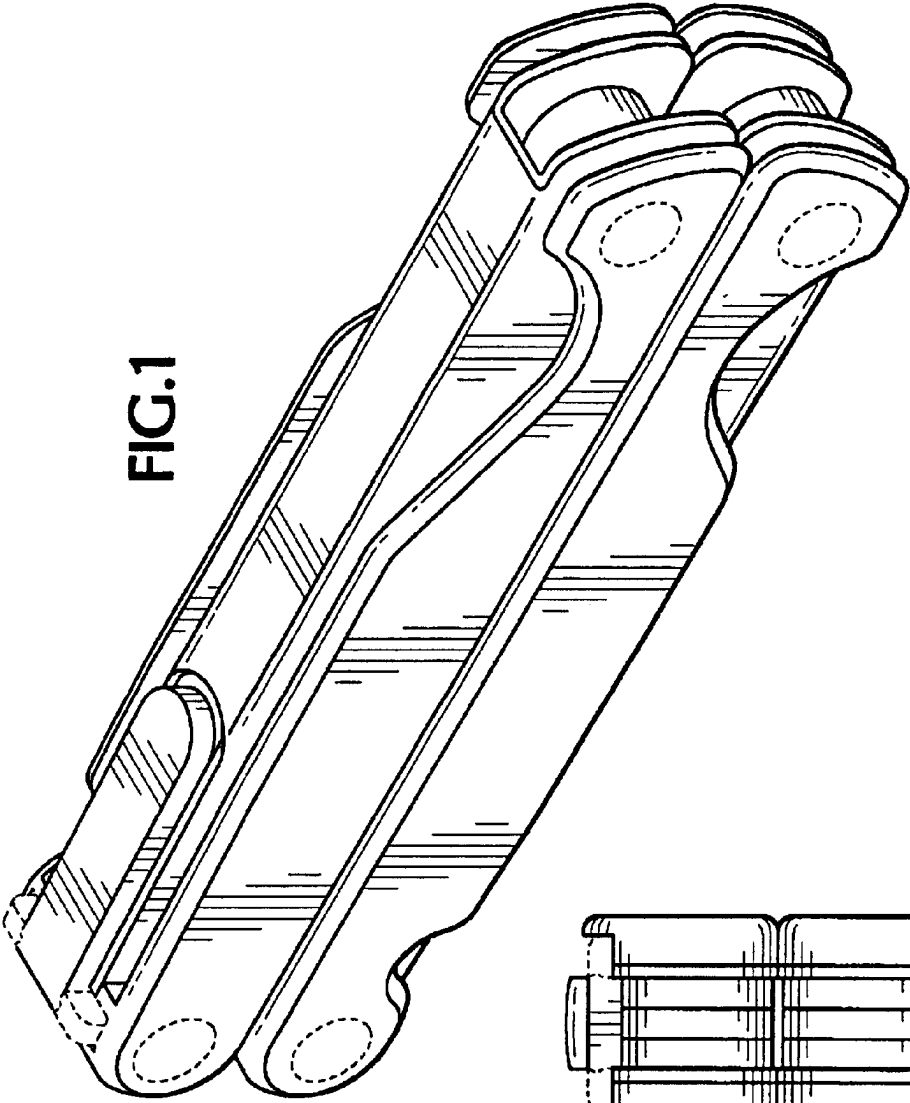


FIG. 1

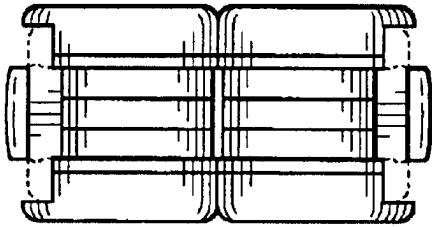


FIG. 6

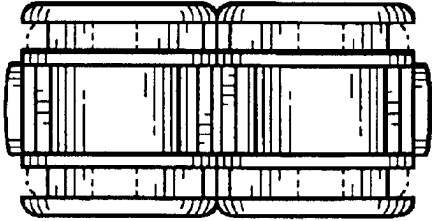


FIG. 5

FIG.2

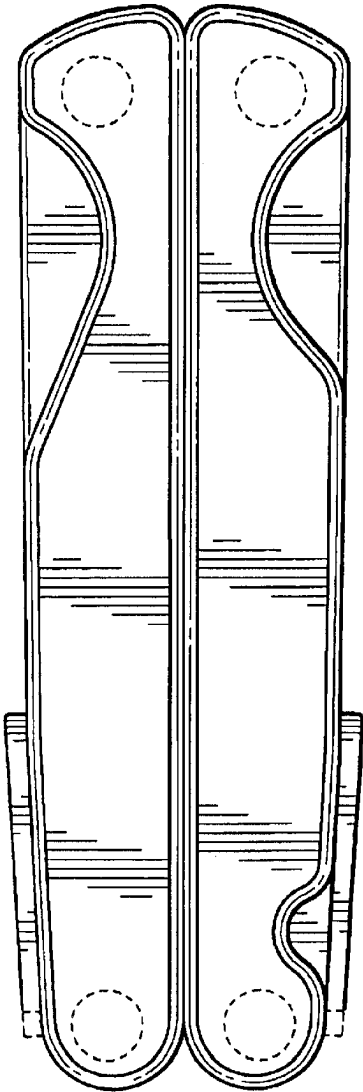


FIG.3

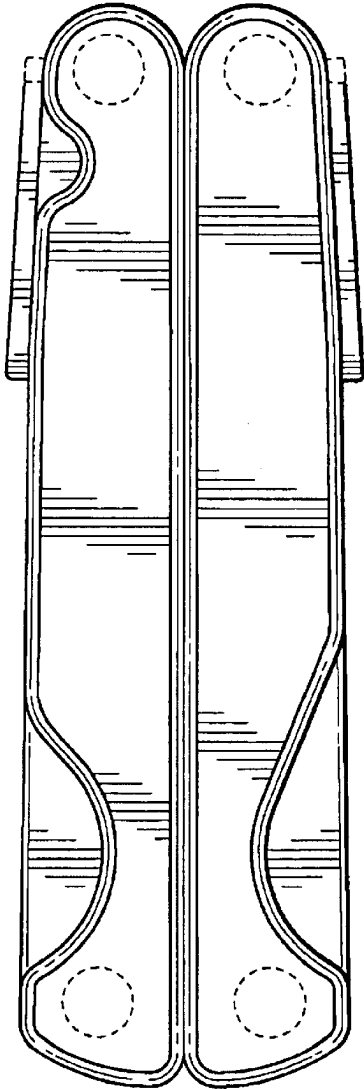


FIG.4

