



US00D521829S

(12) **United States Design Patent**
Yale et al.

(10) **Patent No.:** **US D521,829 S**

(45) **Date of Patent:** **** May 30, 2006**

(54) **FOLDING TOOL INCLUDING PLIERS**

5,809,599 A 9/1998 Frazer
D401,133 S 11/1998 Gardiner et al.

(75) Inventors: **Melissa C. Yale**, Portland, OR (US);
Hollan A. Tsuda, Portland, OR (US)

(Continued)

FOREIGN PATENT DOCUMENTS

(73) Assignee: **Leatherman Tool Group, Inc.**,
Portland, OR (US)

EP 0783937 A2 11/1996

(**) Term: **14 Years**

OTHER PUBLICATIONS

(21) Appl. No.: **29/220,912**

(22) Filed: **Jan. 7, 2005**

AU 135828 S (Leatherman Tool Group, Inc.) Dec. 7, 1998
[online][retrieved on Sep. 28, 2005] Retrieved from: Aus-
tralian patent database.*

(51) **LOC (8) Cl.** **08-05**

(52) **U.S. Cl.** **D8/52; D8/4**

(58) **Field of Classification Search** **D8/4-5,**

D8/52, 57-58, 14, 19, 105; 7/128; 81/427.5

See application file for complete search history.

U.S. Appl. No. 29/209,072, filed Jul. 9, 2005, Rivera.
U.S. Appl. No. 29/220,870, filed Jan. 7, 2005, Yale.
U.S. Appl. No. 29/220,922, filed Jan. 7, 2005, Yale.
U.S. Appl. No. 29/220,911, filed Jan. 7, 2005, Tsuda.
U.S. Appl. No. 29/220,831, filed Jan. 7, 2005, Yale.
U.S. Appl. No. 29/220,871, filed Jan. 7, 2005, Yale, et al.
U.S. Appl. No. 29/220,869, filed Jan. 7, 2005, Yale.
SOG "Paratool" Multipurpose Tool, photocopy of User's
Guide, at least as early as 1993.

(56) **References Cited**

U.S. PATENT DOCUMENTS

| | | | |
|-------------|----------|------------------|-------|
| 124,566 A | 3/1872 | Garrick | |
| 254,404 A | 2/1882 | Story | |
| 3,783,509 A | 1/1974 | Lake | |
| 4,238,862 A | 12/1980 | Leatherman | |
| D304,154 S | 10/1989 | Osterhout | |
| 4,882,841 A | 11/1989 | Margolis | |
| D332,384 S | 1/1993 | Dague | |
| 5,267,366 A | 12/1993 | Frazer | |
| D344,006 S | 2/1994 | Glesser | |
| D357,166 S | 4/1995 | Concari | |
| D368,634 S | 4/1996 | Frazer | |
| 5,511,310 A | 4/1996 | Sessions et al. | |
| 5,564,318 A | 10/1996 | Pail | |
| D382,190 S | 8/1997 | Blackston et al. | |
| D384,872 S | 10/1997 | Yeh | |
| D385,168 S | 10/1997 | Rivera | |
| D385,169 S | 10/1997 | Rivera | |
| D385,170 S | 10/1997 | Rivera | |
| 5,711,194 A | 1/1998 | Anderson | |
| D392,519 S | 3/1998 | Hung | |
| 5,743,582 A | 4/1998 | Rivera | |
| 5,745,997 A | 5/1998 | Berg et al. | |
| D398,209 S | * 9/1998 | Rivera | D8/52 |
| D398,213 S | 9/1998 | Rivera | |

Leatherman Tool Group, Inc., The Original Leatherman PST
II, photocopy of brochure, at least as early as Jul. 1995.
E-Bay Advertisement, "Early 1900s Folding Fisherman's
Tool MT," Item No. 2153119094, at least as early as Jan. 13,
2003.

Primary Examiner—Holly H. Baynham

(74) *Attorney, Agent, or Firm*—Chernoff, Vilhauer,
McClung, Stenzel, LLP

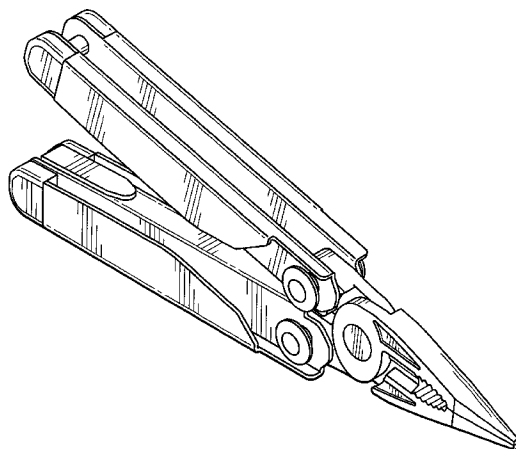
(57) **CLAIM**

The ornamental design for a folding tool including pliers, as
shown and described.

DESCRIPTION

FIG. 1 is an isometric view from the upper right front of a
folding tool including pliers, showing our new design;
FIG. 2 is a side elevational view thereof, an elevational view
of the opposite side being identical therewith;
FIG. 3 is a top plan view thereof, a bottom plan view thereof
being identical therewith;
FIG. 4 is a rear elevational view thereof; and,
FIG. 5 is a front elevational view thereof.

1 Claim, 2 Drawing Sheets



US D521,829 S

Page 2

U.S. PATENT DOCUMENTS

| | | | | | | | |
|-----------|----|----------|--------------------|--------------|----|----------|--------------------|
| | | | | | | | |
| D403,944 | S | 1/1999 | Rivera | 6,282,996 | B1 | 9/2001 | Berg et al. |
| D405,675 | S | 2/1999 | Rivera | 6,305,041 | B1 | 10/2001 | Montague et al. |
| D405,676 | S | 2/1999 | Rivera | 6,318,218 | B1 | 11/2001 | Anderson |
| D406,508 | S | 3/1999 | Rivera | 6,389,625 | B1 | 5/2002 | Rivera |
| D406,509 | S | 3/1999 | Rivera | 6,408,522 | B1 | 6/2002 | Rivera |
| D407,004 | S | 3/1999 | Hull et al. | 6,427,334 | B1 | 8/2002 | Onion |
| D407,622 | S | 4/1999 | Rivera | 6,510,767 | B1 | 1/2003 | Rivera |
| D408,238 | S | 4/1999 | Rivera | D470,031 | S | 2/2003 | Rivera |
| 5,978,993 | A | 11/1999 | Rivera | D470,032 | S | 2/2003 | Rivera |
| D417,601 | S | 12/1999 | Rivera | D470,372 | S | * 2/2003 | Rivera D8/52 |
| 6,003,180 | A | 12/1999 | Frazer | D474,085 | S | * 5/2003 | Rivera D8/58 |
| 6,014,787 | A | 1/2000 | Rivera | D474,670 | S | 5/2003 | Rivera |
| D421,377 | S | 3/2000 | Rivera | D479,788 | S | 9/2003 | Ocklenburg |
| 6,047,426 | A | 4/2000 | McIntosh et al. | 6,622,328 | B1 | 9/2003 | Rivera |
| D426,446 | S | * 6/2000 | Chau D8/105 | 6,625,832 | B1 | 9/2003 | Montague et al. |
| D426,447 | S | 6/2000 | Chau | D494,032 | S | * 8/2004 | Rivera D8/58 |
| D427,501 | S | 7/2000 | Rivera | D496,846 | S | 10/2004 | Rivera et al. |
| D429,131 | S | 8/2000 | Rivera | D496,847 | S | 10/2004 | Rivera et al. |
| D429,132 | S | 8/2000 | Rivera | D497,093 | S | 10/2004 | Rivera et al. |
| D429,616 | S | 8/2000 | Rivera | D497,094 | S | 10/2004 | Rivera et al. |
| 6,128,805 | A | 10/2000 | Rivera | D497,095 | S | 10/2004 | Rivera et al. |
| D433,902 | S | 11/2000 | Rivera | D497,096 | S | 10/2004 | Rivera et al. |
| D435,776 | S | 1/2001 | Veltz et al. | D497,532 | S | 10/2004 | Rivera et al. |
| D436,514 | S | 1/2001 | Rivera | D497,790 | S | 11/2004 | Rivera et al. |
| 6,216,301 | B1 | 4/2001 | Rivera | D497,791 | S | 11/2004 | Rivera et al. |
| 6,226,822 | B1 | 5/2001 | Chen | D499,621 | S | 12/2004 | Tsuda |
| D445,009 | S | * 7/2001 | Rivera D8/52 | D499,622 | S | 12/2004 | Rivera et al. |
| D446,708 | S | 8/2001 | Rivera | D501,127 | S | 1/2005 | Rivera et al. |
| D446,709 | S | 8/2001 | Rivera | 2003/0192128 | A1 | 10/2003 | Rivera |
| D447,039 | S | 8/2001 | Rivera | 2004/0003472 | A1 | 1/2004 | Dallas et al. |
| D447,041 | S | 8/2001 | Rivera | 2004/0019973 | A1 | 2/2004 | Rivera |
| D447,401 | S | 9/2001 | Rivera | | | | |

* cited by examiner

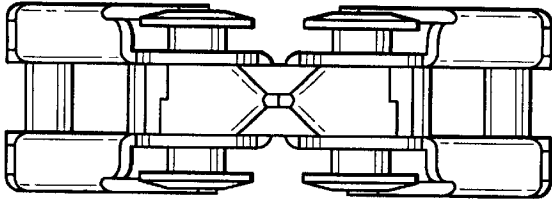


FIG. 5

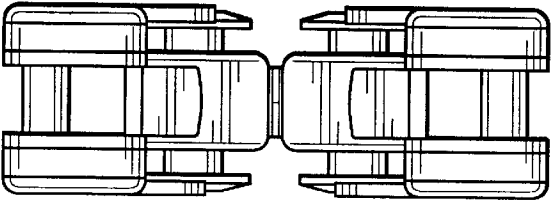


FIG. 4

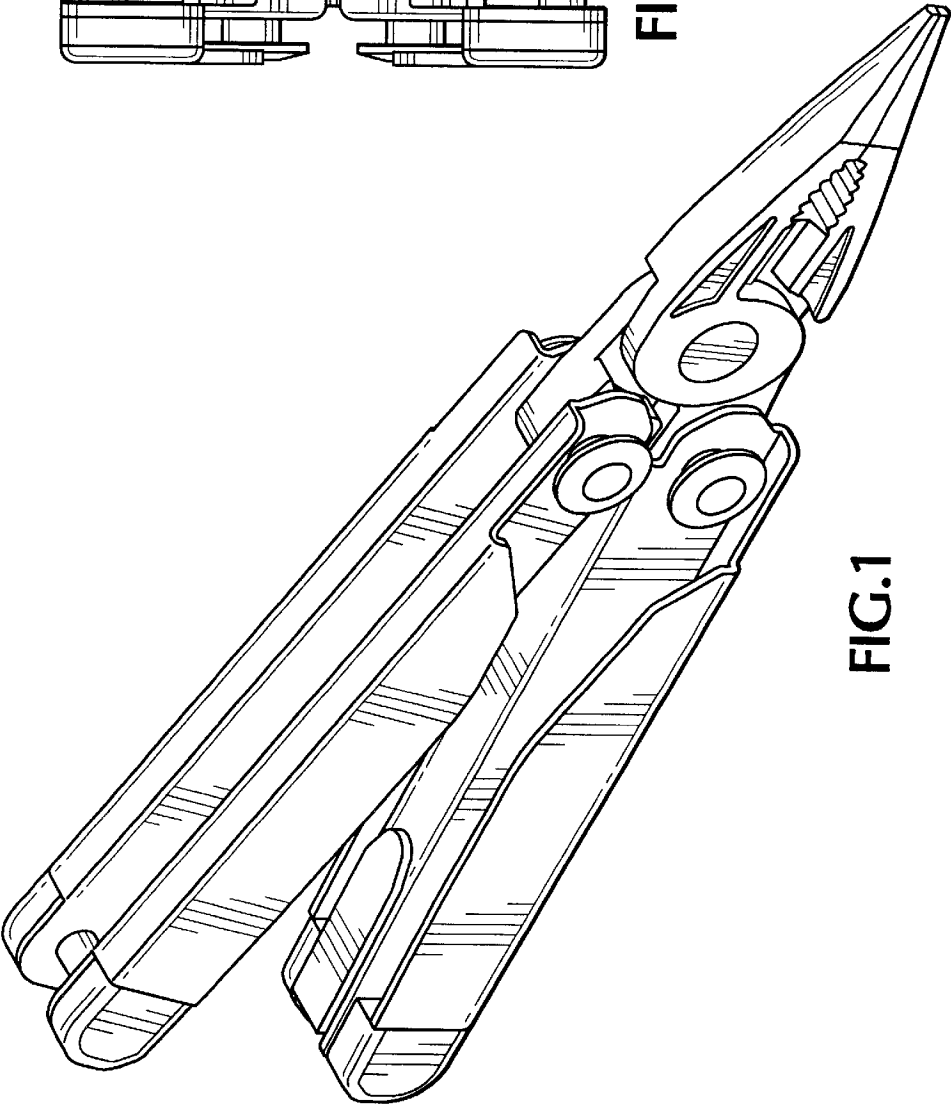


FIG. 1

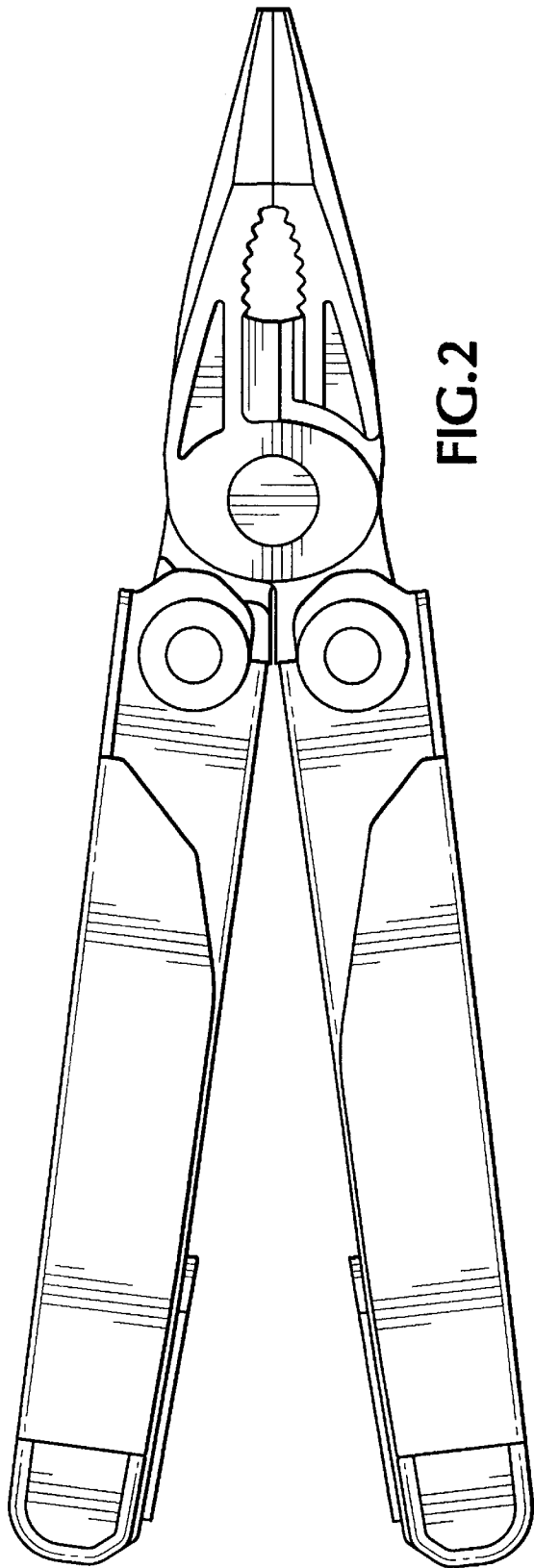


FIG. 2

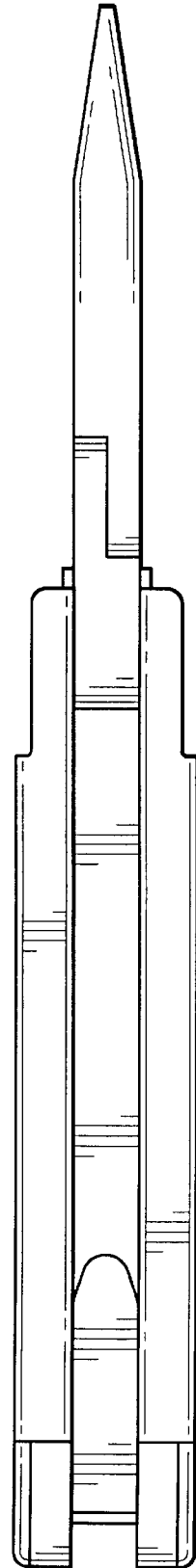


FIG. 3