



US00D630081S

(12) **United States Design Patent**
Rivera et al.

(10) **Patent No.:** **US D630,081 S**

(45) **Date of Patent:** **** Jan. 4, 2011**

(54) **PORTION OF A HAND TOOL**

D397,147 S 8/1998 Mackenzie

(75) Inventors: **Benjamin C. Rivera**, Lake Oswego, OR (US); **Jeffrey L. Caniparoli**, Milwaukie, OR (US); **Jeffrey B. Castro**, Portland, OR (US); **Blair Scott Barnes**, Portland, OR (US)

(Continued)

(73) Assignee: **Leatherman Tool Group, Inc.**, Portland, OR (US)

OTHER PUBLICATIONS

The Pocket Toolbox™, G10 MaxGrip, Multitasker Ultralight, Multitasker Tools LLC, Brochure, 2 pages.

(**) Term: **14 Years**

(Continued)

(21) Appl. No.: **29/366,126**

Primary Examiner—Austin Murphy

(74) *Attorney, Agent, or Firm*—Alston & Bird LLP

(22) Filed: **Jul. 20, 2010**

(57) **CLAIM**

The ornamental design for a portion of a hand tool, as shown and described.

Related U.S. Application Data

DESCRIPTION

(63) Continuation of application No. 29/352,327, filed on Dec. 18, 2009.

FIG. 1 is a perspective view of portion of a hand tool according to our new design;

(51) **LOC (9) Cl.** **08-05**

FIG. 2 is a left side elevation view thereof;

(52) **U.S. Cl.** **D8/105**

FIG. 3 is a right side elevation view thereof;

(58) **Field of Classification Search** D8/99,

FIG. 4 is a top plan view thereof;

D8/58, 55, 52, 5, 47, 16, 356, 107, 105, 93,

FIG. 5 is a bottom plan view thereto;

D8/75, 51; D19/65; 81/35; 7/160, 138,

FIG. 6 is a rear elevation view thereof;

7/128, 118; 30/298.4, 162, 161, 155, 366;

FIG. 7 is a front elevation view thereof; and,

D24/147, 144, 135; 606/79, 87, 96, 172,

FIG. 8 is a right side elevation view thereof, shown in the environment of a complete hand tool, shown in a closed configuration.

606/108, 104; D15/128; 227/147

See application file for complete search history.

(56) **References Cited**

The broken lines immediately adjacent the shaded areas represent bounds of the claimed design and environment while all other broken lines are directed to environment and are for illustrative purposes only. The broken lines form no part of the claimed design.

U.S. PATENT DOCUMENTS

1,575,582 A * 3/1926 Joy 227/147

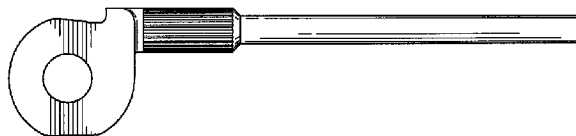
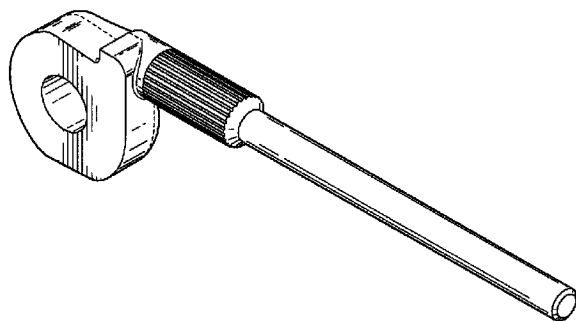
1,776,646 A * 9/1930 Wilson 227/147

1,797,016 A 3/1931 Osborne

2,512,449 A 6/1950 Wieland

2,543,942 A * 3/1951 Shaff 227/147

1 Claim, 5 Drawing Sheets



US D630,081 S

Page 2

U.S. PATENT DOCUMENTS

2,624,879 A * 1/1953 Baird 227/147
2,672,610 A * 3/1954 Colton 227/147
3,010,207 A 11/1961 Barnes
D235,968 S * 7/1975 Mein D8/75
D277,637 S 2/1985 TePastte et al.
4,762,043 A 8/1988 Sneed
5,089,006 A 2/1992 Stiles
D363,869 S * 11/1995 Ross D8/93
5,490,852 A 2/1996 Azer et al.
D371,302 S * 7/1996 Spierer D8/47
D374,802 S * 10/1996 Spierer et al. D8/51
D378,981 S * 4/1997 Alexander D8/51
5,667,513 A * 9/1997 Torrie et al. 606/104
D428,389 S * 7/2000 Love D13/133
6,136,006 A * 10/2000 Johnson et al. 606/108
6,146,385 A * 11/2000 Torrie et al. 606/96
6,358,253 B1 * 3/2002 Torrie et al. 606/96
D461,933 S 8/2002 Rivera
D482,252 S 11/2003 Hyde
D518,178 S * 3/2006 Christiansen D24/147
7,144,405 B2 12/2006 Vargas et al.

7,487,703 B2 2/2009 Lockhart et al.
D600,994 S 9/2009 Fultz
D603,045 S 10/2009 Petersen
D615,569 S * 5/2010 Greenleaf D15/128
2001/0045754 A1 * 11/2001 Hatcher 294/61
2004/0073248 A1 4/2004 Vargas et al.
2009/0101052 A1 4/2009 Tamura

OTHER PUBLICATIONS

Multi Tools 14-in-1 Hammer Tool [online] [retrieved Jan. 25, 2010]. Retrieved from the internet: <URL: http://greatnecksaw.com/product_info.php?pName=14in1-hammer-tool&cName=all-purpo...>. 2 pages.
eFECT™, Speciality Tools, 2010 Gerber Military Product Catalog, Jun. 1, 2009, p. 16.
Multitasker Tool [online] [retrieved Apr. 16, 2010]. Retrieved from the internet: <URL: <http://www.multitaskertools.com/images/2009tool.jpg...>>. 1 page.
Gerber Knife [online] [retrieved Apr. 16, 2010]. Retrieved from the internet: <URL: <http://images.knifecenter.com/knifecenter/gerber/images/GB000030.jpg...>>, 1 page.

* cited by examiner

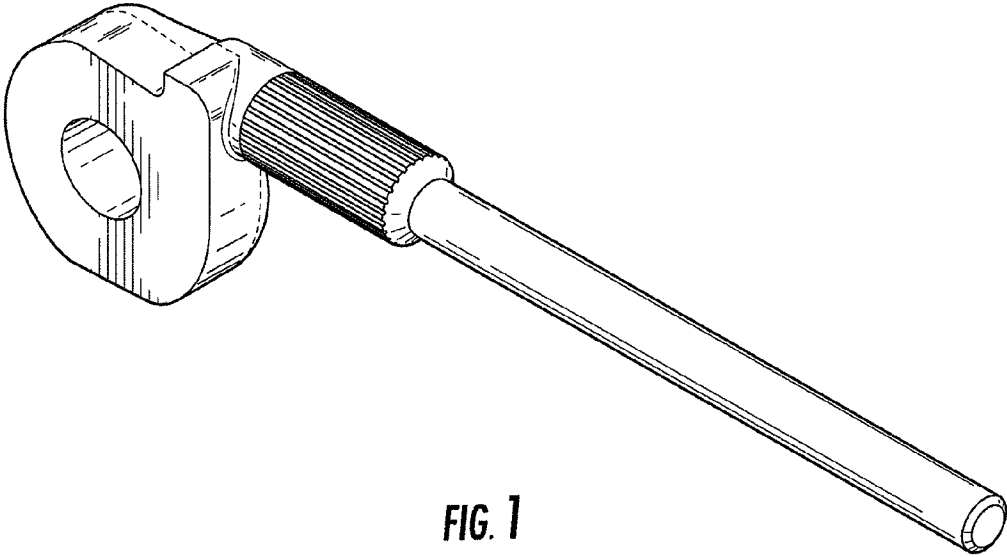


FIG. 1

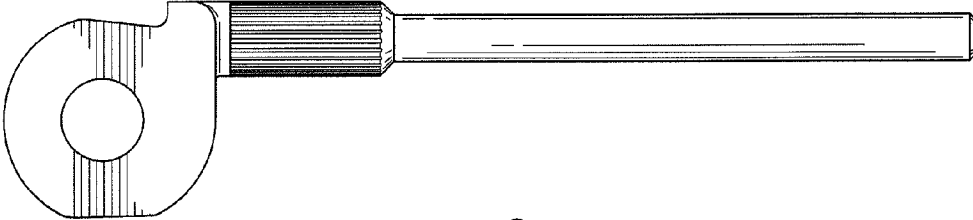


FIG. 2

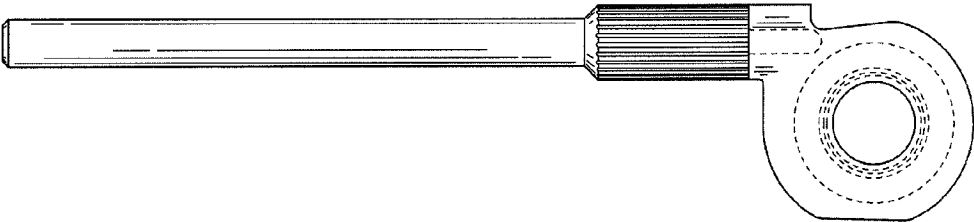


FIG. 3

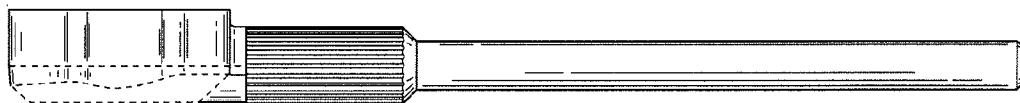


FIG. 4

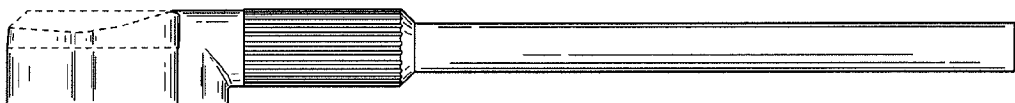


FIG. 5

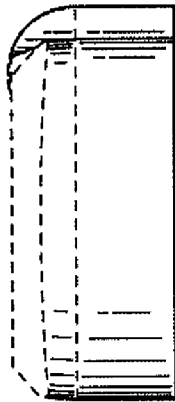


FIG. 6

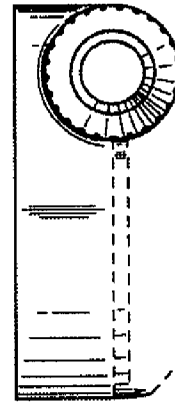


FIG. 7

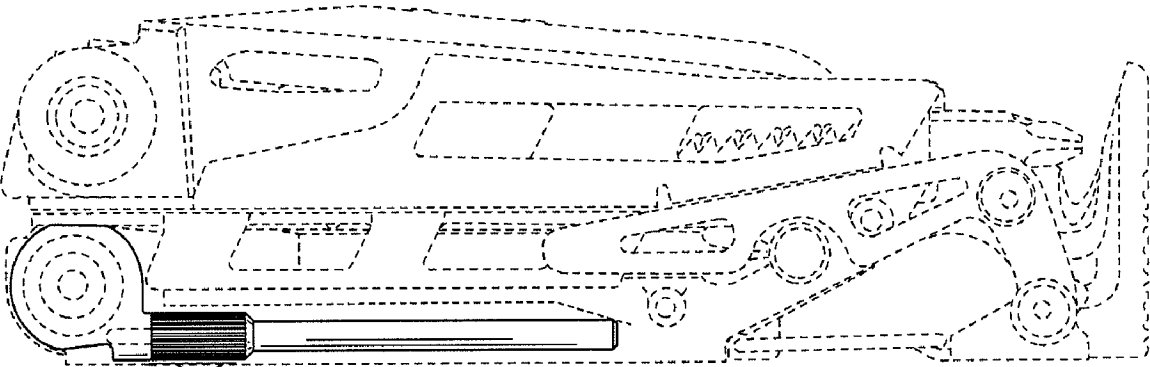


FIG. 8