



US00D538138S

(12) **United States Design Patent**
Knight

(10) **Patent No.:** **US D538,138 S**

(45) **Date of Patent:** **** Mar. 13, 2007**

(54) **FOLDING CARABINER WITH SPRING GATE**

4,811,486 A	3/1989	Cunningham
4,837,982 A	6/1989	Elsener
D304,154 S	10/1989	Osterhout
4,888,869 A	12/1989	Leatherman

(75) Inventor: **Nathan E. Knight**, Portland, OR (US)

(Continued)

(73) Assignee: **Leatherman Tool Group, Inc.**,
Portland, OR (US)

FOREIGN PATENT DOCUMENTS

(**) Term: **14 Years**

CH	277412	11/1951
EP	0100377	2/1984
EP	0714736	6/1996
GB	2190321	11/1987

(21) Appl. No.: **29/232,146**

(22) Filed: **Jun. 14, 2005**

OTHER PUBLICATIONS

(51) **LOC (8) Cl.** **08-05**

(52) **U.S. Cl.** **D8/356**

(58) **Field of Classification Search** D8/356,
D8/370; 24/573.5, 599.1

Camillus Knives, Aftermath CU 2562 Folding Knife with Assisted Opening, photocopy of photos taken of product, on sale at least as early as Jun. 2004.

See application file for complete search history.

(Continued)

(56) **References Cited**

Primary Examiner—Holly H. Baynham

U.S. PATENT DOCUMENTS

(74) *Attorney, Agent, or Firm*—Chernoff, Vilhauer, McClung & Stenzel, LLP

226,910 A	4/1880	Friebertshauer
362,718 A	5/1887	Brueckner
551,052 A	12/1895	Shonnard et al.
749,230 A	1/1904	Severance
959,909 A	9/1910	Schrade
1,454,665 A	5/1923	Bobek
1,743,022 A	1/1930	Carman
1,828,121 A	10/1931	Adam et al.
2,250,290 A	7/1941	Berg
2,263,415 A	11/1941	Berg et al.
D167,920 S	10/1952	Zuras
4,124,939 A	11/1978	Onoue
4,342,410 A	8/1982	Sloan
4,347,665 A	9/1982	Glesser
4,404,748 A	9/1983	Wiethoff
4,451,982 A	6/1984	Collins
4,502,221 A	3/1985	Pittman
D280,179 S	8/1985	Miceli
4,563,813 A	1/1986	Fortenberry
4,570,341 A	2/1986	Konneker
4,719,700 A	1/1988	Taylor, Jr.
4,741,106 A	5/1988	Yamagishi
4,776,094 A	10/1988	Glesser
4,805,303 A	2/1989	Gibbs

(57) **CLAIM**

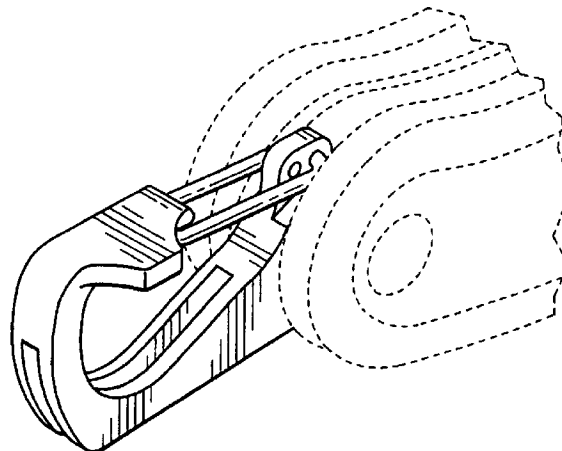
The ornamental design for a folding carabiner with spring gate, as shown and described.

DESCRIPTION

FIG. 1 is an isometric view from the upper left front of a folding carabiner with spring gate showing my new design; FIG. 2 is a left side elevational view thereof; FIG. 3 is a top plan view thereof; FIG. 4 is a bottom plan view thereof; FIG. 5 is a front end elevational view thereof; and, FIG. 6 is a right side elevational view thereof.

The broken lines in FIGS. 1–6 bounding the shaded areas represent the bounds of the claimed design. The broken lines showing portions of the tool handle in which the carabiner is mounted are for illustrative purposes only and form no part of the claimed design. None of the broken lines form part of the claimed design.

1 Claim, 2 Drawing Sheets



US D538,138 S

Page 2

U.S. PATENT DOCUMENTS							
4,896,424	A	1/1990	Walker	D422,477	S	4/2000	Elishewitz
D309,409	S	7/1990	Kiernan	D422,478	S	4/2000	Elishewitz
4,947,552	A	8/1990	Barnes	D422,480	S	4/2000	McHenry et al.
4,974,323	A	12/1990	Cassady	D422,669	S	4/2000	Elishewitz
4,979,301	A	12/1990	Walker	D422,779	S	4/2000	Pardue
D319,767	S	9/1991	Sargent	D422,873	S	4/2000	McHenry
5,044,079	A	9/1991	Gibbs	D422,877	S	4/2000	Elishewitz
5,060,379	A	10/1991	Neeley	6,079,106	A	6/2000	Vallotton
5,095,624	A	3/1992	Ennis	D427,501	S	7/2000	Berg et al.
5,111,581	A	5/1992	Collins	D428,789	S	8/2000	McHenry et al.
5,245,721	A	9/1993	Lowe et al.	D428,791	S	8/2000	Anderson et al.
5,251,353	A	10/1993	Lin	D429,616	S	8/2000	Rivera
5,270,909	A	12/1993	Weiss et al.	D429,621	S	8/2000	Rivera
5,280,659	A	1/1994	Park	D429,989	S	8/2000	Rivera
D344,006	S	2/1994	Glesser	6,101,724	A	8/2000	Halligan
5,293,690	A	3/1994	Cassady	6,105,255	A	8/2000	Cheng
5,331,741	A	7/1994	Taylor, Jr.	6,112,352	A	9/2000	Legg
5,349,753	A	9/1994	Gaffney	D431,991	S	10/2000	Elishewitz
D356,019	S	3/1995	Sakai	D432,386	S	10/2000	Elishewitz
5,400,509	A	3/1995	Collins	6,128,805	A	10/2000	Rivera
D357,166	S	4/1995	Concari	D433,913	S	11/2000	Pardue
5,437,101	A	8/1995	Collins	6,145,202	A	11/2000	Onion
5,450,670	A	9/1995	Sakai	6,145,851	A	11/2000	Heber
5,463,798	A	11/1995	Wurzer	D435,400	S	12/2000	Veltz et al.
D365,266	S	12/1995	Hasegawa	D435,776	S	1/2001	Veltz et al.
5,495,673	A	3/1996	Gardiner et al.	D436,514	S	1/2001	Rivera
5,502,895	A	4/1996	Lemaire	6,170,104	B1	1/2001	Seber et al.
5,515,610	A	5/1996	Levin et al.	6,223,372	B1	5/2001	Barber
5,537,750	A	7/1996	Seber et al.	6,233,769	B1	5/2001	Seber et al.
D373,521	S	9/1996	Applegate et al.	6,256,887	B1	7/2001	Osborne
D376,743	S	12/1996	Seber et al.	D446,709	S	8/2001	Rivera
D377,433	S	1/1997	Seber et al.	D447,041	S	8/2001	Rivera
5,628,117	A	5/1997	Glesser	6,282,997	B1	9/2001	Frazer
D382,190	S	8/1997	Blackston et al.	6,286,397	B1	9/2001	Taggart et al.
D385,471	S	10/1997	Seber et al.	6,308,420	B1	10/2001	Moser
5,689,885	A	11/1997	Walston	D454,611	S	3/2002	Veltz et al.
5,692,304	A	12/1997	Campbell	6,360,443	B1	3/2002	Remus
D392,538	S	3/1998	Buck et al.	6,389,625	B1	5/2002	Rivera
D393,405	S	4/1998	Seber et al.	6,397,476	B1	6/2002	Onion
5,737,841	A	4/1998	McHenry et al.	6,397,477	B1	7/2002	Jue et al.
5,755,035	A	5/1998	Weatherly	6,438,848	B1	8/2002	McHenry et al.
5,765,247	A	6/1998	Seber et al.	6,438,849	B1	8/2002	Wonderley
5,781,950	A	7/1998	Swinden et al.	6,442,843	B1	9/2002	Jue et al.
5,802,722	A	9/1998	Maxey et al.	6,490,797	B1	12/2002	Lake et al.
5,809,600	A	9/1998	Cachot	D470,032	S	2/2003	Rivera
5,815,927	A	10/1998	Collins	D474,095	S	5/2003	Luquire
5,822,866	A	10/1998	Pardue	D474,670	S	5/2003	Rivera
5,822,867	A	10/1998	Sakai	6,560,873	B1	5/2003	Ortner
5,826,340	A	10/1998	Hull	D475,591	S	6/2003	Luquire D8/34
D403,944	S	1/1999	Rivera	6,574,869	B1	6/2003	McHenry et al.
D405,675	S	2/1999	Rivera	6,591,504	B2	7/2003	Onion
D405,676	S	2/1999	Rivera	6,594,906	B1	7/2003	Sakai et al.
D406,408	S	3/1999	Rivera	6,618,946	B2	9/2003	Seraphin
D406,509	S	3/1999	Rivera	6,618,947	B1	9/2003	Gardiner et al.
D407,002	S	3/1999	Morton	D480,492	S	10/2003	Wu
D407,003	S	3/1999	Macowski	6,651,344	B2	11/2003	Cheng
D407,004	S	3/1999	Hull	D484,770	S	1/2004	Greent
5,887,347	A	3/1999	Gibbs	6,675,484	B2	1/2004	McHenry et al.
D407,622	S	4/1999	Rivera	6,684,510	B1	2/2004	Collins
D408,257	S	4/1999	Elishewitz	6,711,820	B2	3/2004	Chen
D408,705	S	4/1999	Elishewitz	D496,846	S	10/2004	Rivera et al.
D408,706	S	4/1999	Elishewitz	D496,847	S	10/2004	Rivera et al.
5,896,665	A	4/1999	Harris	D497,094	S	10/2004	Rivera et al.
D410,828	S	6/1999	Rivera	D497,095	S	10/2004	Rivera et al.
D414,097	S	9/1999	Berg et al.	D497,096	S	10/2004	Rivera et al.
D414,393	S	9/1999	Berg et al.	D497,791	S	11/2004	Rivera et al.
5,964,036	A	10/1999	Centofante	D501,127	S	1/2005	Rivera et al.
5,978,993	A	11/1999	Rivera	2001/0016987	A1	8/2001	Chen
5,979,059	A	11/1999	Leatherman et al.	2002/0029426	A1	3/2002	Seber et al.
5,983,686	A	11/1999	Lee	2004/0020057	A1	2/2004	Hughes
				2004/0020058	A1	2/2004	Vallotton

2004/0064953 A1 4/2004 Cheng
2004/0078981 A1 4/2004 Cheng
2004/0088865 A1 5/2004 Onion

OTHER PUBLICATIONS

CRKT, M16 Folding Knife, photocopy of photos taken of product, on sale at least as early as Jun. 2004.

Buck Knives, "Rush" Assisted Opening Folding Knife, photocopy of photos taken of product, on sale at least as early as Jun. 2004.

COLT, "Cobra" CT-49 Folding Knife, photocopy of photos taken of product, on sale at least as early as Jun. 2004.

Buck Knives, 437GRX Knife and Carrying Loop with Spring Gate, photocopy of photos posted on website, on sale at least as early as Aug. 20, 2004.

Buck Knives, 760BKX Knife with Carrying Loop with Spring Gate, photocopy of photos posted on website, on sale at least as early as Aug. 20, 2004.

Buck Knives, "Metro" Folding Knife, photocopies of photos taken of product, on sale at least as early as Aug. 2004.

Buck Knives, "Approach" Folding Knife, photocopies of photos taken of product, on sale at least as early as Aug. 2004.

SCHRADE, SS1, Small Folding Knife with Hook and Flat Spring Gate Hook Closure, photocopies of photos taken of product, on sale at least as early as Aug. 2004.

KERSHAW, "National Geographic" Combination Carabiner and Multipurpose Tool, photocopies of photos taken of product, on sale at least as early as Aug. 2004.

SPYDERCO, Lock Back Folding Knife with Wire Spring Gate-Hook, photocopies of photos taken of product, on sale at least as early as Aug. 2004.

* cited by examiner

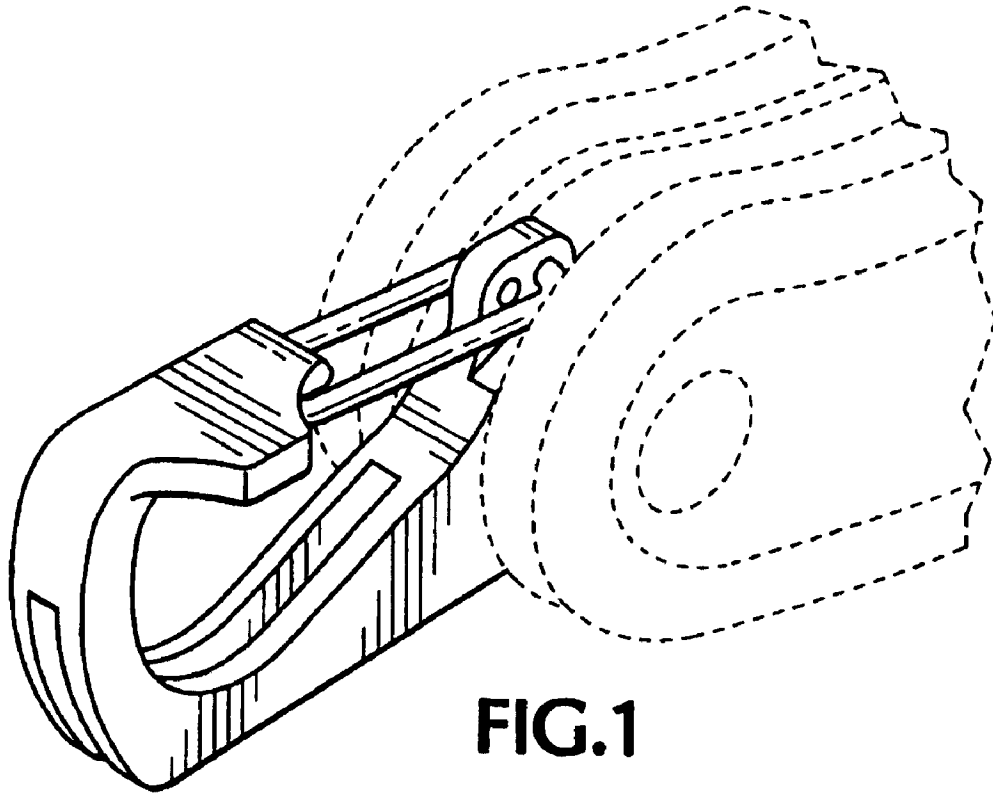


FIG.1

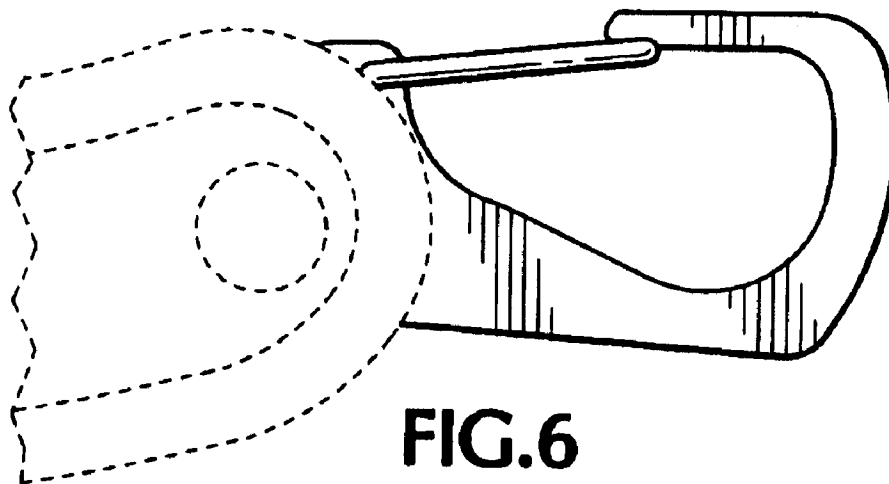


FIG.6

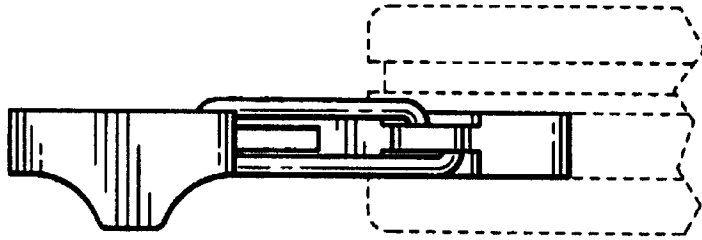


FIG. 3

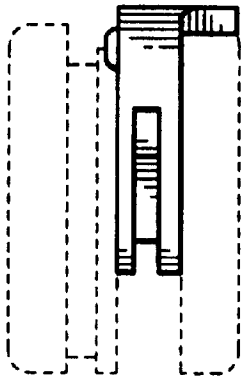


FIG. 5

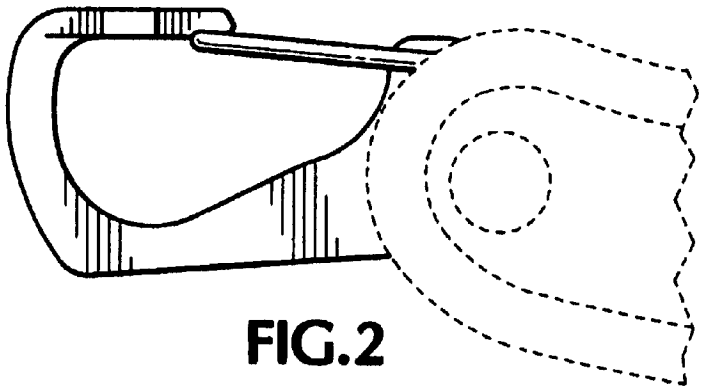


FIG. 2

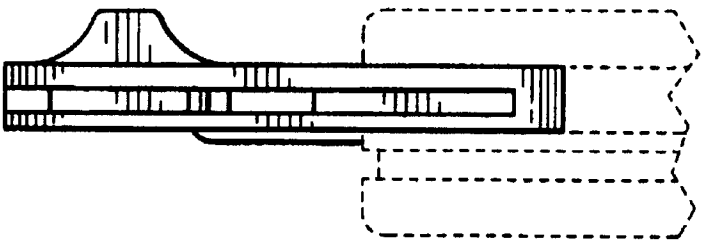


FIG. 4