



(12) **United States Design Patent**
Castro

(10) **Patent No.:** **US D627,201 S**
(45) **Date of Patent:** **** Nov. 16, 2010**

- (54) **LEVER**
- (75) Inventor: **Jeffrey B. Castro**, Portland, OR (US)
- (73) Assignee: **Leatherman Tool Group, Inc.**,
Portland, OR (US)
- (**) Term: **14 Years**
- (21) Appl. No.: **29/335,353**
- (22) Filed: **Apr. 14, 2009**

7,363,669	B2	4/2008	Berg et al.	
D576,010	S	9/2008	Tsuda	
2002/0124322	A1*	9/2002	Montague	7/128
2005/0268468	A1	12/2005	Klecker et al.	
2007/0131069	A1	6/2007	Rivera et al.	
2007/0199156	A1	8/2007	Yale et al.	
2007/0204409	A1	9/2007	Yale et al.	
2007/0294833	A1	12/2007	Rivera et al.	
2008/0216326	A1	9/2008	Klecker et al.	

- (51) **LOC (9) Cl.** **08-05**
- (52) **U.S. Cl.** **D8/55; D8/105**
- (58) **Field of Classification Search** D8/1,
D8/4, 5, 14, 20, 51-56, 58, 105-107; 7/128,
7/168, 158, 165, 125, 138; 81/177.4, 440,
81/427.5, 300, 418-424, 424.5, 426, 426.5,
81/427; 30/158-161, 236, 262
See application file for complete search history.

OTHER PUBLICATIONS

Leatherman Super Tool®, Inovative Heavy-Duty Capabilities for the Pro—1 pg. <http://www.leatherman.com/multi-tools/retired-products/super-tool.aspx> website visited Mar 23, 2009.

(Continued)

Primary Examiner—Cathron C Brooks
Assistant Examiner—Deanna Fluegeman
(74) *Attorney, Agent, or Firm*—Alston & Bird LLP

(56) **References Cited**

U.S. PATENT DOCUMENTS

D317,482	S *	6/1991	Michaelsen et al.	D8/88
D413,054	S *	8/1999	Anderson	D8/40
D427,501	S *	7/2000	Berg et al.	D8/105
6,088,860	A *	7/2000	Poehlmann et al.	7/128
6,088,861	A *	7/2000	Sessions et al.	7/128
6,145,144	A *	11/2000	Poehlmann et al.	7/128
6,691,357	B2	2/2004	Rivera	
D488,700	S *	4/2004	Montague	D8/331
D496,847	S	10/2004	Rivera et al.	
D497,093	S	10/2004	Rivera et al.	
D497,096	S	10/2004	Rivera et al.	
D497,532	S	10/2004	Rivera et al.	
D497,790	S	11/2004	Rivera et al.	
D497,791	S	11/2004	Rivera et al.	
D499,622	S	12/2004	Rivera et al.	
D501,127	S	1/2005	Rivera et al.	
7,039,974	B2	5/2006	Berg	
D529,781	S	10/2006	Yale	
D538,130	S	3/2007	Yale	
7,185,569	B2	3/2007	Knight et al.	
7,347,128	B2	3/2008	Rivera et al.	

(57) **CLAIM**

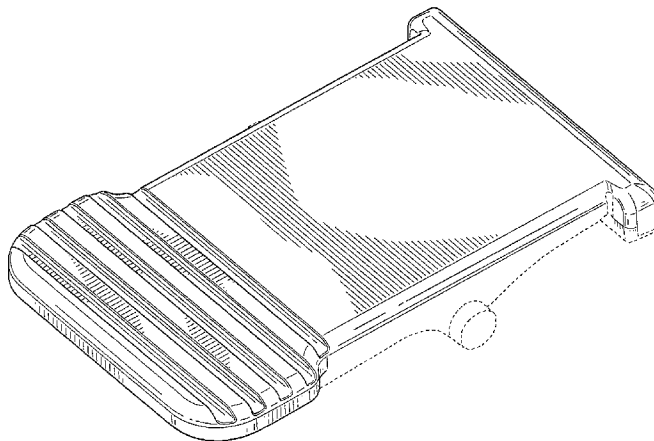
The ornamental design for a lever, as shown and described.

DESCRIPTION

- FIG. 1 is a perspective view of a lever according to my new design;
- FIG. 2 is a top plan view thereof;
- FIG. 3 is a bottom plan view thereof;
- FIG. 4 is a left side elevation view thereof;
- FIG. 5 is a right side elevation view thereof;
- FIG. 6 is a front elevation view thereof; and,
- FIG. 7 is a rear elevation view thereof.

The broken lines immediately adjacent to the shaded areas illustrate the bounds of the claimed design and form no part thereof. The remaining broken lines illustrate unclaimed environment and form no part of the claimed design.

1 Claim, 5 Drawing Sheets



OTHER PUBLICATIONS

Leatherman Super Tool® 200, Comfortable Handles and a Sliding Locking Mechanism—1 pg. <http://www.leatherman.com/multi-tools/retired-products/super-tool-200.aspx> website visited Mar. 23, 2009.

Leatherman Super Tool® 200, Comfortable Handles and a Sliding Locking Mechanism (different view)—1 pg. <http://www.leatherman.com/multi-tools/retired-products/super-tool-200.aspx> website visited Mar. 23, 2009.

Leatherman Blast®, Tough On the Job, Not the Hands—1 pg. <http://www.leatherman.com/multi-tools/full-size-tools/blast.aspx> website visited Apr. 16, 2009.

Leatherman Surge®, The Powerhouse Multi-Tool—1 pg. <http://www.leatherman.com/multi-tools/full-size-tools/surge.aspx> website visited Apr. 16, 2009.

Leatherman Core®, Strongman of the Tool Belt—1 pg. <http://www.leatherman.com/multi-tools/full-size-tools/core.aspx> website visited Apr. 16, 2009.

* cited by examiner

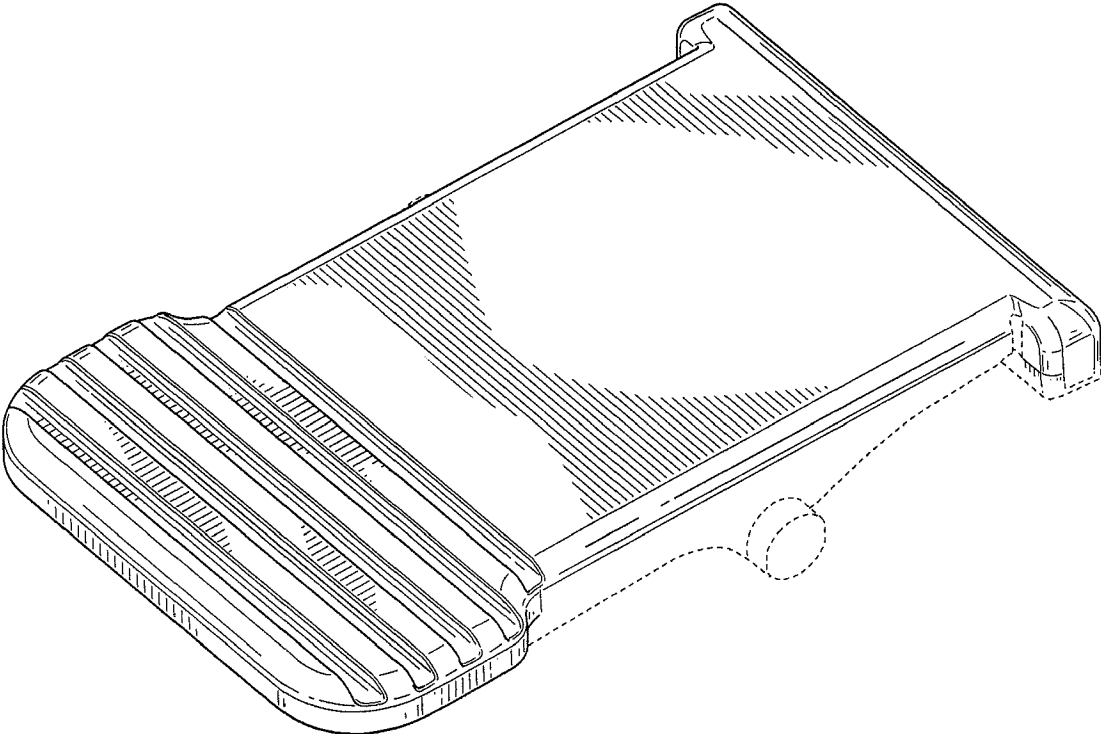


FIG. 1

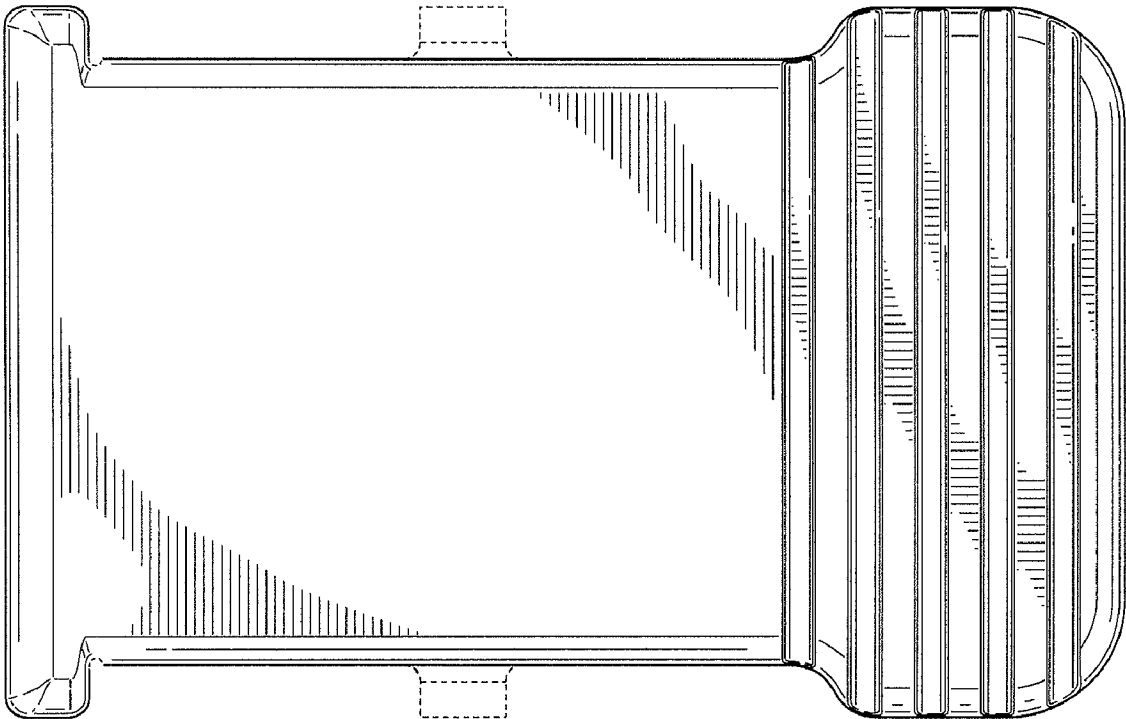


FIG. 2

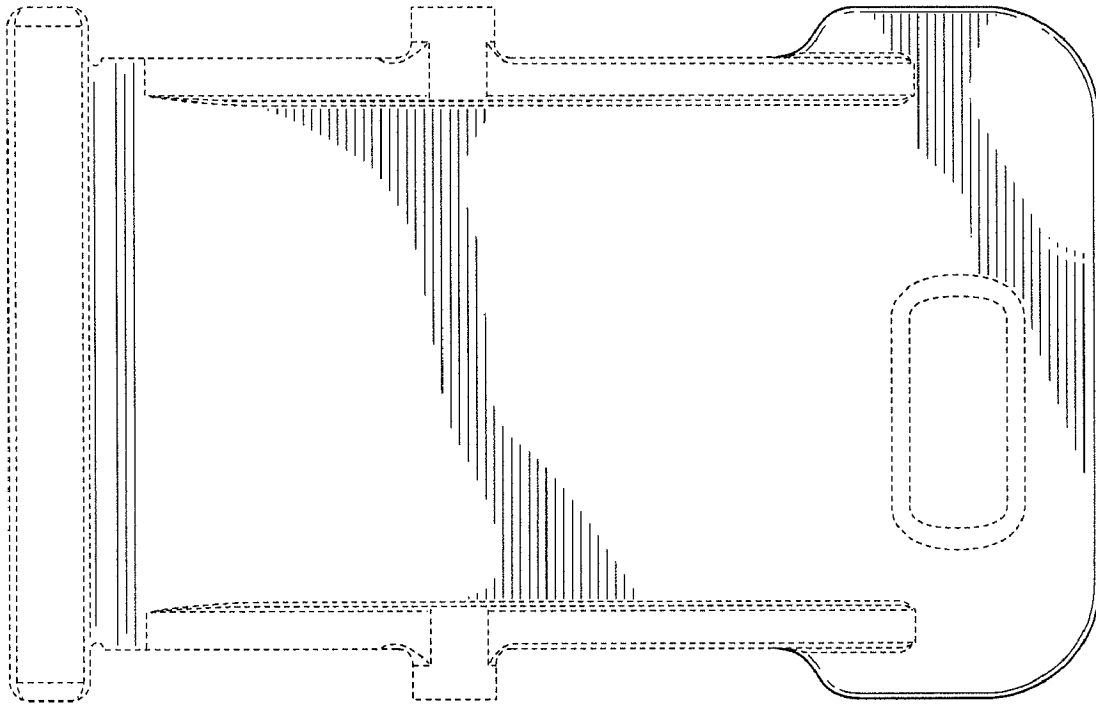


FIG. 3

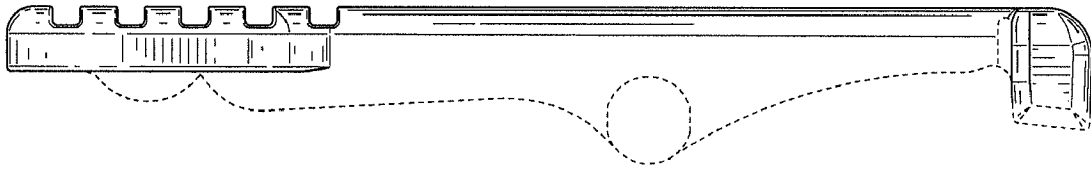


FIG. 4

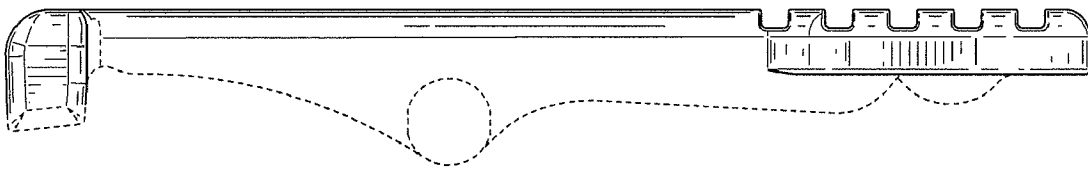


FIG. 5

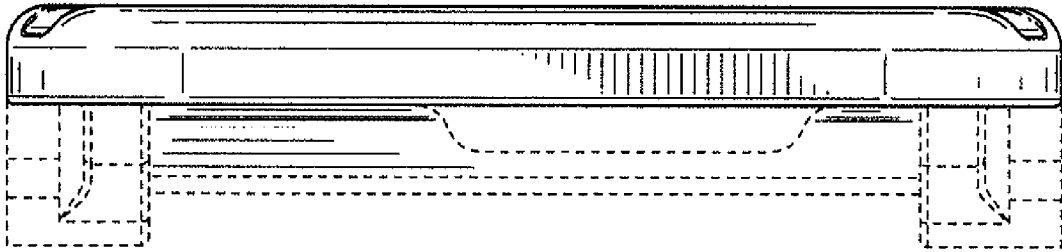


FIG. 6

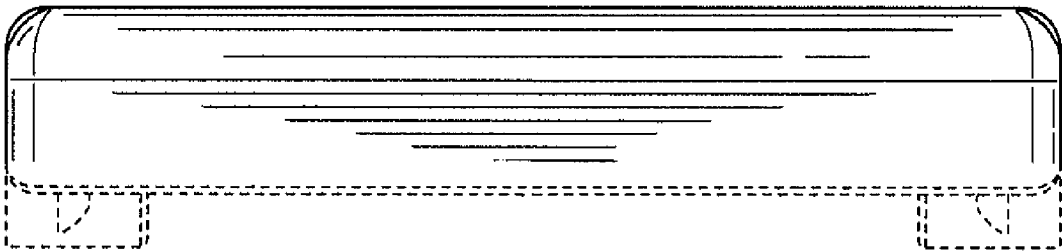


FIG. 7