



US00D497096S1

(12) **United States Design Patent** (10) Patent No.: **US D497,096 S**  
**Rivera et al.** (45) Date of Patent: **\*\* Oct. 12, 2004**

(54) **SIDE PLATE FOR A TOOL HANDLE**  
(75) Inventors: **Benjamin C. Rivera**, West Linn, OR  
(US); **Hollan A. Tsuda**, Portland, OR  
(US); **Nathan E. Knight**, Portland, OR  
(US); **Melissa C. Yale**, Portland, OR  
(US); **Glenn Klecker**, Silverton, OR  
(US)

(73) Assignee: **Leatherman Tool Group, Inc.**,  
Portland, OR (US)

(\*\*) Term: **14 Years**

(21) Appl. No.: **29/197,325**

(22) Filed: **Jan. 13, 2004**

(51) **LOC (7) Cl.** ..... **08-05**  
(52) **U.S. Cl.** ..... **D8/107; D8/105**  
(58) **Field of Search** ..... **D8/54-56, 99,**  
**D8/105, 107; 7/118, 119, 125-135, 158,**  
**163-166, 168; 30/160, 161; 81/427.5, 440**

(56) **References Cited**

**U.S. PATENT DOCUMENTS**

2,869,232 A	1/1959	Kivela	
3,783,509 A	1/1974	Lake	
D280,179 S	8/1985	Miceli	
4,744,272 A	5/1988	Leatherman	
5,111,581 A	5/1992	Collins	
D332,384 S	* 1/1993	Dague	D8/105
D344,006 S	2/1994	Glesser	
D356,019 S	3/1995	Sakai	
D357,166 S	* 4/1995	Concari	D8/107
D367,807 S	3/1996	Hung	
D368,634 S	4/1996	Frazer	
D373,521 S	9/1996	Applegate et al.	
D382,190 S	8/1997	Blackston et al.	
D384,872 S	10/1997	Yeh	
D385,170 S	10/1997	Rivera	
5,711,194 A	1/1998	Anderson	
D398,209 S	9/1998	Rivera	
D398,213 S	9/1998	Rivera	
D405,675 S	2/1999	Rivera	

D405,676 S	2/1999	Rivera	
D406,508 S	3/1999	Rivera	
D406,509 S	3/1999	Rivera	
D407,004 S	3/1999	Hull et al.	
D408,238 S	4/1999	Rivera	
6,003,180 A	* 12/1999	Frazer	7/128
D427,501 S	7/2000	Berg et al.	
D436,514 S	* 1/2001	Rivera	D8/105
D445,009 S	7/2001	Rivera	
D446,708 S	8/2001	Rivera	
D446,709 S	8/2001	Rivera	
D447,039 S	8/2001	Rivera	

(List continued on next page.)

Primary Examiner—Clare E Heflin

(74) Attorney, Agent, or Firm—Chernoff, Vilhauer,  
McClung & Stenzel, LLP

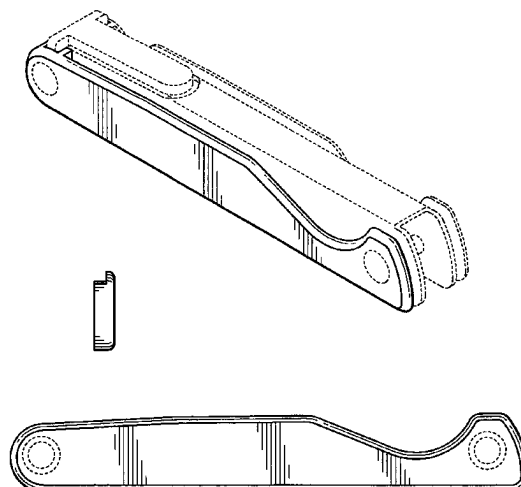
(57) **CLAIM**

The ornamental design for a side plate for a tool handle, as shown and described.

**DESCRIPTION**

FIG. 1 is an isometric view from the upper right front of a side plate for a tool handle including our new design, wherein portions of pivot pins and portions of a tool handle shown in broken line are included merely for illustrative purposes and form no part of the claimed design; FIG. 2 is a top plan view of the side plate for a tool handle shown in FIG. 1; FIG. 3 is a rear end elevational view thereof; FIG. 4 is a right, or outer, side view thereof, wherein countersunk holes for pivot pins shown in broken line are included merely for illustrative purposes and form no part of the claimed design; FIG. 5 is a front end elevational view thereof; FIG. 6 is a bottom plan view thereof; and, FIG. 7 is a left, or inner, side elevational view thereof, wherein holes for pivot pins shown in broken line are included merely for illustrative purposes and form no part of the claimed design.

**1 Claim, 2 Drawing Sheets**



# US D497,096 S

Page 2

---

## U.S. PATENT DOCUMENTS

D447,041 S	8/2001	Rivera	D470,032 S	2/2003	Rivera	
D447,401 S	9/2001	Rivera	D470,372 S	2/2003	Rivera	
6,282,996 B1	9/2001	Berg et al.	D474,670 S	5/2003	Rivera	
6,305,041 B1	10/2001	Montague et al.	D479,788 S *	9/2003	Ocklenburg	..... D8/105
6,318,218 B1 *	11/2001	Anderson et al. ....	6,622,328 B2 *	9/2003	Rivera	..... 7/128
6,427,334 B2	8/2002	Onion	6,625,832 B2 *	9/2003	Montague et al. ....	7/128
D470,031 S	2/2003	Rivera				

\* cited by examiner

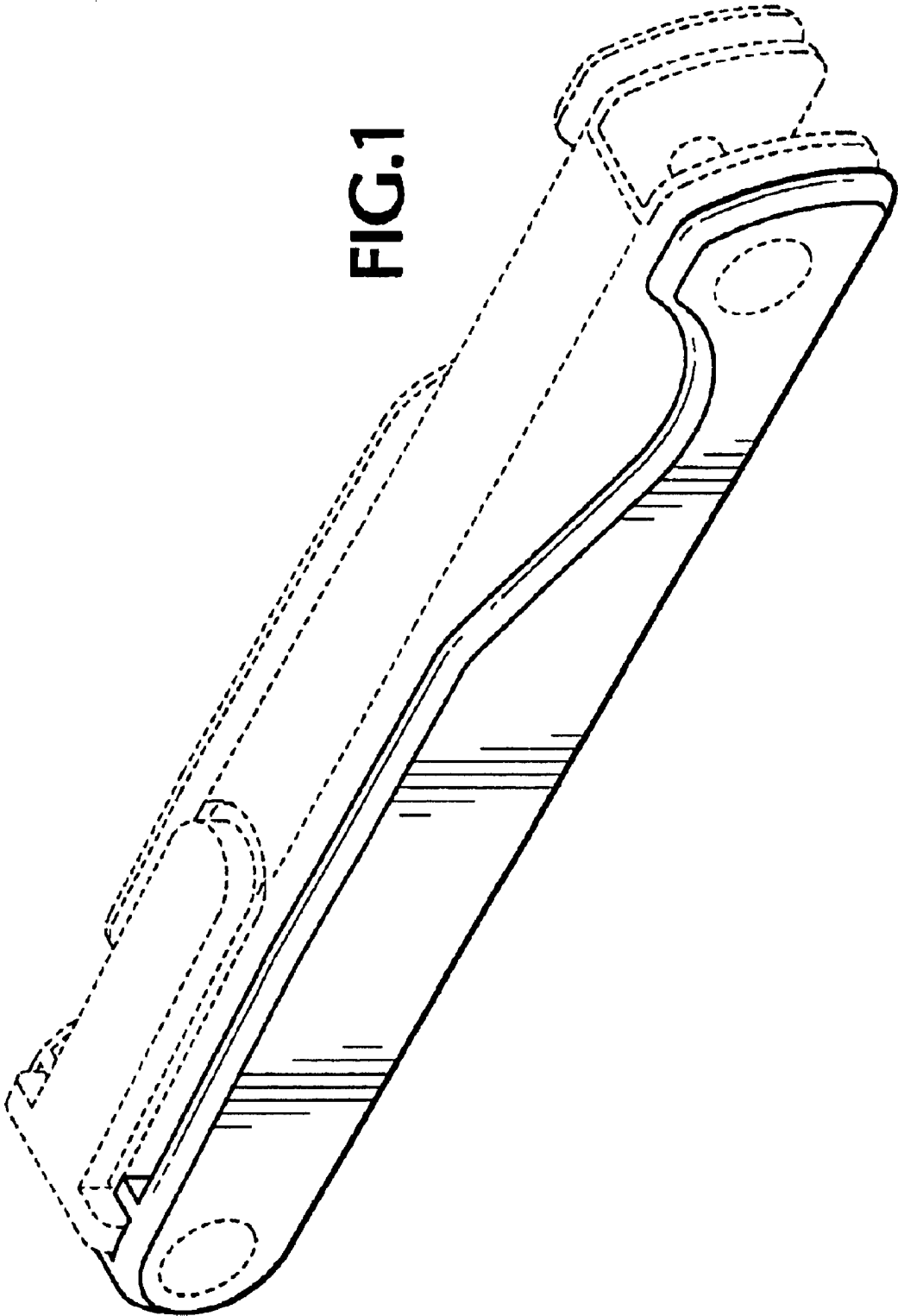


FIG. 1



FIG. 2

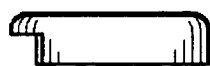


FIG. 3

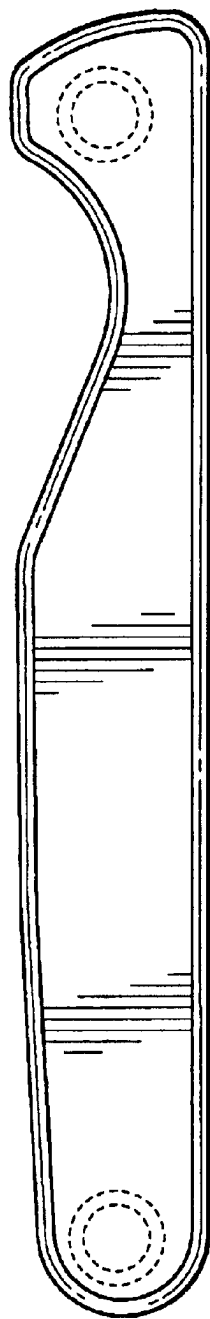


FIG. 4



FIG. 5



FIG. 6

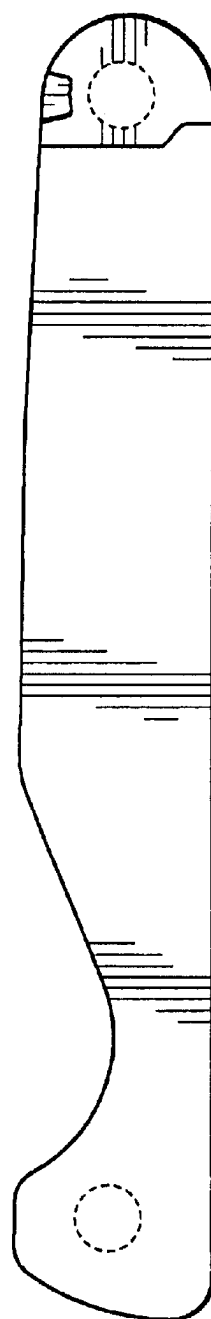


FIG. 7