

FREE

nautical hobo bag



Finished size 46" diameter at widest point x 18" tall, excluding handles.

SUPPLIES & TOOLS:

- Bernat® Handicrafter Cotton Yarn:
 - 1 skein Classic Navy (A)
 - 2 skeins Cream (B)
 - 1 skein Stormy Skies (C)
- Sizes U.S. F/ 5 and U.S. H/8 crochet hooks or size needed for gauge
- 8 large 3/4" grommets
- 2 separating rings: 3" diameter.

GAUGE: 15 sc and 16 rows = 4" with smaller hook.

DIRECTIONS:

When joining colors, work to last 2 loops on hook of first color. Draw new color through last 2 loops and proceed. Ch 2 at beg of rnd does not count as st. Join with sl st to first st at end of each rnd.

With A, and smaller hook, ch 4. Join with sl st to first ch to form a ring.

Rnd 1: Ch 2. 8 hdc in ring. Join with sl st to first hdc.

Rnd 2: Ch 2. 2 hdc in each hdc around. Join with sl st to first hdc. 16 hdc.

Rnd 3: Ch 2. (2 hdc in next hdc. 1 hdc in next hdc) 8 times. Join with sl st to first hdc. 24 hdc.

Rnd 4: Ch 2. (2 hdc in next hdc. 1 hdc in each of next 2 hdc) 8 times. Join with sl st to first hdc. 32 hdc.

Rnd 5: Ch 2. (2 hdc in next hdc. 1 hdc in each of next 3 hdc) 8 times. Join with sl st to first hdc. 40 hdc.

Rnd 6: Ch 2. (2 hdc in next hdc. 1 hdc in each of next 4 hdc) 8 times. Join with sl st to first hdc. 48 hdc.

Cont as established, inc 8 hdc every rnd until there are 184 hdc.

Join B at end of last rnd.

Proceed as follows:

Rnds 1-14: With B, ch 2. 1 hdc in sp between each hdc around. Join with sl st to first hdc.

With C, rep last rnd once more. Join B.

With B, rep last rnd 3 times more. Join A.

Creative Ideas from Jo-Ann

more projects, tips & techniques at Joann.com®

With A, rep last rnd 9 times more. Join B.

With B, rep last rnd 5 times more.

Next rnd: With B, ch 2. (Hdc2tog. 1 hdc in sp between each of next 21 hdc) 8 times. 176 sts.

Next 3 rnds: Ch 2. 1 hdc in sp between each st around. Join with sl st to first hdc.

Next rnd: Ch 2. (Hdc2tog. 1 hdc in sp between each of next 20 hdc) 8 times. 168 sts.

Next 3 rnds: Ch 2. 1 hdc in sp between each st around. Join with sl st to first hdc.

Next rnd: Ch 2. (Hdc2tog. 1 hdc in sp between each of next 19 hdc) 8 times. 160 sts.

Next 8 rnds: Ch 2. 1 hdc in sp between each st around. Join C with sl st to first hdc at end of last rnd.

With C, rep last rnd twice more. Fasten off.

FINISHING:

Fold top 4" down to RS and sew in position.

To mark placement for grommets: See diagram

Lay Bag flat. Mark centers at front and back of Bag.

Place 4 markers 7" and 10" on each side of center on front and back. (8 markers total).

Apply grommets 1½" down from the top of the Bag following the manufacturer's instructions.

Fold in edges of Bag, lining up 4 grommets. Insert metal ring through 4 grommets. Rep on other side of Bag.

With larger hook, join A with sl st to ring. Ch 1. Work 1 rnd of sc around diameter of ring. Join with sl st to first sc. Rep for other ring.

STRAP:

FIRST HALF:

Row 1: (RS). With larger crochet hook, join 2 strands of A with sl st to any sc at top of Ring. Ch 1. 1 sc in each of next 8 sc. Turn.

Row 2: Ch 1. 1 sc in each sc to end of row. Turn.

Rep last row until Strap measures 10" when slightly stretched. Fasten off.

SECOND HALF:

Work as for First Half in other Ring. Do not fasten off.

JOIN HALVES: Place RS of Halves tog with Second Half on top of work.

Working through both thicknesses, ch 1. Work 1 row of sc to end of row. Fasten off.

Place markers 1½" up from each Ring along side of Strap.

Fold Strap in half lengthwise and working through both thicknesses, work 1 row of sc between markers to join sides tog. Fasten off.

ABBREVIATIONS:

Approx = Approximately

Beg = Beginning

Ch = Chain(s)

Cont = Continue(ity)

Hdc = Half double crochet

Hdc2tog = (Yoh and draw up a loop in next stitch) twice.

Yoh and draw through all loops on hook.

Inc = Increase(ing)

Rep = Repeat(ing)

Rnd(s) = Round(s)

Sc = Single crochet

Sl st = Slip stitch

Sp(s) = Space(s)

St(s) = Stitch(es)

Tog = Together

Yoh = Yarn over hook

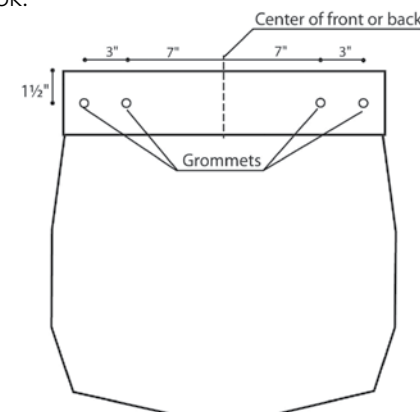


Diagram for grommet placement

Skill Level: Some experience necessary

Crafting Time: Varies

Courtesy of Bernat®

Please read and follow all manufacturers' instructions for all tools and materials used. Provide adult supervision if children participate in this project. #145-4425

©2014 Jo-Ann Stores, LLC

JO-ANN
fabric and craft stores®