

Oster®

**OSTER®
VERSA™
PERFORMANCE
BLENDER**

**The Power to
Blend Everything**

**MÉLANGEUR
PERFORMANCE
VERSA™ OSTER®**

**La puissance pour tout
mélanger**

**LICUADORA
DE ALTO
RENDIMIENTO
OSTER® VERSA™**

**La potencia para
licuar todo**



User Manual / Manuel d'utilisation / Manual del usuario

Visit us at www.osterversa.com

P.N. 155876

Table of Contents

English

Important Safeguards	3
Power Cord Instructions	4
Features and Assembly	5
Using the Product Control Panel	6
Using your Product	7
Blending Tips	8
Caring for Your Product	9
Cleaning	9
Storing	9
7 Year Warranty	10
How to Obtain Warranty Service	10

Français

Précautions de sécurité importantes	11
Instructions concernant le cordon électrique.....	12
Caractéristiques et montage	13
Utilisation du tableau de commande de votre appareil	14
Utilisation de votre appareil.....	15
Conseils de mélange.....	16
Entretien de votre appareil	17
Nettoyage.....	17
Rangement.....	17
Garantie de 7 ans.....	18
Comment obtenir le Service aux termes bénéficié de la garantie.....	18

Español

Reglas de seguridad importantes.....	19
Instrucciones para el cable de corriente	20
Características y ensamblado	21
Uso del panel de control del producto	22
Uso de su producto.....	23
Consejos para licuar	24
Cuidado de su producto	25
Limpieza	26
Almacenamiento.....	26
Garantía de 7 años	27
Cómo obtener el servicio de garantía.....	27

IMPORTANT SAFEGUARDS

When using your blender, you should always follow basic safety precautions, including the following:

- Read all instructions before use.
- To protect against electrical hazards, do not immerse the cord, plug or motor base in water or other liquids.
- Always use the product on a clean, flat, hard, dry surface. There should be no material such as a tablecloth or plastic between the unit and surface.
- Flashing control button LED light indicates ready to operate. Avoid any contact with blades or moveable parts.
- Keep hands and utensils out of jar while blending to reduce the risk of:
 - Severe personal injury.
 - Damage to the blender.
- If scraping is necessary, turn the power OFF, unplug from the electrical outlet, and use a rubber spatula only.
- Do not use the appliance:
 - With a damaged cord or plug.
 - After the unit fails to work correctly.
 - After you drop or damage the product in any way.

Return the product to your nearest Authorized Oster® Appliance Service Center for a safety check, adjustment or repair. Call our toll-free, automated phone line to find the Service Center nearest to you.

- The 6 Point Star Blade is sharp. Handle it carefully. To reduce the risk of injury, never place the blade assembly on the base without a jar properly attached.
- Always put the lid on the jar before operating the blender.
- Do not use outdoors.
- Do not allow the cord to touch hot surfaces or hang over the edge of a table or counter.
- Turn all controls to OFF and unplug the blender when it is not in use, before taking off or putting on parts, and before cleaning.
- Never leave the appliance unattended while it is running.
- You risk personal injury, fire or electric shock if you use attachments, jars or parts other than those recommended by the Oster® brand.
- Supervise children closely when they use or are nearby appliances.
- The use of attachments, including canning or ordinary jar and processing assembly parts, is not recommended by Jarden Consumer Solutions and may cause risk or injury to persons.
- The container should not be more than 2/3 full when the tamper is left in while blending. Do not exceed 20 seconds of continuous blending with the tamper in place.
- When making nut butters or oil based foods, do not process for more than one minute after the mixture starts circulating. Over-processing can cause dangerous overheating.
- When processing hot liquids: the 2-part lid must be securely locked in place. This allows steam to escape naturally, and will prevent the lid from coming off when the machine is turned on. Always start hot liquids on “Low”, then increase to the desired speed in the recipe. Never start on “High” with hot liquids. Use caution with hot liquids.
- Never put non-food items into the pitcher to blend.

SAVE THESE INSTRUCTIONS

This product is for household use only.

- The maximum rating marked on the product is based on the attachment that draws the greatest load. Other attachments may draw less power.

Power Cord Instructions:

Please follow the instructions below to ensure the safe use of the power cord.

- The Oster® Versa™ Performance Blender comes equipped with a three-prong (grounding) plug. If you do not have a three-prong outlet, you can use with an adapter to be able to use with a standard two-prong outlet. Do not cut or remove the third prong from the plug on the power cord.
- Try to position the blender near the power source to reduce the hazards associated with power cords (such as becoming entangled or tripping over a long power cord).
- Do not pull, twist or otherwise abuse the power cord.
- Do not wrap the power cord around the main body of the blender during or after use.
- Do not use an extension cord with this product.



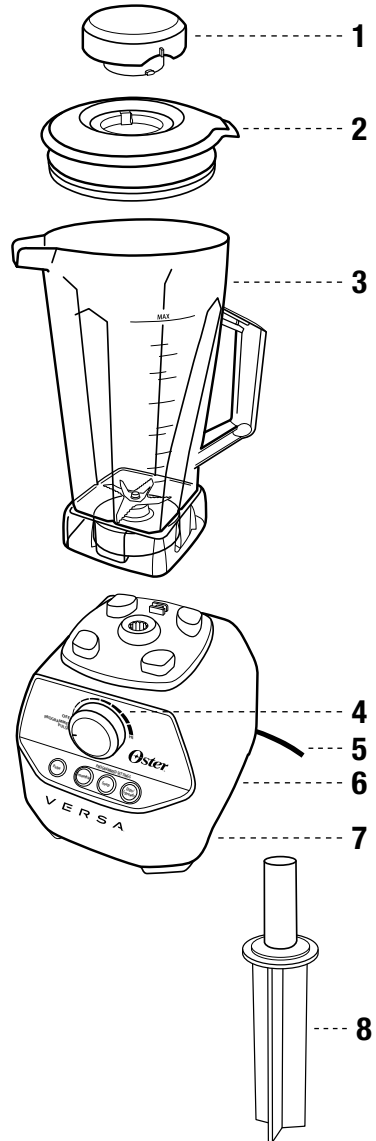
This symbol has been placed in specific areas of the User Guide portion of this book. Its purpose is to help you easily identify instructions that require your special attention.

Welcome

Congratulations on your purchase of your Oster® Versa™ Performance Blender. If you have any comments, questions or inquiries about this revolutionary product, please call 1-800-334-0759.

Learning About Your Product Features and Assembly

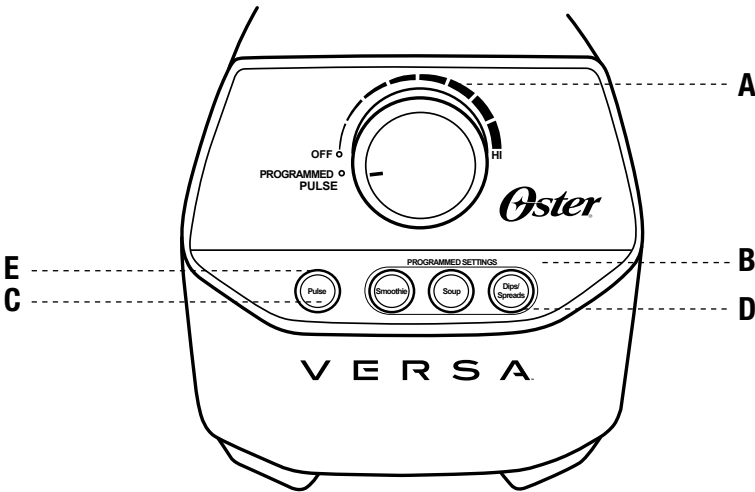
1. **Filler Cap** – 2 oz / 60 ml filler cap doubles as a measuring cup. Align notch with the hole to insert in lid; turn clockwise to secure in place. Remove from lid to add ingredients while blending.
2. **Lid (Flap goes on opposite side of pour spout)** – Seals the jar.
3. **Jar & Blade Assembly** – 64 oz / 2L BPA-free plastic jar with permanently attached blade assembly.
4. **Control Panel** – Includes speed dial, 3 programmed settings and pulse.
5. **Power Cord** – 3-prong power cord.
6. **Fuse** – Incorporated to protect the motor from overheating. If the motor shuts off while in use: Turn control knob to “Off” and unplug from the wall. Remove jar from base and free blade of any obstructions. Press external resettable fuse button on the bottom of the base. Wait 30-45 minutes for the unit to cool.
7. **Cord Storage** – Space on the bottom of the base to store the cord while not in use.
8. **Tamper** – After blending has started, remove the filler cap and place the tamper through the opening in the lid to assist with pushing the food down to the blade. Note – the tamper is not long enough to reach the blade.



Before you use the product for the first time, separate the Tamper, Lid, Filler Cap, and Jar. Wash in warm, soapy water. Rinse and dry well.

Using Your Product Control Panel

- A. **Speed Dial** – Turn dial clockwise to choose from manual speed settings from “Low” to “High”. Once you select a speed, the blender will run until you turn it back to “Off.”
 - B. **Programmed Settings** – In order to activate the programmed buttons, first turn the speed dial counter-clockwise to the Programmed/Pulse Setting. Then select the programmed button you would like to use. They have been developed for optimal use when blending those types of foods.
 - Soup*: 20 second ramp up to “Medium”, 5 minutes on “High”.
 - Dips/Spreads*: 2 (10-second) pulses at “Medium-low”, 30 seconds on “High”.
 - Smoothie*: 10 seconds to ramp up to “Medium”, 20 seconds on “High”.
- NOTE – if you would like to stop the blender in the middle of a programmed cycle, simply press any button.
- C. **Pulse** – Turn the speed dial counter-clockwise to the Programmed/Pulse Setting. Then press the “Pulse” button for the desired time.
 - D. **LED Lights** – the lights around the selected programmed buttons will pulse when the unit is operating in that mode.
 - E. **Flashing Light** – When speed dial is turned to the Programmed/Pulse setting, the Pulse button light will flash red to indicate the unit is ready to operate. Warning: Flashing light indicates ready to operate. Do not touch the blade.



Using your Product

Tamper – The tamper allows you to accelerate the process of very thick and/or frozen mixtures that cannot be processed in a regular blender. If food is not circulating the machine may be overloaded or may have a trapped air bubble. Using the tamper helps to maintain circulation by preventing air pockets from forming. While the machine is running, remove the filler cap, and through the hole in the lid insert the tamper and use it to press ingredients into the blades as you make frozen ice creams, nut butters, etc.

The container should not be more than 2/3 full when the tamper is used during blending.

Do not use tamper for more than 30 consecutive seconds (to avoid stressing the motor).

You may need to move the tamper not only up and down, but also side to side.

Interlock – The unit is supplied with an interlock on the base. This will prevent the motor or the control panel from starting if the blender jar is not properly placed on the base.

If the jar is removed from the base during operation the unit will stop. To restart the blender, turn the speed dial to “Off”, place the jar on the blender base and select the preferred speed to begin again. The motor will not restart unless the unit is turned OFF first.

Blending Tips

- Do not operate for more than 10 minutes at a time
- Jar should be at least 25% full at all times for optimal performance
- Filler cap should always be assembled to the lid and locked when blending hot liquids.
- Use High speeds as much as possible for whole food juices, soups, shakes, frozen mixtures, making purees and nut butters. Processing times will generally be less than one minute (most take less than 30 seconds). High speed provides the best quality of refinement, breaking down ice, frozen fruit, whole fruits or vegetables or a smooth lump-free consistency.
- Never blend without the lid firmly in place on the jar.
- If on High speed the food is not circulating, try using the tamper. If this is also not working, try using a slower speed. Once the food begins to circulate again, you can switch back to a High speed.
- A Quick Response code is located on the back of the base of the unit. Using the Microsoft® Tag application on your smart phone, scan that tag to be directed to the product page to find pertinent product information such as instruction manuals, replacement parts, customer service, recipes, etc.
- Due to the power of the machine, it is normal for it to be fairly loud during operation. Through the blending cycle, the noises may change, but there is no need to be concerned.

Ice Crushing: For optimal ice crushing, fill the jar with preferred amount of ice. Then fill with water just above where the ice stops. Use the speed dial to blend on High for a few seconds. Then drain out the excess water and you are left with a jar filled with great consistent ice!

If the Unit Stops Working:

Fuse/Overload Protection – The motor is designed to protect itself from overheating. When necessary, the motor will turn itself off.

1. Turn control knob to “Off” and unplug from the electrical outlet
2. Remove jar from base and free blade of any obstructions
3. Press external resettable fuse button on the bottom of the base
4. Wait 30-45 minutes for the unit to cool

If the warning light flashes and the motor will not run with the jar in place, the unit has not cooled sufficiently. Turn the control knob to “Off” and wait another 10-20 minutes before trying again.

Caring for Your Product

Cleaning

Base: First turn the control to “Off” and unplug the power cord. Then wash outside surface with a damp soft cloth or sponge using mild soap and warm water. Never immerse the motor base in water or other liquid.

Jar: Fill the container half full with warm water and add 2 drops of liquid soap. Close the jar with the lid and filler cap. Turn Speed Dial on a “Low” speed and then increase to “High”. Run for 30-60 seconds. Turn the machine OFF, rinse the jar out with running water then dry.

Lid & Filler cap: Separate the 2 pieces and wash in warm soapy water. Rinse clean under running water, then dry.

NOTE - Do not put lid, filler cap or jar in the dishwasher.

Storing

After cleaning, store with lid not closed completely to allow air to circulate and prevent container odors.



WARNING: Never put the jar or any other parts in a microwave. Never store foods or drinks in the jar.

7 Year Limited Warranty

Sunbeam Products, Inc. doing business as Jarden Consumer Solutions or if in Canada, Sunbeam Corporation (Canada) Limited doing business as Jarden Consumer Solutions (collectively “JCS”) warrants that for a period of seven years from the date of purchase, this product will be free from defects in material and workmanship. JCS, at its option, will repair or replace this product or any component of the product found to be defective during the warranty period. Replacement will be made with a new or remanufactured product or component. If the product is no longer available, replacement may be made with a similar product of equal or greater value. This is your exclusive warranty. Do NOT attempt to repair or adjust any electrical or mechanical functions on this product. Doing so will void this warranty.

This warranty is valid for the original retail purchaser from the date of initial retail purchase and is not transferable. Keep the original sales receipt. Proof of purchase is required to obtain warranty performance. JCS dealers, service centers, or retail stores selling JCS products do not have the right to alter, modify or any way change the terms and conditions of this warranty.

This warranty does not cover normal wear of parts or damage resulting from any of the following: negligent use or misuse of the product, use on improper voltage or current, use contrary to the operating instructions, disassembly, repair or alteration by anyone other than JCS or an authorized JCS service center. Further, the warranty does not cover: Acts of God, such as fire, flood, hurricanes and tornadoes.

What are the limits on JCS’s Liability?

JCS shall not be liable for any incidental or consequential damages caused by the breach of any express, implied or statutory warranty or condition.

Except to the extent prohibited by applicable law, any implied warranty or condition of merchantability or fitness for a particular purpose is limited in duration to the duration of the above warranty. JCS disclaims all other warranties, conditions or representations, express, implied, statutory or otherwise. JCS shall not be liable for any damages of any kind resulting from the purchase, use or misuse of, or inability to use the product including incidental, special, consequential or similar damages or loss of profits, or for any breach of contract, fundamental or otherwise, or for any claim brought against purchaser by any other party. Some provinces, states or jurisdictions do not allow the exclusion or limitation of incidental or consequential damages or limitations on how long an implied warranty lasts, so the above limitations or exclusion may not apply to you.

This warranty gives you specific legal rights, and you may also have other rights that vary from province to province, state to state or jurisdiction to jurisdiction.

How to Obtain Warranty Service

In the U.S.A.

If you have any question regarding this warranty or would like to obtain warranty service, please call 1-800-334-0759 and a convenient service center address will be provided to you.

In Canada

If you have any question regarding this warranty or would like to obtain warranty service, please call 1 800-667-8623 and a convenient service center address will be provided to you. In the U.S.A., this warranty is offered by Sunbeam Products, Inc. doing business as Jarden Consumer Solutions located in Boca Raton, Florida 33431. In Canada, this warranty is offered by Sunbeam Corporation (Canada) Limited doing business as Jarden Consumer Solutions, located at 20 B Hereford Street, Brampton, Ontario L6Y 0M1. If you have any other problem or claim in connection with this product, please write our Consumer Service Department.

***PLEASE DO NOT RETURN THIS PRODUCT TO ANY OF THESE ADDRESSES
OR TO THE PLACE OF PURCHASE.***

PRÉCAUTIONS DE SÉCURITÉ IMPORTANTES

Quand vous utilisez votre mélangeur, vous devez toujours suivre les précautions de sécurité élémentaires, notamment les suivantes :

- Lisez toutes les instructions avant d'utiliser l'appareil.
- Pour vous protéger contre les dangers d'électrocution, ne plongez ni le cordon ni la fiche ni le socle moteur dans de l'eau ou dans d'autres liquides.
- Utilisez toujours le produit sur une surface propre, plane, dure et sèche. Il ne doit y avoir aucune matière, par exemple une nappe ou du plastique, entre l'appareil et la surface.
- Un bouton de commande lumineux clignotant indique que l'appareil est prêt à fonctionner. Évitez tout contact avec les lames ou les pièces amovibles.
- Gardez les mains et les ustensiles hors du bocal pendant le mélange pour réduire le risque de :
 - graves blessures corporelles,
 - dommages au mélangeur.
- S'il est nécessaire de racler le bocal, arrêtez le mélangeur, débranchez-le de la prise électrique et utilisez uniquement une spatule en caoutchouc.
- N'utilisez pas l'appareil :
 - quand le cordon électrique ou la prise sont endommagés,
 - après que l'appareil n'ait pas réussi à fonctionner correctement,
 - après avoir fait tomber l'appareil ou l'avoir endommagé d'une façon ou d'une autre.

Retournez l'appareil au centre de services des appareils Oster® agréé le plus proche de chez vous pour une inspection de sécurité, un réglage ou une réparation. Appelez notre numéro sans frais et automatisé pour trouver le centre de services le plus près de chez vous.

- La lame-étoile à 6 branches est tranchante. Manipulez-la avec précautions. Pour réduire le risque de blessure, ne placez jamais l'ensemble lame sur le socle sans que le bocal soit correctement attaché.
- Placez toujours le couvercle sur le bocal avant de faire fonctionner le mélangeur.
- Ne l'utilisez pas à l'extérieur.
- Ne laissez pas le cordon électrique toucher les surfaces chaudes ou suspendre sur le rebord d'une table ou d'un comptoir.
- Mettez à l'arrêt toutes les commandes et débranchez le mélangeur quand il n'est pas utilisé, avant de retirer ou de poser des pièces et avant de le nettoyer.
- Ne laissez jamais l'appareil sans surveillance pendant qu'il est en marche.
- Vous risquez de vous blesser, un incendie ou une électrocution si vous utilisez des accessoires, bocaux ou pièces autres que celles recommandées par la marque Oster®.
- Supervisez étroitement les enfants quand ils utilisent des appareils ou sont à proximité.
- L'utilisation d'accessoires, y compris les bocaux à conserve ou ordinaires et les pièces de préparation, n'est pas recommandée par Jarden Consumer Solutions et peut être à l'origine de risques ou de blessures pour les personnes.
- Le récipient ne doit pas être rempli à plus des 2/3 quand le bâton mélangeur est dans le bocal pendant l'opération de mélange. Ne pas mélanger en continu pendant plus de 20 secondes quand le bâton mélangeur est dans le bocal.
- Lors de la préparation de beurres de noix ou d'aliments à base d'huile, n'actionnez pas le mélangeur pendant plus d'une minute une fois que le mélange est suffisamment fluide pour tourner dans le bocal. Une action prolongée du mélangeur peut être cause de surchauffe.
- Lors du mélange de liquides chauds : le couvercle en deux parties doit être bien attaché. Ceci permet à la vapeur de s'échapper naturellement et empêchera le couvercle de se détacher quand l'appareil est en marche. Démarrez toujours sur « Low » (Basse) quand vous mélangez des liquides chauds, puis augmentez la vitesse jusqu'à celle qui est conseillée pour la recette. Ne démarrez jamais sur « High » (Haute) quand vous mélangez des liquides chauds. Faites preuve de précautions avec les liquides chauds.
- Ne mettez jamais de produits non alimentaires dans le bocal pour les mélanger.

CONSERVEZ CES INSTRUCTIONS

Cet appareil est uniquement destiné à une utilisation domestique.

- La capacité nominale maximale marquée sur l'appareil est basée sur l'accessoire qui exerce la plus grande charge. D'autres accessoires peuvent exercer une charge moindre.

Instructions concernant le cordon électrique :

Veillez suivre les instructions ci-dessous pour assurer une utilisation sécuritaire du cordon électrique.

- Le mélangeur Performance Versa™ Oster® est fourni avec une fiche tripolaire de mise à la terre. Si vous n'avez pas de prise tripolaire reliée à la terre, vous pouvez utiliser un adaptateur tripolaire, lequel peut être branché dans la prise ordinaire. Ne coupez pas ni retirez la troisième broche de la fiche du cordon électrique.
- Essayez de placer le mélangeur près de la prise électrique pour réduire les risques associés aux cordons électriques (qui peuvent par exemple s'emmêler ou être à l'origine de trébuchement s'ils sont longs).
- Ne maltraitez pas, d'une manière ou d'un autre, ni ne tordez ni ne tirez sur le cordon électrique.
- N'enroulez pas le cordon électrique autour du mélangeur pendant ou après son utilisation.
- N'utilisez pas de rallonge avec cet appareil.



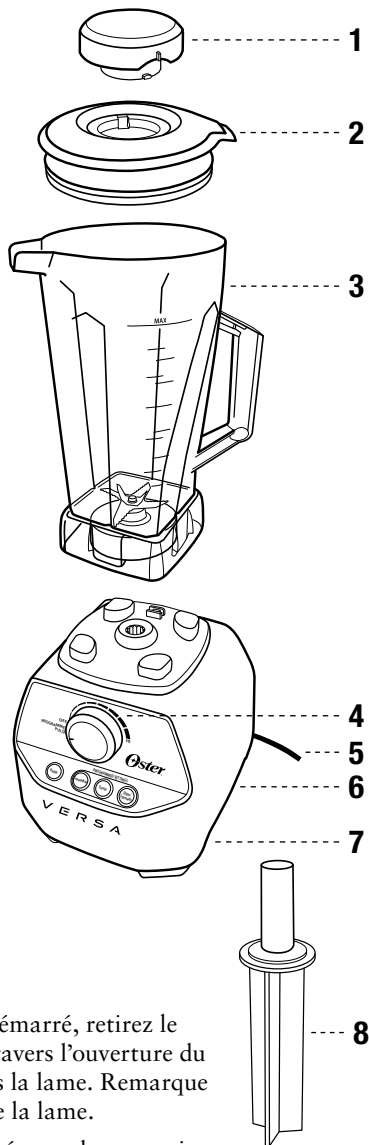
Ce symbole a été placé à des endroits bien précis de cette partie du manuel réservée à l'utilisation de l'appareil. Son but est de vous aider à identifier facilement les instructions nécessitant une attention particulière de votre part.

Bienvenue

Nous vous félicitons d'avoir acheté ce mélangeur Performance Versa™ Oster®. Si vous avez des commentaires, questions ou demandes à propos de cet appareil révolutionnaire, n'hésitez pas à composer le 1-800-334-0759.

Apprenez à mieux connaître votre appareil Caractéristiques et montage

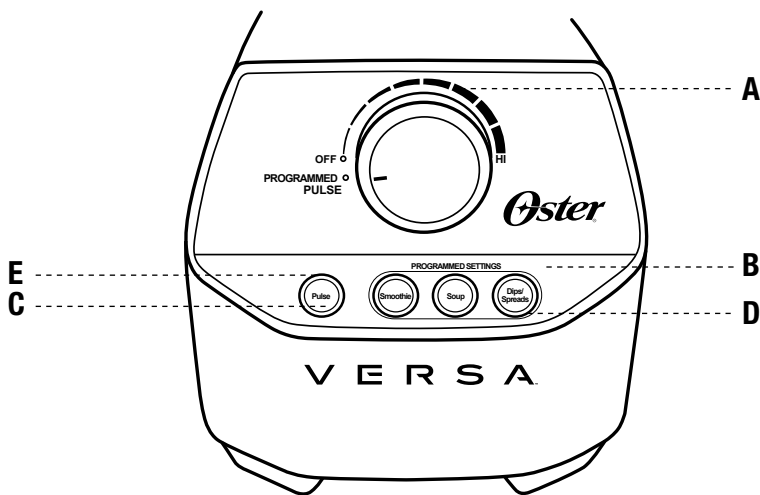
1. **Bouchon-mesure** – le bouchon-mesure de 60 ml/2 oz peut être également utilisé comme tasse à mesurer. Aligned l'encoche avec le trou pour l'insérer dans le couvercle. Tournez dans le sens des aiguilles d'une montre pour bien l'attacher. Retirez-le du couvercle pour ajouter des ingrédients tout en mélangeant.
2. **Couvercle** (le rabat doit être à l'opposé du bec verseur) – Ferme hermétiquement le bocal.
3. **Ensemble bocal et lame** – Bocal en plastique exempt de BPA de 2 l/64 oz avec ensemble lame attaché en permanence
4. **Tableau de commande** – Inclut un cadran de vitesse, 3 réglages programmés et un bouton de commande par impulsion.
5. **Cordon électrique** – Cordon électrique à fiche tripolaire.
6. **Fusible** – Intégré à l'appareil pour empêcher toute surchauffe du moteur. Si le moteur s'arrête pendant l'utilisation de l'appareil : tournez le bouton de commande sur « Off » (Arrêt) et débranchez l'appareil de la prise murale. Retirez le bocal du socle et retirez de la lame de tout ce qui peut la bloquer. Appuyez sur le fusible externe réarmable dans la partie inférieure du socle. Patientez de 30 à 45 minutes jusqu'à ce que l'appareil se soit refroidi.
7. **Logement pour cordon électrique** – Espace aménagé dans la partie inférieure du socle pour ranger le cordon électrique quand il n'est pas utilisé.
8. **Bâton mélangeur** – Une fois que le mélange a démarré, retirez le bouchon de fermeture et insérez le poussoir à travers l'ouverture du couvercle pour aider à pousser les aliments vers la lame. Remarque – le poussoir n'est pas assez long pour atteindre la lame.



Avant d'utiliser le produit pour la première fois, séparez le poussoir, le couvercle, le bouchon-mesure et le bocal. Nettoyez-les dans de l'eau chaude et savonneuse. Rincez et séchez bien.

Utilisation du tableau de commande de votre appareil

- A. Cadran de vitesse** – Tournez le cadran dans le sens des aiguilles d’une montre pour choisir le réglage manuel de vitesse de « Low » (Basse) à « High » (Haute). Une fois que vous avez choisi une vitesse, le mélangeur tournera jusqu’à ce que vous tourniez le bouton à nouveau sur « Off » (Arrêt).
- B. Réglages programmés** – Pour activer les boutons programmés, tournez d’abord le cadran de vitesse dans le sens contraire des aiguilles d’une montre pour l’amener sur la position Programmed/Pulse (Programmé/Impulsion). Sélectionnez ensuite le bouton programmé que vous voulez utiliser. Ils ont été conçus pour une utilisation optimale lors du mélange de ces types d’aliments.
- Soupe : 20 secondes de montée progressive jusqu’à « Medium » (Moyenne), 5 minutes sur « High » (Haute).
- Trempelettes/produits à tartiner : 2 impulsions (10 secondes) à « Medium-low » (Moyenne-Basse), 30 secondes sur « High » (Haute).
- Frappé aux fruits : 10 secondes de montée progressive jusqu’à « Medium » (Moyenne), 20 secondes sur « High » (Haute).
- REMARQUE – Si vous voulez arrêter le mélangeur au milieu d’un cycle programmé, appuyez simplement sur n’importe quel bouton.
- C. Commande impulsion** – Tournez le cadran de vitesse dans le sens contraire des aiguilles d’une montre pour l’amener sur la position Programmed/Pulse (Programmé/Impulsion). Appuyez ensuite sur le bouton « Pulse » (Impulsion) pendant le temps voulu.
- D. Voyants** – Les voyants autour des boutons programmés sélectionnés clignoteront quand l’appareil fonctionne dans ce mode.
- E. Voyant clignotant** – Quand le cadran de vitesse est tourné sur le réglage Programmed/Pulse (Programmé/Impulsion), le bouton lumineux « Pulse » (Impulsion) clignotera en rouge pour indiquer que l’appareil est prêt à fonctionner. Avertissement : un voyant clignotant indique que l’appareil est prêt à fonctionner. Ne touchez pas la lame.



Utilisation de votre appareil

Bâton mélangeur – Le bâton mélangeur vous permet d'accélérer le processus pour des mélanges épais et/ou congelés qui ne peuvent pas être préparés dans un mélangeur standard. Si les aliments ne sont pas suffisamment fluides pour pouvoir tourner dans le bocal, il se peut que l'appareil soit surchargé ou qu'il ait emprisonné une bulle d'air. L'utilisation du poussoir aide à maintenir la fluidité des aliments en empêchant que des poches d'air ne se forment. Pendant que l'appareil tourne, retirez le bouchon-mesure et insérez le poussoir en le faisant passer à travers le trou du couvercle et utilisez-le pour pousser les ingrédients vers la lame quand vous préparez des crèmes glacées, des beurrés de noix, etc.

Le récipient ne doit pas être rempli à plus des 2/3 quand le poussoir est utilisé pendant l'opération de mélange.

N'utilisez pas le poussoir pendant plus de 30 secondes consécutives (pour éviter de surcharger le moteur).

Il se peut que vous deviez agiter le poussoir, non seulement de haut en bas mais également transversalement.

Dispositif de verrouillage – L'appareil est fourni avec un dispositif de verrouillage sur le socle. Celui-ci empêchera le moteur de démarrer ou le panneau de commande de s'activer si le bocal du mélangeur n'est pas correctement placé sur le socle.

Si l'on retire le bocal du socle pendant que l'appareil est en marche, il s'arrêtera. Pour redémarrer le mélangeur, tournez le cadran de vitesse sur « Off » (Arrêt), placez le bocal sur le socle du mélangeur et sélectionnez la vitesse voulue pour commencer à nouveau. Le moteur ne redémarrera pas avant que l'appareil ne soit d'abord sur la position OFF (ARRÊT).

Conseils de mélange

- Ne faites pas fonctionner l'appareil plus de 10 minutes en continu.
- Le bocal doit être au minimum et en permanence plein à 25 % pour que les performances du mélangeur soient optimales.
- Le bouchon-mesure doit toujours être placé sur le couvercle et verrouillé lors du mélange de liquides chauds.
- Utilisez autant que possible des vitesses élevées pour les jus de fruits et de légumes, les soupes, les laits frappés, les mélanges congelés, la préparation de purée et de beurres de noix. Le temps de mélange ne durera généralement que moins d'une minute (la plupart des mélanges ne prennent que 30 secondes). La vitesse haute offre la meilleure qualité pour le raffinage, le pilage de glace, les fruits congelés, les jus de fruits ou de légumes, et une consistance sans grumeau et onctueuse.
- Ne mélangez jamais sans que le couvercle soit bien attaché au bocal.
- Si à vitesse haute, les aliments ne sont pas suffisamment fluides pour tourner dans le bocal, essayez d'utiliser le poussoir. Si les résultats ne sont pas plus probants, essayez d'utiliser une vitesse plus basse. Une fois que les aliments redeviennent suffisamment fluides pour tourner dans le bocal, vous pouvez passer à nouveau à une vitesse haute.
- Un code à barres 2D est situé au dos du socle de l'appareil. À l'aide de l'application code à barres de Microsoft® sur votre téléphone intelligent, balayez ce code pour être dirigé(e) vers la page de produit et trouver des informations pertinentes sur l'appareil, par exemple des manuels d'instructions, des pièces de rechange, le service clientèle, des recettes, etc.
- En raison de la puissance de l'appareil, il est normal qu'il soit relativement bruyant pendant son fonctionnement. Le niveau sonore peut changer en fonction des cycles de mélange, mais il n'y a pas lieu de s'en soucier.

Broyage de glace : pour piler la glace de façon optimale, remplissez le bocal de la quantité de glace souhaitée. Remplissez ensuite d'eau jusqu'à un niveau légèrement supérieur à celui de la glace. Utilisez le cadran de vitesse pour mélanger sur « High » (Haute) pendant quelques secondes. Évacuez ensuite l'excédent d'eau et vous voilà avec un bocal rempli de glace pilée uniforme et d'un très bel aspect!

Si l'appareil s'arrête de fonctionner :

Protection par fusible et contre les surcharges – Le moteur est conçu pour se protéger lui-même de toute surchauffe. Au besoin, le moteur s'arrêtera de lui-même.

1. Tournez le bouton de commande sur « Off » (Arrêt) et débranchez l'appareil de la prise murale.
2. Retirez le bocal du socle et débarrassez la lame de tout ce qui peut l'empêcher de tourner.
3. Appuyez sur le fusible externe réarmable dans la partie inférieure du socle.
4. Patientez de 30 à 45 minutes jusqu'à ce que l'appareil se soit refroidi.

Si le voyant d'avertissement clignote et si le moteur ne tourne pas quand le bocal est en place, l'appareil ne s'est pas refroidi suffisamment. Tournez le bouton de commande sur « Off » (Arrêt) et patientez de 10 à 20 minutes supplémentaires avant d'essayer à nouveau.

Entretien de votre appareil

Nettoyage

Socle : tournez d'abord le bouton de commande sur « Off » (Arrêt) et débranchez le cordon électrique. Nettoyez ensuite la surface externe à l'aide d'un chiffon doux et humide ou d'une éponge en utilisant un savon doux et de l'eau chaude. Ne plongez jamais le socle du moteur dans de l'eau ou dans tout autre liquide.

Bocal : remplissez la moitié du récipient d'eau chaude et ajoutez 2 gouttes de savon liquide. Fermez le bocal à l'aide du couvercle et du bouchon-mesure. Tournez le cadran de vitesse sur « Low » (Basse) et passez ensuite sur « High » (Haute) pour augmenter la vitesse. Faites fonctionner pendant 30 à 60 secondes. Arrêtez l'appareil, rincez le bocal à l'eau courante et séchez-le ensuite.

Couvercle et bouchon-mesure : séparez les 2 pièces et nettoyez-les dans de l'eau chaude savonneuse. Rincez à l'eau courante puis séchez.

REMARQUE – Ne mettez pas le couvercle, le bouchon-mesure ou le bocal dans le lave-vaisselle.

Rangement

Après l'avoir nettoyé, rangez l'appareil sans fermer complètement le couvercle pour laisser l'air circuler et empêcher des odeurs de se développer.



AVERTISSEMENT : ne mettez jamais le bocal ou toute autre pièce dans un four à micro-ondes. Ne conservez jamais d'aliments ou de boissons dans le bocal.

Garantie limitée de sept ans

Sunbeam Products, Inc. faisant affaire sous le nom de Jarden Consumer Solutions ou, au Canada, Sunbeam Corporation (Canada) Limited faisant affaire sous le nom de Jarden Consumer Solutions (collectivement « JCS ») garantit que pour une période de sept ans à compter de la date d'achat, ce produit sera exempt de défauts de pièces et de main-d'œuvre. JCS, à sa discrétion, réparera ou remplacera ce produit ou tout composant du produit déclaré défectueux pendant la période de garantie. Le produit ou le composant de remplacement sera soit neuf soit réusiné. Si le produit n'est plus disponible, il sera remplacé par un produit similaire de valeur égale ou supérieure. Il s'agit de votre garantie exclusive. N'essayez PAS de réparer ou d'ajuster toute fonction électrique ou mécanique de ce produit, cela annulera la présente garantie.

La présente garantie est valide pour l'acheteur initial du produit à la date d'achat initiale et ne peut être transférée. Conservez l'original de votre facture d'achat. Les détaillants et les centres de service JCS ou les magasins de détail vendant les produits JCS n'ont pas le droit d'altérer, de modifier ou de changer, de quelque manière que ce soit, les conditions générales de la présente garantie. La présente garantie ne couvre pas l'usure normale des pièces ou les dommages résultant de toute cause suivante : utilisation négligente ou mauvaise utilisation du produit, utilisation d'une tension ou d'un courant incorrects, utilisation contraire aux instructions d'utilisation, démontage, réparation ou altération par quiconque autre que JCS ou un centre de service agréé de JCS. En outre, la garantie ne couvre pas : les catastrophes naturelles comme les incendies, les inondations, les ouragans et les tornades.

Quelles sont les limites de responsabilité de JCS ?

JCS ne sera pas tenue responsable de tout dommage conséquent ou accessoire causé par la violation de toute garantie ou condition expresse, implicite ou réglementaire. Sauf si cela est interdit par les lois en vigueur, toute garantie ou condition implicite de qualité loyale et marchande ou pour un but particulier est limitée à la durée de la garantie énoncée ci-dessus. JCS exclut toute autre garantie, condition ou représentation, expresse, implicite, réglementaire ou autre. JCS ne sera pas tenue responsable de tout dommage, quel qu'il soit, résultant de l'achat, de l'utilisation ou de la mauvaise utilisation, ou de l'incapacité à utiliser le produit y compris les dommages ou les pertes de revenus conséquents, accessoires, particuliers ou similaires, ou pour toute violation de contrat, fondamentale ou autre, ou pour toute réclamation portée à l'encontre de l'acheteur par toute autre partie. Certaines provinces, États ou juridictions ne permettent pas d'exclusion ou de limitation pour des dommages conséquents ou accessoires ou de limitations sur la durée de la garantie implicite, de ce fait les limitations ou exclusions ci-dessus peuvent ne pas s'appliquer à votre cas. La présente garantie vous donne des droits juridiques particuliers et vous pouvez également disposer d'autres droits pouvant varier d'une province à l'autre, d'un État à l'autre ou d'une juridiction à l'autre.

Comment bénéficier de la garantie

Aux É.U.

Si vous avez des questions concernant la présente garantie ou si vous souhaitez bénéficier de la garantie, veuillez appeler le 1 800-334-0759, et l'adresse d'un centre de service approprié vous sera fournie.

Au Canada

Si vous avez des questions concernant la présente garantie ou si vous souhaitez bénéficier de la garantie, veuillez appeler le 1 800-667-8623 et l'adresse d'un centre de service approprié vous sera fournie. Aux É.U., la présente garantie est offerte par Sunbeam Products, Inc. faisant affaire sous le nom de Jarden Consumer Solutions, située à Boca Raton, Floride 33431. Au Canada, la présente garantie est offerte par Sunbeam Corporation (Canada) Limited faisant affaire sous le nom de Jarden Consumer Solutions, située au 20 B Hereford Street, Brampton, Ontario L6Y 0M1.

Pour tout autre problème ou réclamation en relation avec ce produit, veuillez écrire à notre Service clientèle.

***VEUILLEZ NE PAS RETOURNER CE PRODUIT À AUCUNE DE CES
ADRESSES OU À L'ÉTABLISSEMENT D'ACHAT.***

Imprimé en Chine

INDICACIONES DE SEGURIDAD IMPORTANTES

Cuando use su licuadora, debe seguir siempre una serie de precauciones básicas de seguridad, entre ellas:

- Lea todas las instrucciones antes de usarla.
- Para evitar el riesgo de una descarga eléctrica, no sumerja el cable, el enchufe o la base del motor en agua ni en otro líquido.
- Use siempre el producto sobre una superficie limpia, plana, sólida y seca. Entre la unidad y la superficie no debe haber materiales como manteles o plástico.
- Si parpadea el LED del botón de control, significa que está lista para funcionar. Evite el contacto con las aspas y las partes móviles.
- Mantenga las manos y utensilios alejados del vaso mientras licúa para reducir el riesgo de:
 - Lesiones graves.
 - Daños a la licuadora.
- Si es necesario raspar los alimentos del vaso, APAGUE la unidad, desconéctela del tomacorriente y use sólo una espátula de goma.
- No use el aparato:
 - Con un cable o enchufe dañado.
 - Cuando la unidad no funcione de manera correcta.
 - Después de que se haya caído o dañado de cualquier forma.

Regrese el producto a nuestro Centro de Servicio para Aparatos Oster® Autorizado más cercano para una reparación, ajuste o revisión de seguridad. Llame sin costo al número telefónico automatizado para encontrar el Centro de Servicio más cercano a usted.

- Las aspas en estrella de seis puntas están afiladas. Manéjelas con cuidado. Para reducir el riesgo de lesiones, nunca coloque el conjunto de las aspas en la base si no ha colocado correctamente el vaso de la licuadora.
- Ponga siempre la tapa del vaso en el vaso antes de utilizar la licuadora.
- No la use en exteriores.
- No deje que el cable toque superficies calientes, ni lo deje colgando sobre la orilla de una mesa o encimera.
- APAGUE todos los controles y desconecte la licuadora cuando no esté en uso, antes de montar o desmontar partes y antes de limpiarla.
- Nunca deje sin vigilancia el aparato cuando esté en funcionamiento.
- Usted corre el riesgo de lesiones, incendio o descarga eléctrica si usa accesorios, vasos u otras partes que no sean las recomendadas por la marca Oster®.
- Supervise con mucha atención a los niños cuando usen o estén cerca de aparatos.
- Jarden Consumer Solutions no recomienda el uso de accesorios, como envasadoras o vasos comunes o partes de conjuntos de procesadores, pues pueden producir lesiones.
- El contenedor no deberá llenarse a más de 2/3 cuando se use el empujador mientras se está licuando. No pase de 20 segundos de licuado continuo con el empujador en su sitio.
- Cuando procese alimentos a base de aceite o mantequilla de maní, no lo haga por más de un minuto después de que la mezcla empiece a circular. El procesamiento excesivo puede producir un sobrecalentamiento peligroso.
- Cuando procese líquidos calientes: La tapa del vaso de dos piezas debe estar bien puesta en su lugar. Esto permite que el vapor escape con naturalidad y evitará que la tapa del vaso se despegue cuando el aparato se encienda. Siempre empiece a licuar los líquidos calientes en “Low” (Baja) y luego aumente a la velocidad indicada en la receta. Nunca empiece en “High” (Alta) con líquidos calientes. Tenga cuidado con los líquidos calientes.
- Nunca intente licuar cosas que no sean alimentos.

GUARDE ESTE INSTRUCTIVO

Este producto es sólo para uso doméstico.

- El nivel máximo marcado en el producto se basa en el accesorio que usa la carga máxima. Otros accesorios pueden usar menos energía.

Instrucciones para el cable de corriente:

Siga este instructivo para usar con seguridad el cable de corriente.

- La licuadora de alto desempeño Oster® Versa™ está equipada con un enchufe trifásico (con conexión a tierra). Si no tiene un tomacorriente trifásico, puede usar un adaptador para poder usarlo en un tomacorriente estándar de dos polos. No corte ni elimine el tercer polo del enchufe del cable de corriente.
- Trate de colocar la licuadora cerca de la fuente eléctrica para reducir los riesgos relacionados con cables de corriente (como enredarse o tropezarse con éstos).
- No jale, tuerza ni maltrate de ninguna otra forma el cable de corriente.
- No enrolle el cable de corriente alrededor de la licuadora durante o después de usarla.
- No use un cable de extensión con este producto.



Este símbolo se ha colocado en áreas específicas de la Guía del usuario de este libro. Su propósito es ayudarlo a identificar con facilidad las instrucciones que requieran de su atención especial.

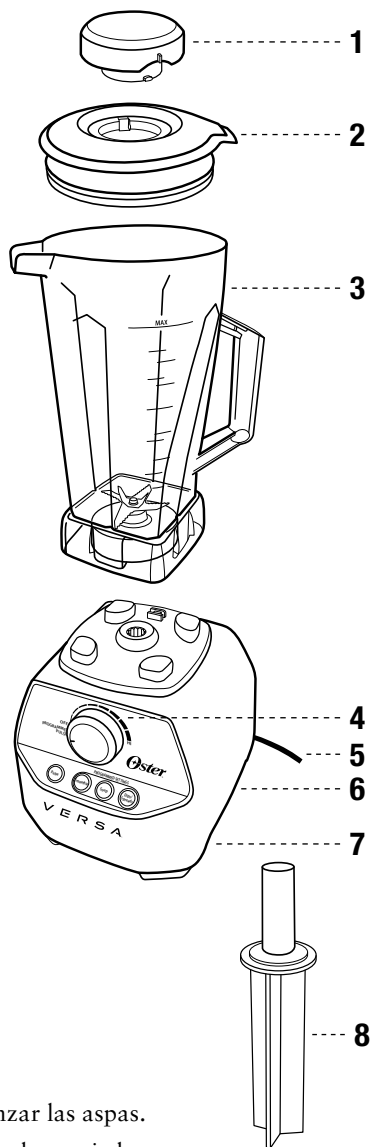
Le damos la bienvenida

Felicitaciones por la compra de su licuadora de alto desempeño Oster® Versa™. Si tiene algún comentario, pregunta o duda sobre este revolucionario producto, llame al 1-800-334-0759.

Conozca su producto

Características y ensamblado

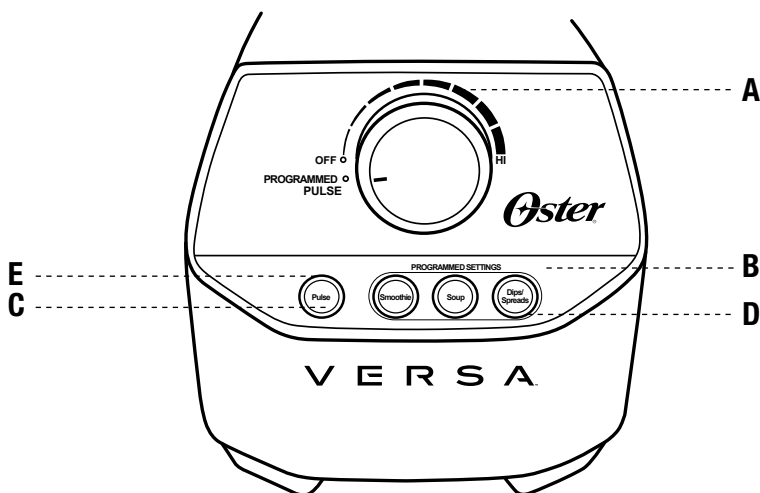
1. **Tapa de llenado** – La tapa de llenado de 2 oz/60 ml también sirve como taza medidora. Alinee la muesca con el orificio para insertarlo en la tapa del vaso y gírela en el sentido de las manecillas del reloj para asegurarla en su sitio. Quite la tapa de llenado para agregar ingredientes mientras se está licuando.
2. **Tapa del vaso** (La aleta queda del lado opuesto a la punta de vaciado) – Sella el vaso.
3. **Vaso y conjunto de aspas** – el vaso de plástico sin BPA de 64oz/2L con conjunto de aspas incorporado.
4. **Panel de control** – Incluye una perilla de velocidades, 3 configuraciones programadas y pulso.
5. **Cable de corriente** – Cable de corriente trifásico.
6. **Fusible** – Incorporado para proteger el motor contra el sobrecalentamiento. Si el motor se apaga cuando está en uso: Gire la perilla a “Off” (Apagar) y desconecte el aparato del tomacorriente. Quite el vaso de la base y desbloquee las aspas. Presione el botón del fusible externo para restablecer en la parte inferior de la base. Espere de 30 a 45 minutos para que la unidad se enfríe.
7. **Cavidad para guardar el cable** – Espacio en la parte inferior de la base para guardar el cable cuando no esté en uso.
8. **Empujador** – Cuando ha empezado a licuar, quite la tapa de llenado y coloque el empujador en la abertura de la tapa del vaso para ayudar a empujar la comida hacia las aspas.
Nota – El empujador no es tan largo para alcanzar las aspas.



Antes de usar el producto por primera vez, separe el empujador, la tapa del vaso, la tapa de llenado y el vaso. Lávelos con agua jabonosa y tibia. Enjuague y seque bien.

Uso del panel de control del producto

- A. Perilla de velocidades** – Gire la perilla en el sentido de las manecillas del reloj en las configuraciones manuales de velocidad desde “Low” (Baja) a “High” (Alta). Cuando haya seleccionado una velocidad, la licuadora funcionará hasta que la devuelva a la posición “Off” (Apagada).
- B. Configuraciones programadas** – Con el fin de activar los botones programados, gire primero la perilla de velocidad en contra de las manecillas del reloj a la configuración Programmed/Pulse (Programadas/Pulso). Luego seleccione el botón programado que desea usar.
- Estas configuraciones se han desarrollado para un uso óptimo cuando licua estos tipos de alimentos.
- Sopa: Aumento progresivo por 20 segundos hasta “Medium” (Media), 5 minutos en “High” (Alta).
- Untables: 2 pulsos (10 segundos) a “Medium-Low”, 30 segundos en “High”.
- Zumo (Smoothie): Aumento progresivo por 10 segundos hasta “Medium”, 20 segundos en “High”.
- NOTA – Si desea detener la licuadora a mitad de un ciclo programado, basta con oprimir cualquier botón.
- C. Pulso** – Gire la perilla de velocidad en contra de las manecillas del reloj a la configuración Programmed/Pulse. Luego oprima el botón “Pulse” (Pulso) durante el tiempo deseado.
- D. Luces LED** – Las luces alrededor de los botones programados que seleccione parpadearán cuando la unidad esté operando en ese modo.
- E. Luz parpadeando** – Cuando la perilla de velocidad se gire a la configuración Programmed/Pulse, la luz del botón Pulse parpadeará en rojo para indicar que la unidad está lista para operar. Advertencia: La luz parpadeante indica que la licuadora está lista para operar. No toque las aspas.



Uso de su producto

Empujador – El empujador le permite acelerar el proceso para mezclas muy espesas o congeladas que no se pueden procesar en una licuadora regular. Si la comida no está circulando, la máquina se puede sobrecargar o puede tener una burbuja de aire atrapado.

Al usar el empujador, ayuda a mantener la circulación evitando la formación de bolsas de aire. Cuando la máquina esté en operación, quite la tapa de llenado, inserte el empujador por el orificio de la tapa del vaso y úselo para empujar los ingredientes hacia las aspas cuando haga helados, mantequilla de maní, etc.

El contenedor no deberá llenarse a más de $2/3$ cuando se use el empujador mientras se está licuando.

No use el empujador por más de 30 segundos consecutivos para evitar forzar el motor.

Puede ser necesario que mueva el empujador no sólo hacia arriba y hacia abajo, sino también de lado a lado.

Seguro – La unidad cuenta con un seguro en la base. Esto evitará que el motor o el panel de control enciendan la unidad si el vaso de la licuadora no está bien colocado en la base.

Si el vaso se quita de la base durante la operación, la unidad se detendrá. Para volver a encender la licuadora, gire la perilla de velocidad a “Off” (Apagar), coloque el vaso en la base de la licuadora y seleccione la velocidad preferida para empezar de nuevo. El motor no volverá a encenderse a menos que la unidad se APAGUE primero.

Consejos para licuar

- No use la unidad por más de 10 minutos a la vez.
- El vaso deberá estar por lo menos 25% lleno en todo momento para un funcionamiento óptimo.
- La tapa de llenado siempre deberá estar colocada en la tapa del vaso y asegurada cuando se licuen líquidos calientes.
- Use las velocidades Altas lo más posible para jugos, sopas, batidos, mezclas congeladas, purés y mantequillas. Los tiempos de procesamiento por lo general serán menores a un minuto (la mayoría tarda menos de 30 segundos). Una velocidad alta proporciona la mejor calidad de refinamiento, molido de hielo, fruta congelada, verduras o frutas enteras o una consistencia suave sin grumos.
- Nunca licue sin colocar la tapa del vaso con firmeza en su sitio.
- Si con una velocidad Alta la comida no circula, use el empujador. Si esto tampoco funciona, intente usar una velocidad más baja. Cuando la comida empiece a circular de nuevo, puede volver a una velocidad Alta.
- En la parte trasera de la base de la unidad se localiza un código de respuesta rápida. Use la aplicación con la etiqueta Microsoft® de su smart phone, escanee la etiqueta para que lo dirijan a la página del producto con el fin de encontrar información pertinente del producto como instructivos, partes de reemplazo, servicio al cliente, recetas, etc.
- Debido a la potencia de la máquina, es normal que haga mucho ruido durante la operación. Durante el ciclo de licuado, los ruidos pueden cambiar, pero esto no es motivo de preocupación.

Molido de hielo: Para un molido óptimo de hielo, llene el vaso con la cantidad elegida de hielo. Luego llene con agua justo por debajo del nivel del hielo. Use la perilla de velocidad para licuar a velocidad Alta durante unos cuantos segundos. Luego drene el exceso de agua y usted tendrá un vaso lleno con hielo de muy buena consistencia.

Si la unidad deja de funcionar:

Fusible/Protección contra sobrecarga – El motor está diseñado para protegerse contra sobrecalentamiento. Cuando sea necesario, el motor se apagará por sí mismo.

1. Gire la perilla a “Off” (Apagar) y desconecte el aparato del tomacorriente.
2. Quite el vaso de la base y desbloquee las aspas.
3. Presione el botón del fusible externo para restablecer en la parte inferior de la base.
4. Espere de 30 a 45 minutos para que la unidad se enfríe.

Si la luz de advertencia parpadea y el motor no enciende con el vaso en su sitio, la unidad no se ha enfriado lo suficiente. Gire la perilla de control a “Off” (Apagada) y espere otros 10 a 20 minutos antes de intentarlo de nuevo.

Cuidado de su producto

Limpieza

Base: Gire primero el control a Off y desconecte el cable de corriente. Luego limpie la superficie exterior con una esponja o un paño suave y húmedo con jabón neutro y agua tibia. Nunca sumerja la base del motor en agua ni otro líquido.

Vaso: Llene el contenedor a la mitad con agua tibia y agregue dos gotas de jabón líquido.

Cierre el vaso con su tapa y la tapa de llenado. Gire la perilla de velocidad a “Low” (Baja) y aumentela a “High” (Alta). Deje funcionar de 30 a 60 segundos. APAGUE la máquina, enjuague el vaso con agua y luego séquelo.

Tapa del vaso y tapa de llenado: Separe las 2 partes y lávelas con agua jabonosa y tibia. Enjuague con agua y luego séquelas.

NOTA – No ponga la tapa del vaso, la tapa de llenado o el vaso en un lavavajillas.

Almacenamiento

Después de limpiar, almacene sin cerrar por completo la tapa del vaso para permitir que el aire circule y evitar que encierre olores.



ADVERTENCIA: Nunca ponga el vaso ni ninguna otra parte en un horno de microondas. Nunca almacene alimentos ni bebidas en el vaso.

Garantía Limitada de siete años

Sunbeam Products, Inc. operando bajo el nombre de Jarden Consumer Solutions, o en Canadá, Sunbeam Corporation (Canada) Limited operando bajo el nombre de Jarden Consumer Solutions, (en forma conjunta, "JCS"), garantiza que por un período de siete años a partir de la fecha de compra, este producto estará libre de defectos de materiales y mano de obra. JCS, a su elección, reparará o reemplazará este producto o cualquier componente del mismo que presente defectos durante el periodo de garantía. El reemplazo se realizará por un producto o componente nuevo o reparado. Si el producto ya no estuviera disponible, se lo reemplazará por un producto similar de valor igual o superior. Ésta es su garantía exclusiva. No intente reparar o ajustar ninguna función eléctrica o mecánica de este producto. Al hacerlo eliminará ésta garantía. La garantía es válida para el comprador minorista original a partir de la fecha de compra inicial y la misma no es transferible. Conserve el recibo de compra original. Para solicitar servicio en garantía se requiere presentar un recibo de compra. Los agentes y centros de servicio de JCS o las tiendas minoristas que venden productos de JCS no tienen derecho a alterar, modificar ni cambiar de ningún otro modo los términos y las condiciones de esta garantía.

Esta garantía no cubre el desgaste normal de las piezas ni los daños que se produzcan como resultado de uso negligente o mal uso del producto, uso de voltaje incorrecto o corriente inapropiada, uso contrario a las instrucciones operativas, y desarme, reparación o alteración por parte de un tercero ajeno a JCS o a un Centro de Servicio autorizado por JCS. Asimismo, la garantía no cubre actos fortuitos tales como incendios, inundaciones, huracanes y tornados.

¿Cuál es el límite de responsabilidad de JCS?

JCS no será responsable de daños incidentales o emergentes causados por el incumplimiento de alguna garantía o condición expresa, implícita o legal.

Excepto en la medida en que lo prohíba la ley aplicable, cualquier garantía o condición implícita de comerciabilidad o aptitud para un fin determinado se limita, en cuanto a su duración, al plazo de la garantía antes mencionada. JCS queda exenta de toda otra garantías, condiciones o manifestaciones, expresa, implícita, legal o de cualquier otra naturaleza. JCS no será responsable de ningún tipo de daño que resulte de la compra, uso o mal uso del producto, o por la imposibilidad de usar el producto, incluidos los daños incidentales, especiales, emergentes o similares, o la pérdida de ganancias, ni de ningún incumplimiento contractual, sea de una obligación esencial o de otra naturaleza, ni de ningún reclamo iniciado contra el comprador por un tercero. Algunas provincias, estados o jurisdicciones no permiten la exclusión o limitación de los daños incidentales o emergentes ni las limitaciones a la duración de las garantías implícitas, de modo que es posible que la exclusión o las limitaciones antes mencionadas no se apliquen en su caso.

Esta garantía le otorga derechos legales específicos y es posible que usted tenga otros derechos que varían de un estado, provincia o jurisdicción a otro.

Cómo solicitar el servicio en garantía

En los Estados Unidos

Si tiene alguna pregunta sobre esta garantía o desea recibir servicio de garantía, llame al 1 800-334-0759 y podrá obtener la dirección del centro de servicio que le resulte más conveniente.

En Canadá

Si tiene alguna pregunta sobre esta garantía o desea recibir servicio de garantía, llame al 1 800-667-8623 y podrá obtener la dirección del centro de servicio que le resulte más conveniente.

En los Estados Unidos, esta garantía es ofrecida por Sunbeam Products, Inc. operando bajo el nombre de Jarden Consumer Solutions, Boca Ratón, Florida 33431. En Canadá, esta garantía es ofrecida por Sunbeam Corporation (Canada) Limited operando bajo el nombre de Jarden Consumer Solutions, 20 B Hereford Street, Brampton, Ontario L6Y 0M1. Si usted tiene otro problema o reclamo en conexión con este producto, por favor escriba al Departamento de Servicio al Consumidor.

***POR FAVOR NO DEVUELVA ESTE PRODUCTO A NINGUNA DE
ESTAS DIRECCIONES NI AL LUGAR DE COMPRA.***



For product questions contact:
Sunbeam Consumer Service
USA : 1.800.334.0759
Canada : 1.800.667.8623
Mexico : 1.800.506.1700
www.oster.com

© 2012 Sunbeam Products, Inc. doing business as Jarden Consumer Solutions.
All rights reserved. Distributed by Sunbeam Products, Inc. doing business as
Jarden Consumer Solutions, Boca Raton, Florida 33431.

Pour les questions de produit:
Sunbeam Consumer Service
États-Unis : 1.800.334.0759
Canada : 1.800.667.8623
Mexique : 1.800.506.1700
www.oster.com

© 2012 Sunbeam Products, Inc. faisant affaires sous le nom de Jarden Consumer Solutions.
Tous droits réservés. Distribué Sunbeam Corporation(Canada) Limited faisant affaires sous le
nom de Jarden Consumer Solutions, 20B Hereford Street, Brampton (Ontario) L6Y 0M1.

Para preguntas sobre los productos llama:
Sunbeam Consumer Service
EE.UU. : 1.800.334.0759
Canadá : 1.800.667.8623
México : 1.800.506.1700
www.oster.com

© 2012 Sunbeam Products, Inc. operando bajo el nombre de Jarden Consumer Solutions.
Todos los derechos reservados. Distribuido por Sunbeam Products, Inc. operando bajo
el nombre de Jarden Consumer Solutions, Boca Raton, Florida 33431.

SPR-121611-769

Printed in China Imprimé en Chine Impreso en China