

This Data Sheet Includes Information On

**Marvel**

• Product Model Number (s): •

Chateau Collection Dual Zone Wine Cellar:  
6SDZE-BB-G and 6SDZE-BS-G

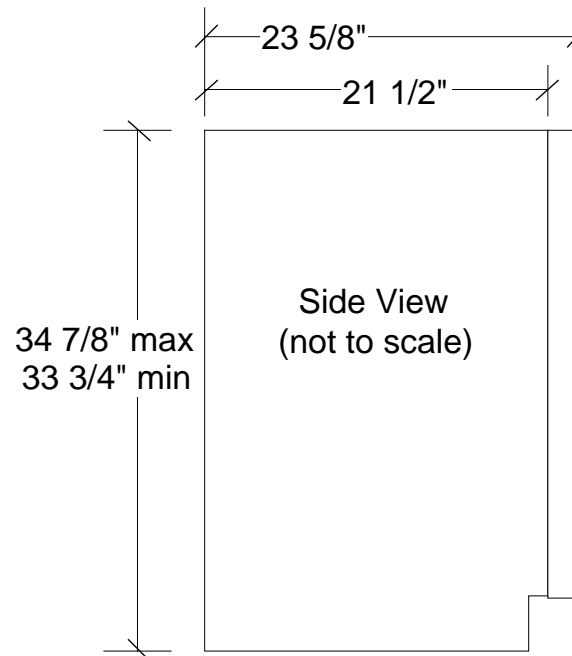
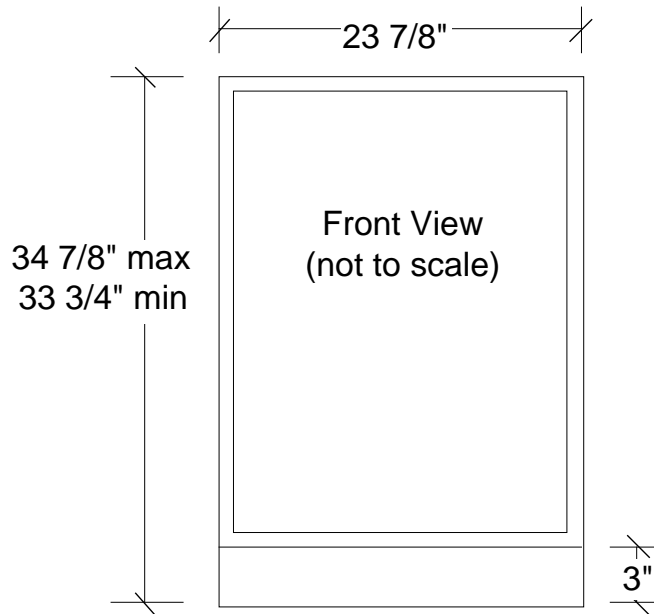
• Dimensions (Actual Size) •

- Overall depth including handle: 25 3/4"
- Overall depth NOT including handle: 23 5/8"
- Depth NOT including door: 21 1/2"
- Height at full leg adjustment: 34 7/8"
- Height at 0" leg adjustment: 33 3/4"
- Width: 23 7/8"
- Toe Kick height: 3"
- Door swing at 90°: 25 1/2"
- Recommended opening width: 24"
- Recommended opening depth: 24"
- Recommended opening height: 34 1/2"

• Additional Information •

- Electrical requirements: 120 volts, 3 amps running max. 15 amp circuit required.
- Locate a 3-prong grounded receptacle in one of three locations: 1) On the wall in the adjacent cabinet opening. 2) Flush on the back wall of the refrigerator opening (add 5/8" to the overall depth of the unit to accommodate the low profile plug). 3) Recessed 1" into the back wall of the refrigerator opening.
- Door must be ordered hinged right (-R) or hinged left (-L). Door is NOT reversible in field.
- Optional door lock is available.
- Wine racks may be fully extended at 90° door opening.
- Shipping weight: 170 pounds.
- U.L. Listed.
- Full wrap door with designer full-length bar handle.
- Does not accept custom panels.

See page 2 for additional information



Subject to change without notice. This system is designed to be updated daily if necessary. Dimension Express is not responsible for use of superseded, voided, or outdated data sheets. Because of the difficulty or impracticability of determining actual damages, liability of Dimension Express shall not exceed \$50.00.

Copyright © Dimension Express, 2008.

318

• NEVER reuse Data Sheets. Data Sheets are subject to change without notice. Dimension Express is a FREE service bureau and is updated daily, it makes far more sense to spend the time necessary to request new Data Sheets for each project, as opposed to the problems, time, costs, and risks associated with reusing old Data Sheets.

- Call Dimension Express if you have any questions at (800) 940-2059 •
- Always refer to a current Code at a Glance or manufacturer directory •
- Data Sheet codes change on the first of each quarter at 12:01am •

BN • A318B149 • • 081703 • 73221 • 73940

Chateau Collection Dual Zone Wine Cellar:  
6SDZE-BB-G and 6SDZE-BS-G

Additional Information:

- 6SDZE-BB-G-R : Black cabinet, black frame glass door, high gloss ebony interior. Shelf fronts are clear, solid maple (unfinished). Door is hinged right.
- 6SDZE-BB-G-L : Black cabinet, black frame glass door, high gloss ebony interior. Shelf fronts are clear, solid maple (unfinished). Door is hinged left.
- 6SDZE-BS-G-R: Black cabinet, stainless finish frame glass door, high gloss ebony interior. Shelf fronts are clear, solid maple (unfinished). Door is hinged right.
- 6SDZE-BS-G -L Black cabinet, stainless finish frame glass door, high gloss ebony interior. Shelf fronts are clear, solid maple (unfinished). Door is hinged left.

Accessories:

- Casters: P/N 42244041.
- Marvel Shelf Front Kits: Prefinished shelf fronts (6) in gloss black, stainless steel or natural maple.

Subject to change without notice. This system is designed to be updated daily if necessary. Dimension Express is not responsible for use of superseded, voided, or outdated data sheets. Because of the difficulty or impracticability of determining actual damages, liability of Dimension Express shall not exceed \$50.00. Copyright © Dimension Express, 2008.

149

• NEVER reuse Data Sheets. Data Sheets are subject to change without notice. Dimension Express is a FREE service bureau and is updated daily, it makes far more sense to spend the time necessary to request new Data Sheets for each project, as opposed to the problems, time, costs, and risks associated with reusing old Data Sheets.

- Call Dimension Express if you have any questions at (800) 940-2059 •
- Always refer to a current Code at a Glance or manufacturer directory •
- Data Sheet codes change on the first of each quarter at 12:01am •

BN • A318B149 • • 081703 • 73221 • 73940