

Reiker Room Conditioner Lifetime Limited Warranty

The retailer warrants the fan motor to be free from defects in workmanship and material present at time of shipment from the factory for a lifetime after the date of purchase by the original purchaser. The retailer also warrants that all other fan parts, excluding any glass or Plexiglas blades, to be free from defects in workmanship and material at the time of shipment from the factory for a period of one year after the date of purchase by the original purchaser. We agree to correct such defects without charge or at our option replace with a comparable or superior model if the product is returned to the retailer. To obtain warranty service, you must present a copy of the receipt as proof of purchase. All costs of removing and reinstalling the product are your responsibility. Damage to any part such as by accident or misuse or improper installation or by affixing any accessories. Is not covered by the warranty. Because of varying climatic conditions in the United States this warranty does not cover any changes in brass finish, including but not limited to rusting, pitting, corroding, tarnishing, or peeling. Brass finishes of this type give their longest useful life when protected from varying weather conditions. A certain amount of wobble is normal and should not be considered as a defect. Servicing performed by unauthorized persons will render the warranty invalid. There is no other expressed warranty. The retailer hereby disclaims any and all warranties, including but not limited to, those of merchantability and fitness for a particular purpose to the extent permitted by law. The duration of any implied warranty, which cannot be disclaimed, is limited to the time period as specified in the express warranty. Some states do not allow limitations on how long our implied warranty lasts, so the above limitation may not imply to you. The retailer shall not be liable for incidental, consequential, or special damages arising out of or in connection with product use or performance except as may otherwise be accorded by law. Some states do not allow the exclusion of incidental or consequential damages, so the above exclusion or limitation may not apply to you. This warranty gives specific legal rights, and you may also have other rights, which vary from state to state. This warranty supersedes all other warranties.

Lifetime Limited Warranty

Date Purchased _____

Store Purchased _____

Model No. RRC-120002 (Texture White)
RRC-120003 (Brushed Nickel)

Serial No. _____

Vendor No. _____

UPC No. 836071000027(Texture White)
836071000034(Brushed Nickel)

American Technology



Safety Rules Page 1

Unpacking Your Room Conditioner Page 3

Installing Your Room Conditioner Page 4

Operating Your Room Conditioner Page 11

How to use the Remote Control Page 12

Care of Your Room Conditioner Page 14

Troubleshooting Page 15

Specifications Page 16



*American Technology
saving the World's
heating problems*

Table of Contents

READ AND SAVE THESE INSTRUCTIONS

1. To reduce the risk of electrical shock, insure electricity has been shut off at the circuit breaker or fuse box before beginning.
2. All wiring must be in accordance with the National Electrical Code and local electrical codes. Electrical installation should be preformed by a qualified licensed electrician.
3. **WARNING:** To reduce the risk of electrical shock and fire, do not use this room conditioner with any solid-state speed control device.
4. **CAUTION:** To reduce risk of personal injury, use only the screws available with the outlet box.
5. The outlet box and support structure must be securely mounted and capable of reliably supporting a minimum of 35 pounds. Use only UL listed outlet boxes marked “FOR CEILING FAN SUPPORT.”
6. Remote Control Transmitter batteries should be changed every three months or when transmitter low battery indicator illuminates.
7. The room conditioner must be mounted with a **minimum of 7 feet clearance** from the trailing edge of the blades to the floor.
8. Avoid placing objects in the path of the blades.
9. To avoid personal injury or damage to the room conditioner and other items, be cautious when working around or cleaning the room conditioner.
10. Do not use water or detergents when cleaning the room conditioner or room conditioner blades. A dry dust cloth or lightly dampened cloth will be suitable for cleaning.
11. After making electrical connections, spliced conductors should be turned upward and pushed carefully up into outlet box. The wires should be spread apart with the grounded conductor and the equipment-grounding conductor on one side of the outlet box.
12. Electrical diagrams are for reference only. Optional light kits are expressly prohibited for use on the Reiker Room Conditioner.
13. Do not stick objects into or through the protective screens that are in front of the heating elements.

WARNING

To reduce the risk of fire, electrical shock or personal injury, Mount to outlet box marked acceptable for ceiling fan support and use screws provided with the outlet box.

CAUTION

Ensure adequate circuit protection available.

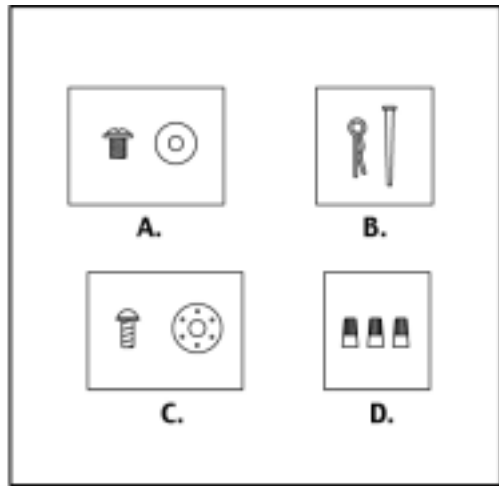
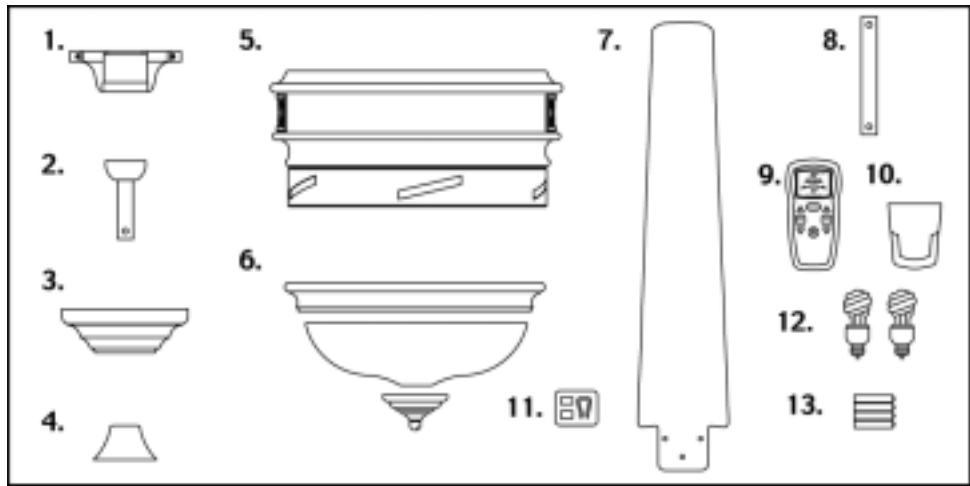
Safety Rules 1.

IMPORTANT INSTRUCTIONS (cont.)

14. Read all instructions before using this Room Conditioner.
15. Do not use outdoors.
16. To disconnect Room Conditioner, turn controls to off, switch off at circuit breaker, then remove Room Conditioner from mounting location.
17. Make sure to properly ground installation.
18. Do not insert or allow foreign objects to enter any ventilation or exhaust opening as this may cause an electric shock or fire, or damage the Room Conditioner.
19. To prevent a possible fire, do not block air intakes or exhaust in any manner.
20. Room Conditioner has hot and arcing or sparking parts inside. Do not use it in areas where gasoline, paint, or flammable liquids are used or stored.
21. Use this Room Conditioner only as described in this manual. Any other use not recommended by the manufacturer may cause fire, electric shock, or injury to persons.
22. Installation is to be in accordance with the National Electrical Code, ANSI/NFPA 70 and local codes.
23. Keep combustible material such as curtain at least 3 feet from the heater outlets.



*American
Technology
saving the
World's
heating
problems*



Unpack your Room Conditioner and check the contents. You should have the following items:

1. Slide on mount plate (inside canopy)
2. Ball/Downrod Assembly (1)
3. Canopy with Canopy ring attached
4. Motor Collar cover
5. Room Conditioner and pre-attached Blade brackets

6. Light Kit
7. Blades
8. 6" Downrod
9. Remote Control Hand Unit
10. Hand Unit Wall Mount
11. Balancing kit
12. 2 Compact Fluorescent Bulbs
13. Batteries

- A. Blade attachment hardware
- B. Mounting Hardware (Locking Pin & Hanger Pin)
- C. Close to ceiling mounting hardware (1 Rubber Gasket, 3 Screws)
- D. Wire Nuts (3)

This product is patent pending in the United States and foreign countries.

Unpacking Your Room Conditioner 3.

Tools Required

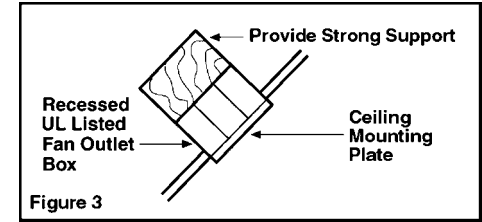
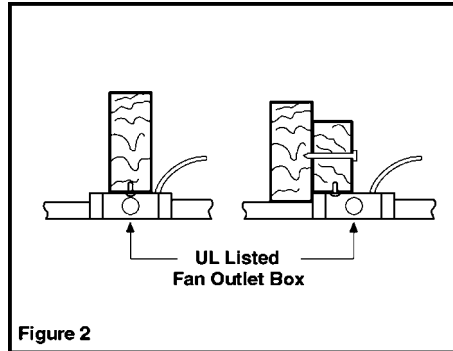
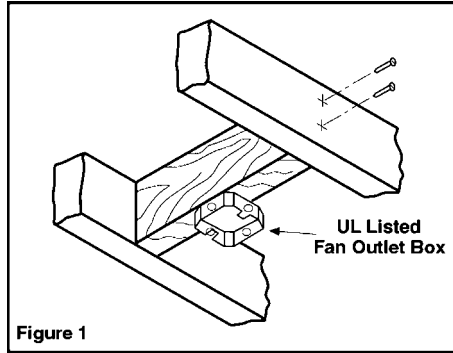
Phillips screw driver, straight slot screw driver, adjustable wrench, step ladder, and Wire cutters.

Mounting Options

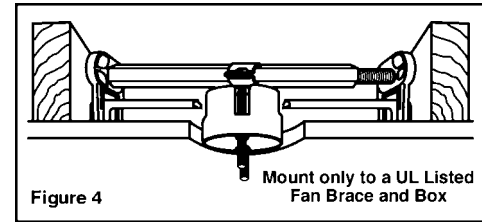
If there isn't an existing mounting box, then read the following instructions. **Disconnect the power by removing fuses or turning off the circuit breaker.**

Secure the UL listed fan outlet box directly to the building structure. Use appropriate fasteners and building materials. The outlet box and its support must be able to fully support the moving weight of the room conditioner (at least 35 lbs.) **DO NOT USE PLASTIC OUTLET BOXES.**

Figures 1, 2, and 3 are examples of different ways to mount the outlet box.



Note: You may need a longer down-rod to maintain proper blade clearance when installing on a steep, sloped ceiling. **The maximum angle available is 30 degrees. If the canopy touches the down-rod, remove the decorative canopy bottom cover and turn the canopy 180 degree before attaching the canopy to the mounting plate.**



To hang your room conditioner where there is an existing fixture but no ceiling joist, you may need an installation hanger bar as shown in Figure 4.

WARNING
TO REDUCE THE RISK OF FIRE, ELECTRIC SHOCK, OR OTHER PERSONAL INJURY, MOUNT ROOM CONDITIONER ONLY TO AN OUTLET BOX MARKED ACCEPTABLE FOR CEILING FAN SUPPORT AND USE THE MOUNTING SCREWS PROVIDED WITH THE OUTLET BOX. OUTLET BOXES COMMONLY USED FOR THE SUPPORT OF LIGHTING FIXTURES MAY NOT BE ACCEPTABLE FOR ROOM CONDITIONER SUPPORT AND MAY NEED TO BE REPLACED. CONSULT A QUALIFIED ELECTRICIAN IF IN DOUBT.

4. Installing Your Room Conditioner

Hanging the Room Conditioner

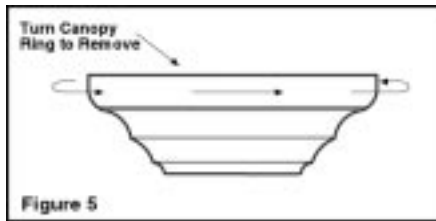
REMEMBER to turn off the power. Follow the steps below to hang your Room Conditioner properly.

NOTE: This room conditioner is supplied with two types of hanging assemblies; the standard installation using the downrod with ball and socket mounting, and the “close to ceiling” mounting. The “close to ceiling” mounting is recommended in rooms with less than 8 foot ceilings or in areas where additional space is desired from the floor to the room conditioner blades. When using a standard downrod installation, the distance from the ceiling to the bottom of the room conditioner blades will be approximately twelve inches. [NOTE: An extra six inch downrod is included that will increase this distance to fifteen inches. Please see page seven for steps for changing the downrod.] The close to ceiling installation reduces the distance from the ceiling to the bottom of the room conditioner blades to approximately 9 inches.

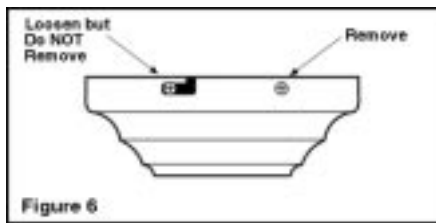
Once you have decided which ceiling installation you will use, proceed with the following instructions. Where necessary, each section of the instructions will note the different procedures to follow for the two types of installation.

STANDARD CEILING MOUNTING

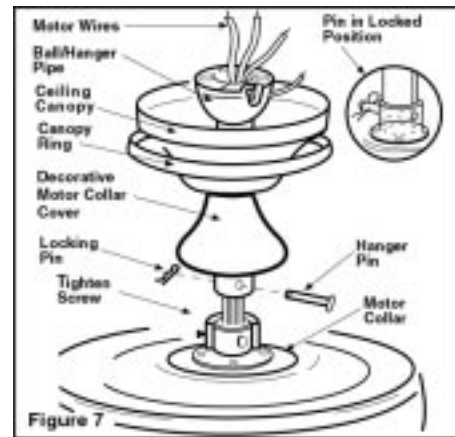
1. Remove the canopy ring from the canopy by turning the ring to the right until it unlocks. (Figure 5)



2. Remove the mounting plate from the canopy by loosening the four screws on the top of the canopy. Remove the two non-slotted screws. This will enable you to remove the mounting plate. (Figure 6)



3. Route the wires exiting the top of the room conditioner through the canopy ring. Make sure the slot openings are on top. Route the wires through the canopy and then through the ball/downrod assembly and collar cover. (Figure 7)
4. Loosen, but do not remove, the set screw on the collar on the top of the motor housing.

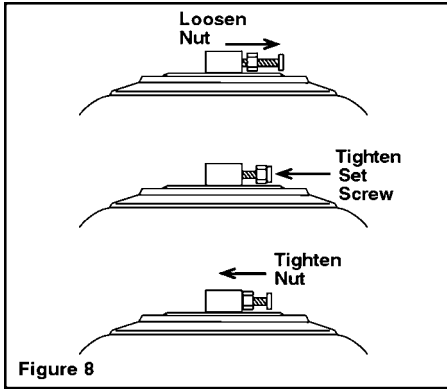


5. Align the holes at the bottom of the down rod with holes on the collar on top of the motor housing. Carefully insert the hanger pin through the holes in the collar and the down rod. Insert the locking pin through the hole near the end of the hanger pin until it snaps into its locked position.

WARNING
DO NOT SHOVE EXCESS WIRE INTO ROOM CONDITIONER. THIS WILL CAUSE WIRE TO GET CAUGHT OR SCRAPE IMPELLER MOTOR.

WARNING
FAILURE TO PROPERLY INSTALL LOCKING PIN AS IN STEP FIVE COULD RESULT IN ROOM CONDITIONER LOOSENING AND POSSIBLY FALLING.

6. Re-tighten the set screw at the top of the Room Conditioner motor by first loosening the nut towards the screw head, tightening the set screw firmly and tightening the nut against the mounting collar. (Figure 8)
7. Proceed to “Installing the Room Conditioner” section.



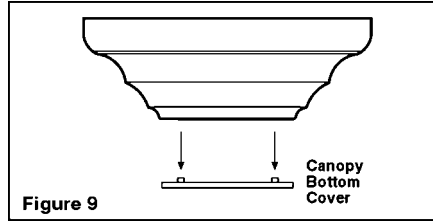
CLOSE TO THE CEILING MOUNTING

1. Remove the canopy ring from the canopy by turning the ring to the right until it unlocks.
2. Remove the mounting plate from the canopy by loosening the four screws on the top of the canopy. Remove the two

6.

non-slotted screws and loosen the slotted screws. This will enable you to remove the mounting plate.

3. Remove the decorative canopy bottom cover from the canopy by depressing the three studs.



4. Remove three of the six screws and lock washers securing the motor collar to the top of the Room Conditioner motor housing.
5. Place the rubber gasket over the remaining three screws, route the wires exiting the top of the Room Conditioner motor through the canopy ring (make sure the slot openings are on top), then proceed to place the ceiling canopy over the collar at the top of the motor (Figure 11).

6. Align the mounting holes with the holes in the motor and fasten, using the three screws with lock washers provided in the close-to-ceiling mount hardware package.

7. Tighten the mounting screws securely.

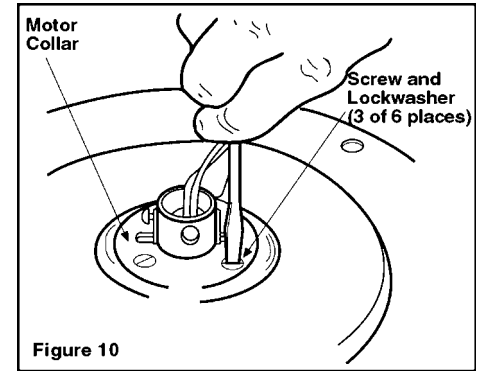


Figure 10

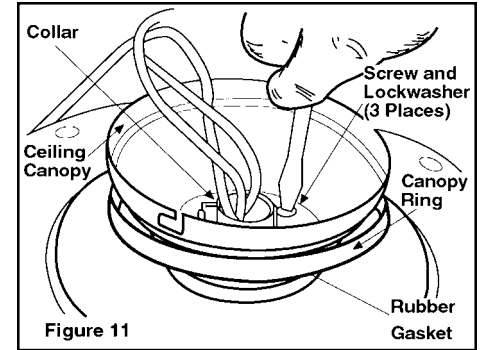


Figure 11

WARNING

FAILURE TO COMPLETELY TIGHTEN THE THREE SCREWS IN STEP 7 MAY RESULT IN ROOM CONDITIONER LOOSENING AND FALLING.

WARNING

WHEN USING THE STANDARD BALL HANGER PIPE MOUNTING, THE TAB IN THE RING AT THE BOTTOM OF THE MOUNTING PLATE MUST REST IN THE GROOVE OF THE HANGER BALL. FAILURE TO PROPERLY SEAL THE TAB IN THE GROOVE COULD CAUSE DAMAGE TO WIRING.

Changing the Downrod (Optional)

Please see following steps on changing the downrod prior to installation.

1. Remove hanger ball from 4" downrod by loosening the set screw at the top of the downrod which holds the hanger ball to the downrod. (This is not the screw with the green ground wire attached).
2. Slide the hanger ball down the downrod and remove the support pin.
3. Insert the support pin in the holes at the top of the 6" downrod and slide the hanger ball up the 6" downrod. Make sure the support pin is properly seated in the grooves in the top of the hanger ball.
4. Tighten the set screw.
5. Return to page 5 to continue the installation.

Installing Room Conditioner to the Electrical Box

CAUTION

WHEN MOUNTING THE ROOM CONDITIONER ON A SLOPED CEILING, THE STANDARD BALL DOWNROD MOUNTING METHOD MUST BE USED. THE MOUNTING PLATE MUST BE MOUNTED SO THAT THE SLOT OPENINGS ARE ON THE LOWER SIDE BY SLIDING THE MOUNTING PLATE FROM THE TOP DOWN.

1. Pass the 120 Volt supply wires through the center hole in the ceiling mounting plates shown in Figure 12.
2. Remove the mounting screws from the outlet box, install the flat washers (supplied in the hardware bag) to the mounting screws, then install the ceiling mounting plate on the electrical box by using 2 mounting screws with flat washers attached. When using close to ceiling mounting, it is important that the mounting plate be level. If necessary use leveling washers (not included) between the mounting plate and the electrical box. Note that the flat side of the mounting plate is to be toward the electrical box.
3. Securely tighten the 2 mounting screws.
4. Carefully lift the Room Conditioner assembly up to the ceiling mounting plate. If using close to ceiling mounting, hang the Room Conditioner on the hook provided by utilizing one of the holes at the outer rim of the ceiling canopy. If using standard mounting, seat the hanger ball in the mounting plate socket. Make sure the tab on the mounting socket is properly seated in the groove in the hanging ball.

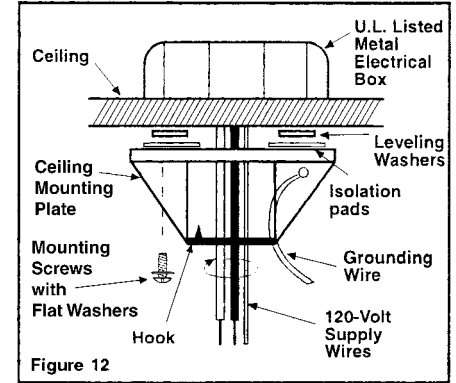


Figure 12

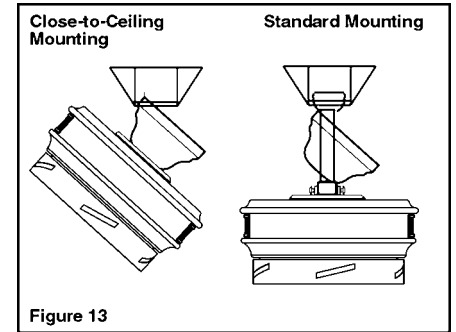


Figure 13

WARNING

THE HOOK AS SHOWN IN FIG. 13 IS ONLY TO BALANCE ROOM CONDITIONER WHILE ATTACHING WIRING. FAILURE TO HANG AS SHOWN IN FIG. 13 MAY RESULT IN HOOK BREAKING CAUSING THE ROOM CONDITIONER TO FALL. HOOK MUST PASS FROM INSIDE TO OUTSIDE OF CANOPY.

Making the Electrical Connections

REMEMBER to disconnect the power. If you feel that you do not have enough electrical wiring knowledge or experience, have your Room Conditioner installed by a licensed electrician.

Follow the steps below to connect your Room Conditioner to your household wiring. Use the wire connecting nuts supplied with the Room Conditioner. Secure the connectors with electrical tape. Make sure there are no loose strands or connections.

Step 1 Connect the Room Conditioner supply (black) wire to the black household supplied wire with wire nuts as shown in Figure 14.

Step 2 Connect the neutral Room Conditioner (white) wire to the white neutral household wire with supplied wire nuts.

Step 3 Connect the two green Room Conditioner ground wires, located on the

downrod and mounting bracket, to the household ground wire with the supplied wire nuts. When using close to ceiling mounting, there is only one green ground wire from the ceiling mounting bracket, since the ball downrod assembly is not there.

Step 4 After connecting the wires, spread them apart so that the green and white wires are on one side of the outlet box and the black wires are on the other side.

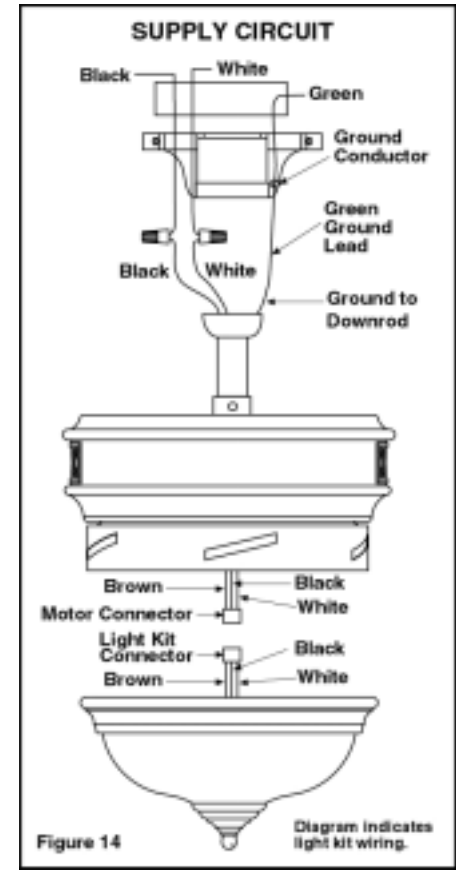
Step 5 Turn the wire connecting nuts upward and push the wiring into the outlet box.

WARNING

TO REDUCE RISK OF FIRE OR ELECTRICAL SHOCK, DO NOT USE A WALL MOUNTED SOLID STATE SPEED CONTROL WITH THIS ROOM CONDITIONER. IT WILL PERMANENTLY DAMAGE THE ELECTRONIC CIRCUITRY.

WARNING

EACH WIRE NUT (WIRE CONNECTOR) SUPPLIED WITH THIS ROOM CONDITIONER IS DESIGNED TO ACCEPT UP TO ONE 12 GAUGE HOUSE WIRE AND TWO WIRES FROM THE ROOM CONDITIONER. IF YOU HAVE LARGER THAN 12 GAUGE HOUSE WIRING OR MORE THAN ONE HOUSE WIRE TO CONNECT TO THE ROOM CONDITIONER WIRE, CONSULT AN ELECTRICIAN FOR THE PROPER SIZE WIRE NUTS TO USE.



Finishing the Room Conditioner Installation

STANDARD CEILING ROOM CONDITIONER

Warning

WHEN USING THE STANDARD BALL DOWNROD MOUNTING, THE TAB IN THE RING AT THE BOTTOM OF THE MOUNTING PLATE MUST REST IN THE GROOVE OF THE HANGER BALL. FAILURE TO PROPERLY SEAT THE TAB IN THE GROOVE COULD CAUSE DAMAGE TO WIRING.

1. Align the locking slots of the ceiling canopy with the two screws in the mounting plate. Push up to engage the slots and turn clockwise to lock in place. Immediately tighten the two mounting screws firmly.
2. Install the remaining mounting screws into the holes in the canopy and tighten firmly.
3. Install the decorative canopy ring by aligning the ring's slots with the screws in the canopy. Rotate the ring clockwise to lock in place.
4. You may proceed to attaching the Room Conditioner blades.

CLOSE TO CEILING MOUNTING

1. Carefully unhook the Room Conditioner from the mounting plate and align the locking slots of the ceiling canopy with the two screws in the mounting plate. Push up to engage the slots and turn clockwise to lock in place. Immediately tighten the two mounting screws firmly.

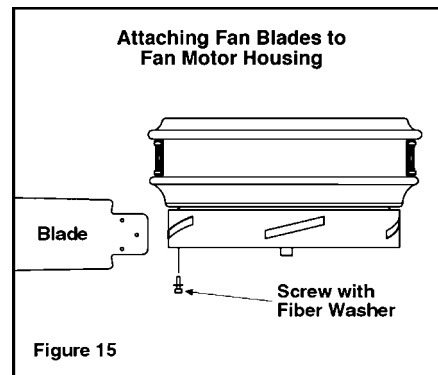
WARNING

LOCKING SLOTS OF CEILING CANOPY ARE PROVIDED ONLY AS AN AID TO MOUNTING. DO NOT LEAVE ROOM CONDITIONER ASSEMBLY UNATTENDED UNTIL ALL FOUR CANOPY SCREWS ARE ENGAGED AND FIRMLY TIGHTENED

2. Install the remaining two mounting screws into the holes in the canopy and tighten firmly.
3. Install the decorative canopy ring by aligning the ring's slots with the screws in the canopy. Rotate the ring clockwise to lock in place.
4. You may now proceed to attaching the Room Conditioner blades.

Attaching the Fan Blades

1. Attach the blades to the Room Conditioner motor housing by inserting the blade into the slot in the side of the fan motor housing and secure using the screws and the fiber washers provided. Start a screw into the bracket. Repeat for the two remaining screws.
2. Tighten each screw securely.



3. Repeat steps 1, 2 & 3 for the remaining blades.

The following procedure should correct most fan wobble. Check after each step.

1. Check that all blade screws are secure.
2. Use the enclosed Blade Balancing Kit if the blade wobble is still noticeable.

WARNING

TO REDUCE THE RISK OF PERSONAL INJURY, DO NOT BEND THE BLADE HOLDERS WHILE INSTALLING, BALANCING THE BLADES, OR CLEANING THE FAN. DO NOT INSERT FOREIGN OBJECTS BETWEEN ROTATING FAN BLADES.

10.

Installing the Light Kit

REMEMBER to disconnect the power.

1. Loosen two opposing mounting screws on the black bracket below the motor and remove the other two opposing screws.

2. Connect the blue wire exiting the bottom of the Room Conditioner motor assembly with the black wire from the top of the light kit fitter assembly. Connect the white wire exiting the bottom of the fan motor assembly with the white wire from the top of the light kit fitter assembly. (See page 8 for wiring diagram).

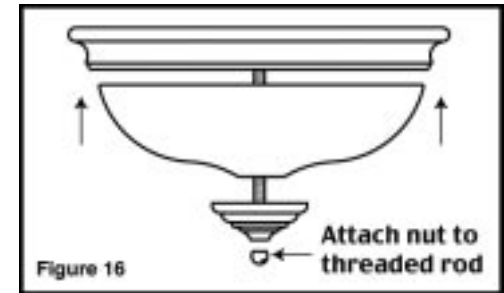
3. Attach the light kit assembly to the fan motor assembly by securing with the four screws loosened in step 1. Push light kit assembly up to engage screw heads in slots and turn to secure. Tighten each screw firmly.

4. With the power off, Screw in the two fluorescent light bulbs into the sockets. When replacing the light bulbs only use fluorescent bulbs.

WARNING

DO NOT USE BULBS ABOVE 15 WATTS A PIECE. FAILURE TO DO SO COULD RESULT IN A FAILING CIRCUIT BREAKER.

5. Attach the decorative globe by sliding it up the threaded rod and securing it with the steel nipple.



WARNING

DO NOT OVER TIGHTEN WHEN INSTALLING THE GLASS SHADE INTO THE LIGHT KIT ASSEMBLY. ALLOW THE GLASS SHADE TO COOL COMPLETELY BEFORE REMOVING.

Cool Weather Operation

1. Press the Room Conditioner remote control thermostat power button.
2. Use the remote control thermostat and press the heat button.
3. Once your Room Conditioner is in the heat mode, adjust the thermostat to the desired temperature you would like to maintain in the room.
4. Your Reiker Room Conditioner will soon bring the room to your desired temperature. Once the desired temperature is obtained the heating elements will automatically cut off until the most efficient combination of energy consumption to comfort level is accomplished. Enjoy your new cost effective Reiker Room Conditioner.

Warm Weather Operation

As the warmer season draws near and the need for heating your house is decreased, the Reiker Room Conditioner can also be used in a cooling mode much like conventional ceiling fans.

1. Make sure the blades are not moving, then select the fan mode.
2. There are three speed selections in the cooling mode: Low, Medium, and High.

CAUTION:
THIS DEVICE COMPLIES WITH PART 15 OF THE FCC RULES. CHANGES OR MODIFICATIONS NOT EXPRESSLY APPROVED BY THE MANUFACTURER COULD VOID YOUR AUTHORITY TO OPERATE THE EQUIPMENT.

Lighting

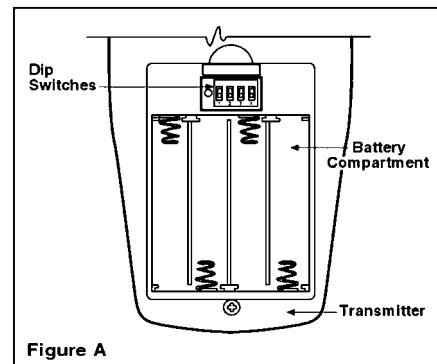
Located on the hand held remote control is a button with a light bulb symbol on it. In order to illuminate the light kit on the Reiker Room Conditioner you must first press the power button. The remote control will light up to show that power has been initiated. Then press the light button.

Setting the Dip Switches In the Receiver

In the transmitter the dip switches are accessible from the battery compartment as shown in Figure A. The dip switches in your Room Conditioner are preset to a particular code in order for your remote control signal to be accepted by the receiver.

If you have more than one Room Conditioner in a room you may need to change the dip switches.

In order to change the code in your Room Conditioner you must have the power on. Next turn the power off at the wall while the remote power is still on. Then change the settings of the dip switches in the transmitter located near the batteries. This should be done with a small pointed object. Next turn the power on at the wall and within 30 seconds, press the small button next to the dip switches. This should be done with a small pointed object. The LCD will show the number 5 decrease down to 1 and the light on the Room Conditioner will flash. After this the new code will be set. If this is not accomplished repeat the steps.



IMPORTANT
REMOTE MUST BE IN THE SAME ROOM AS THE ROOM CONDITIONER. BEST WHEN LOCATED IN THE WALL MOUNT

How to use the Remote Control

As you set the desired temperature the numbers at the top of the controller will change in correspondence with the plus or minus buttons.

remote control does not illuminate check to see if the batteries are still good.)

The Reiker Room Conditioner will now begin heating your room. As the actual room temperature increases and nears that of the desired room temperature, the unit will automatically decrease the number of heating elements in order to maintain the desired temperature for the least amount of electricity to maintain your desired temperature. As the actual temperature meets the desired temperature the heating elements will start to cut off and the unit will run for the least amount of electricity. Should the temperature in the room decrease the unit will automatically add additional heat until the desired temperature is reached again.

Next press the fan button to initiate the ceiling fan mode. In order to regulate the speed of the fan you must select either the plus or the minus button to set the fan at high, medium, or low. This is represented by the lighted bars above the actual room temperature. If one is lit, it is at low speed, if two are lit, it is at medium speed, and if they are all lit, then it is at high speed.

2. Cooling with your Reiker Room Conditioner

During the summer months the Reiker room Conditioner can be used as a ceiling fan. In order to activate the Reiker Room Conditioner in the Ceiling fan mode you must first press the power button. The remote control will light up to show power has been initiated. (If the

3. How to use the light kit

In order to turn the light kit on you must first turn on the Reiker Room Conditioner by pressing the power button. The remote control will light up to show power has been initiated. (If the remote control does not illuminate check to see if the batteries are still good.) Next press the button with the picture of the light bulb on it. This will illuminate the Reiker Room Conditioner.

CAUTION:
THIS DEVICE COMPLIES WITH PART 15 OF THE FCC RULES. CHANGES OR MODIFICATIONS NOT EXPRESSLY APPROVED BY THE MANUFACTURER COULD VOID YOUR AUTHORITY TO OPERATE THE EQUIPMENT.

1. Heating with the Reiker Room Conditioner

In order to initiate the heat mode, press the power button to turn the Reiker Room Conditioner on. The remote control will light up to show power has been initiated. (If the remote control does not illuminate check to see if the batteries are still good.) Press the heat button to put the room conditioner in the heat mode. The word heat should illuminate when in the heat mode.

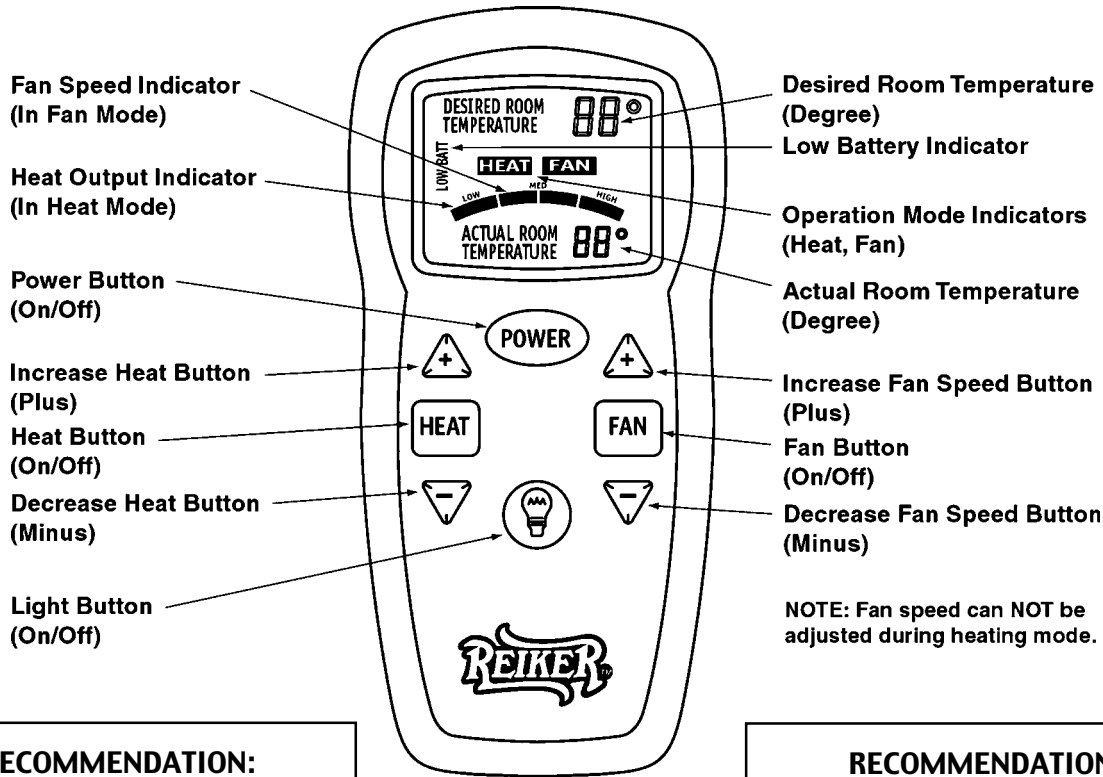
Next set the temperature to your desired comfort level with the plus or minus buttons located above or below the heat button.

When the unit turns on, all four heating elements will activate. This is indicated by the four bars that will light up above the actual room temperature.

WARNING:
REMOVING THE REMOTE CONTROL OR ALLOWING THE BATTERIES TO FAIL FROM THE ROOM WILL CAUSE THE UNIT TO MALFUNCTION AND FAIL TO OPERATE IN THE PRESCRIBED MANNER.

12. How to use the Remote Control

The Simplest Remote



NOTE: Fan speed can NOT be adjusted during heating mode.

**RECOMMENDATION:
REPLACE THE BATTERIES AT LEAST
EVERY THREE MONTHS**

**RECOMMENDATION:
KEEP THE REMOTE IN THE HOLDER
IN THE ROOM BEING USED.**

Here are some suggestions to help you maintain your Reiker Room Conditioner

1. Because of the Room Conditioner's natural movement, some connections may become loose. **Check the support connections, brackets, and blade attachments twice a year.** Make sure they are secure. **(It is not necessary to remove the Room Conditioner from the ceiling.)**

2. Clean your Room Conditioner periodically to help maintain its new appearance over the years. Do not use water when cleaning. Use only a soft brush or lint-free cloth to avoid scratching the finish. The plating is sealed with a lacquer to minimize discoloration or tarnishing. Cleaning could damage the motor, the wood or possibly cause an electrical shock.

3. You can apply a light coat of furniture polish to the wood for additional protection and to enhance beauty.

Cover small scratches with a light application of shoe polish.

4. There is no need to oil your fan. The motor has permanently lubricated sealed ball bearings.

WARNING
MAKE SURE THE POWER IS OFF AT THE ELECTRICAL PANEL BOX BEFORE YOU ATTEMPT ANY REPAIRS. REFER TO THE SECTION, "MAKING ELECTRICAL CONNECTIONS"

Changing the Dust Cover

Located on top of the Reiker Room Conditioner is a dust cover. This dust cover is used to prevent dust from getting into the heating chamber.

1. Squeeze the dust cover together until it is loose from the raised edges of the top of the Room Conditioner and then pull it off.

2. Rinse it out with water and allow to thoroughly dry. Squeeze the ends towards each other and place it under the openings around the support rod.

WARNING
MAKE SURE THE POWER IS OFF AT THE ELECTRICAL PANEL BOX BEFORE YOU ATTEMPT TO CLEAN THE DUST COVER.



*American Technology
saving the World's
heating problems*

14. Care of Your Room Conditioner

Problem Solutions

Fan will not start.

1. Check main and branch circuit fuses or breakers.
2. Make sure that you do not have more than 30 watts worth of light bulbs in the unit. (Each light bulb should not exceed 15 watts. Recommended bulb is a 14-watt Compact fluorescent)
3. Should the circuit breaker trip after resetting consult your electrician about adequate circuit protection.
4. Check line wire connection to the fan.
CAUTION: Make sure main power is off.
5. Check batteries in the transmitter. Does the liquid crystal display (LCD) illuminate and is the battery low light off? Are you standing close enough to the fan (normal range is 20 feet)? Are the dip switch settings in the transmitter properly configured? **REFER TO PAGE 11 FOR SETTING THE DIP SWITCH.** Batteries should be changed every three months or as needed.

Fan sounds noisy.

1. Make sure the Room Conditioner power supply wires have not been pushed into the inside of the Room Conditioner. This will create a scratching sound due to the wires rubbing against the impeller motor.
2. Make sure all motor housing screws are snug.
3. Allow a 24-hour breaking in period. Most noises associated with a new fan disappear during this time.
4. If using the Room Conditioner light kit make sure the finial securing the decorative globe is tight. Check that the light bulbs are also secure.
5. Make sure the canopy is a short distance from the ceiling. It should not touch the ceiling.
6. Make sure your ceiling box is secure and rubber isolator pads were used between the mounting plate and ceiling box.

Saving your energy every minute of everyday

Heat Mode							NET WEIGHT	GROSS WEIGHT	CUBIC FEET
Heating Elements	SPEED	VOLTS	AMPS	WATTS	RPM				
1	Med.	120	4.1	496	110				
2	Med.	120	7.5	892	110				
3	Med.	120	10.05	1173	110				
4	Med.	120	12.5	1485	110				
Ceiling Fan Mode							NET WEIGHT	GROSS WEIGHT	CUBIC FEET
Fan Size	SPEED	VOLTS	AMPS	WATTS	RPM				
	Low	120	0.51	45	65				
54"	Med.	120	0.67	68	105				
	High	120	0.8	99	170	35 lbs.	40.5 lbs.	3.71	
<p>NOTE: The Reiker Room Conditioner was designed to efficiently heat a room as large as 20 by 20 with a 10 ft. ceiling. If you have a room larger than this you may need an additional unit. If the room is smaller than this the unit will function better.</p>									

These are approximate measurements, they include Amps and wattage used by the light kit.

**Reiker Room Conditioners
269 Country Club Road
Shalimar, Florida
32579**

Thank you for purchasing the Reiker Room Conditioner. We know that you will enjoy many years of satisfaction and savings with your new energy efficient Reiker Room Conditioner, that you will want to run out and tell your neighbors about it. Thanks again for your purchase of the Reiker Room Conditioner.

© 2003 Reiker Room Conditioners, LLC
For logos, product I.D. and names,
All Rights Reserved

Best regards,
Ken Reiker
CEO

16. Specifications

www.reikerroomconditioner.com