

Sun Shelf

The Sun Shelf stackable shelving system provides plenty of bright, full-spectrum light to keep plants happy almost anywhere in your home or office. The base unit includes a top and bottom shelf and an energy-efficient T-5 fluorescent light fixture.

You may add up to two additional shelves and optional light fixture to create a multi-tiered display of plants, books, art objects and collectibles.



Instructions for Attaching the T-5 Light

Step 1. Follow the manufacturer's instructions to assemble the Sun Shelf. In Step 1, part 4, you'll see that there are two metal brackets attached to one of the top bars (Fig. 1). These brackets are used to attach the T-5 Light Fixture.

Step 2. Find the two Clips included with the T-5 Light Fixture. Use 2 Screws and 2 Nuts (Parts B and C of the Sun Shelf) to attach the Clips to the Metal Brackets located on the Top Bar (Figure 1).

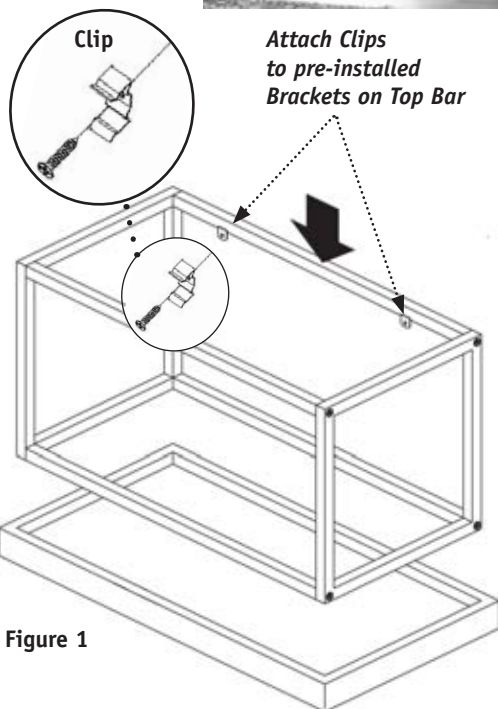
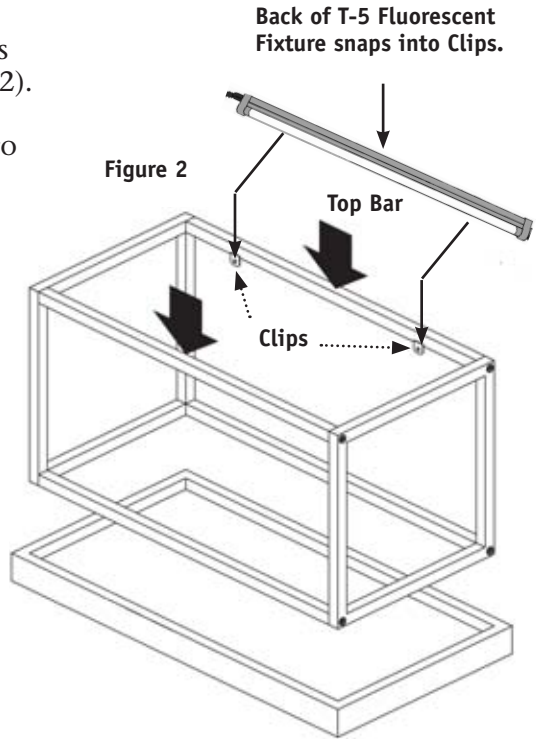


Figure 1

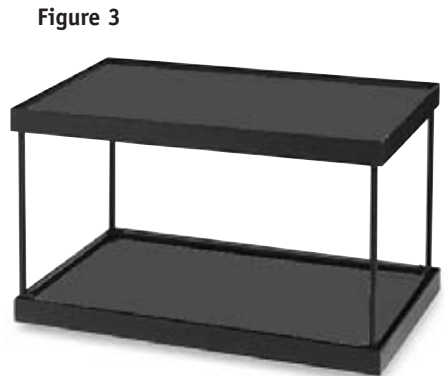
Step 3. Push the T-5 Light Fixture into the Clips, making sure the Fixture is centered on the Bar (Fig. 2). Plug the power cord into the Fixture. Use the Velcro Strips to secure the cord to the frame. This will keep the cord out of the way and provide a tidy appearance.

Be sure to Follow all manufacturer's safety and use instructions for removing and installing the light tube.



Step 4. Place the Top Shelf on top of the Frame. The assembly of the Sun Shelf Base Unit is now complete (Figure 3).

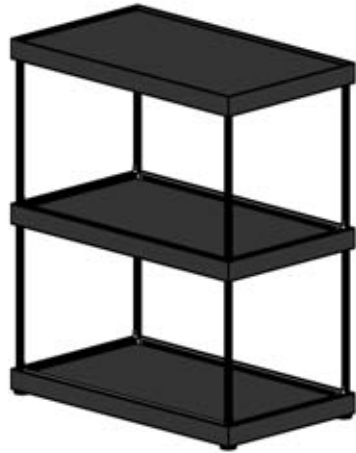
Step 5. For additional shelves, assemble a second Sun Shelf Frame and place it on top of the Base Unit. Maximum height should be no more than 3 shelves high (Figure 4).



Safety Information

- Use the power cord only with an appropriate electrical outlet or power strip.
- Always turn off the power to the light fixtures when inserting, removing, or adjusting the fluorescent light tube.
- If water is spilled near the power source, unplug the unit before you wipe up the water.
- Do not exceed the weight capacity of 30 lbs per shelf.

Figure 4



Ordering Information

- #37-853... Sun Shelf Base Model
- #37-854... Additional Shelf without Light
- #37-913... Additional T-5 Fixture
- #87-503... Replacement T-5 Fluorescent Bulbs, (4 Bulbs)

To place an order, please call us or visit our web site for current prices.