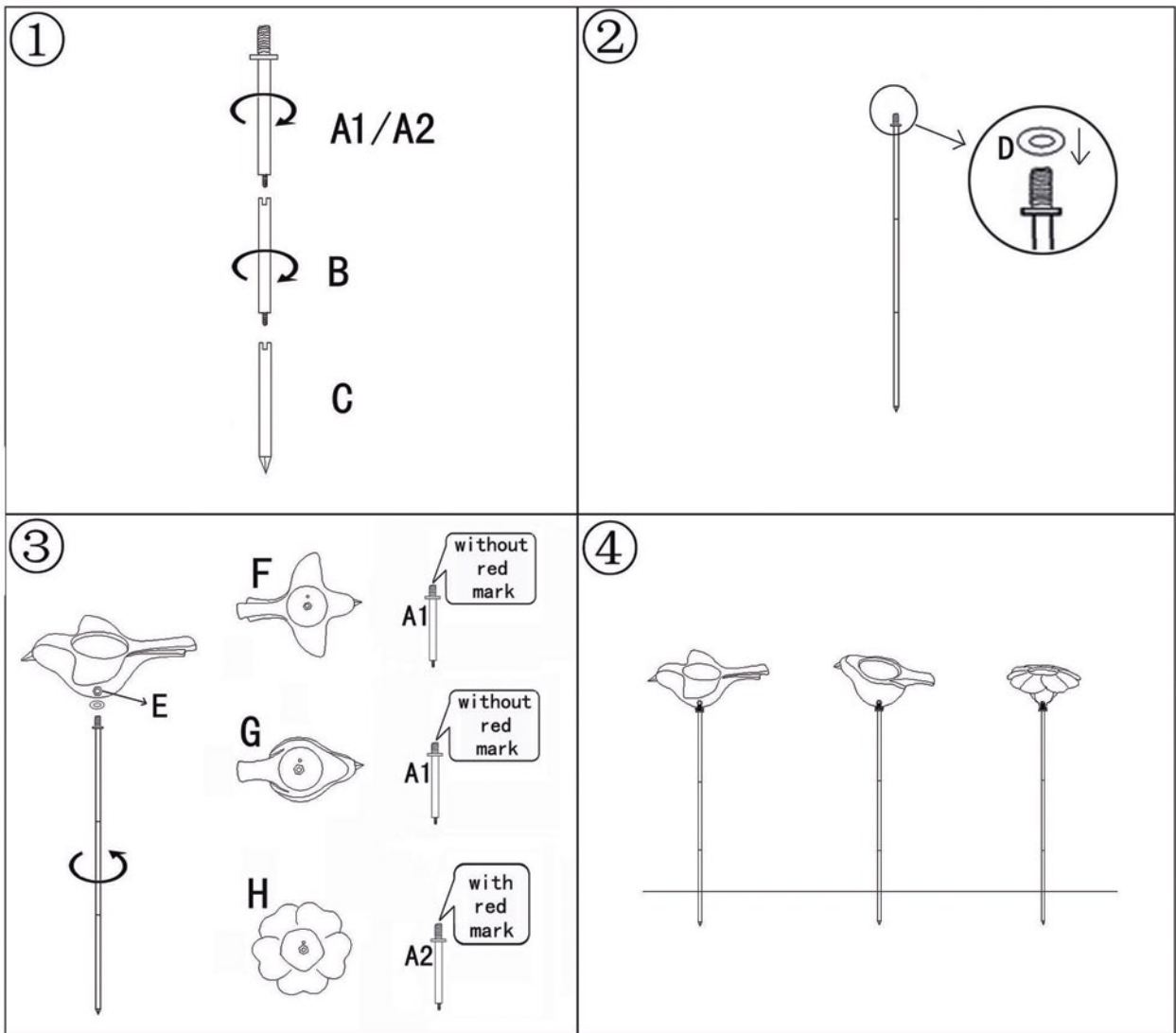


Assembly Instructions



1. Assemble wire pole sections A-C
2. Put the washer (D) on the top of wire pole
3. Place the nut upon ceramic feeder bottom hole and hold with finger, then fix the pole to the nut in clockwise direction through the bottom hole of ceramic feeder

parts	A1	A2	B	C	D	E	F	G	H
Qty	2PCS	1PCS	3PCS	3PCS	3PCS	3PCS	1PC	1PC	1PC