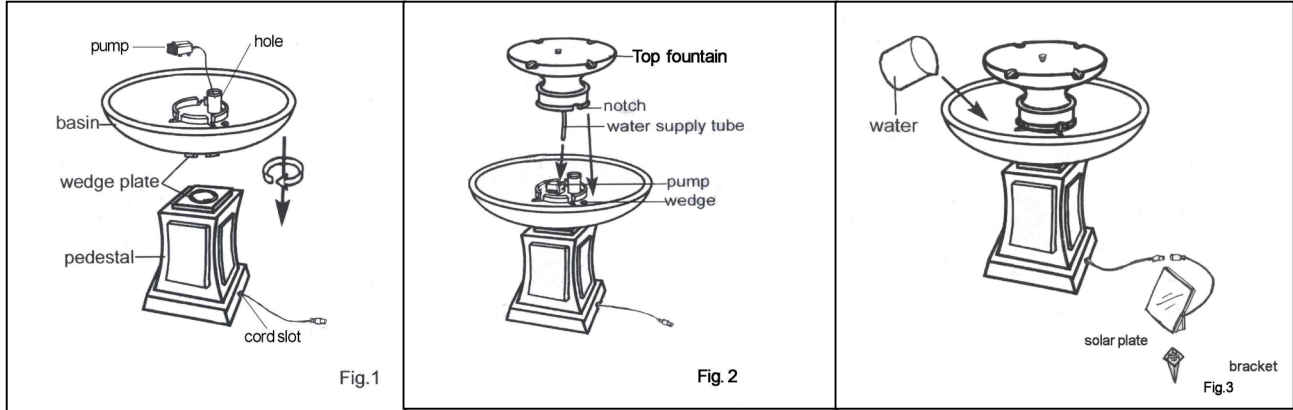


ASSEMBLY INSTRUCTIONS:

1. Place the pedestal on a level surface and connect the basin with the pedestal well using the wedge plate. Direct the pump power cord through the middle hole of the pedestal and draw it out from the cord slot at the bottom of the pedestal. (Fig 1)
2. Remove the pump from the package and untie the power cord. Insert the water supply tube into the bottom of the top fountain into the pump outlet and place the pump in the pump housing, making sure it's level. Align the notch of top fountain with the wedge of the basin and put the top fountain on the basin, making sure it is level. (Fig 2)
3. Add clean water to the basin until the water level is approx. 30mm (1-1/4 in.) from the top edge of the basin. (Fig 3)
4. Connect the pump power cord with the solar board, and then insert the bracket at the bottom of solar holder. **IMPORTANT:** Be sure to place the solar plate so that it faces directly toward the sun and the product begins to function as intended. (Fig 3)



NOTE: The diagrams shown are for illustrative purpose only.

MAINTENANCE OF YOUR FOUNTAIN:

1. Keep water clean - using clean water will reduce mineral deposits and improve water clarity. It is recommended that change the water once every week.
2. Clean the pump, the leaking web and solar board when change water.
3. Add clean water periodically to ensure that the water level is approx. 30mm (1-1/4 in.) from the top edge of the basin.

PUMP INSTRUCTIONS:



SPECIAL WARNINGS & CAUTIONS:

WARNINGS:

1. Do not exceed the voltage shown on the pump.
2. Always disconnect the pump from the power source prior to beginning any maintenance or work on the pump or fountain.
3. Inspect the power cord for damage before installation and/or maintenance. Replace the entire pump if damage is found.

CAUTIONS:

1. Use only with portable, self contained fountains no larger than 5 feet in any direction.
2. Use a proper power source as indicated on the pump label. Keep the cord away from high temperature and/or heat sources.
3. Do not lift the pump by its power cord.
4. Keep the fountain away from children.
5. Do not let the pump run dry. Pump must be completely submerged for proper operation and cooling.
6. Do not pump heated liquids.
7. Operate in freshwater only. Avoid heavily chlorinated water and water with high PH levels.

PUMP ASSEMBLY INSTRUCTIONS:

1. Remove the pump from the package and untie the power cord.
2. Adjust the flow rate (if applicable) to the maximum (+) position.
3. Connect the power cord from the pump to a properly grounded, grounding type receptacle (GFCI).
4. If necessary, readjust the flow rate to the desired level (remember to always disconnect from the power source before handling the pump).

CARE & MAINTENANCE:

1. Keep the water clean – clean water will prolong the life of your pump.
2. Use a pre-filter on your pump if available.
3. Regular cleaning of the pump will be necessary depending upon the environment in which it is operated. Clean the pump when it is visibly soiled or when a noticeable drop in performance is detected. Failure to clean the pump will result in overheating of the pump and the voiding of the warranty!
4. Before cleaning, always disconnect the pump from the power source.
5. Disassemble the pump by removing the inlet screen & the impeller housing. Remove the impeller/rotor assembly by gently pulling on the impeller blades. Use a soft cloth or brush to clean the area inside of the pump where the impeller/rotor assembly was. Clean the inlet screen, impeller housing & impeller in warm soapy water. Reassemble the pump and inspect for proper operation.

HINTS & TROUBLESHOOTING:

1. If spurting water or the water flow is low, the following may apply: 1) the solar board is shaded partly by tree, building or leaves. Move the

product to the position where there is no shade 2) Fallen leaves may be covering the solar board. Clear the leaves off the solar board 3) The surface may be covered with dust. Clean the solar board with water. 4) Sunlight may be blocked by clouds and too weak to charge the solar board. Cloud coverage is a natural occurrence from time to time. 5) The water level is too low. Refill the basin with clean water, making sure the water level is approx. 30mm (1-1/4 in.) from the top edge of the basin

If there is no water flow at all, the following may apply: 1) Cloudy, no sunshine. Cloud coverage is a natural occurrence from time to time. When cloudy, the solar board can't absorb enough sunshine and transform it to electric energy. 2) There is sunshine, but it may be too weak to supply the energy the pump requires. 3) The connector is loose between the pump and the solar board. If so, plug in the connector. 4) Not enough water in the fountain basin. Refill the basin with clean water, making sure the water level is approx. 30mm (1-1/4 in.) from the top edge of the basin. 5) If none of the above solutions apply, you may need to change the pump or the solar board.