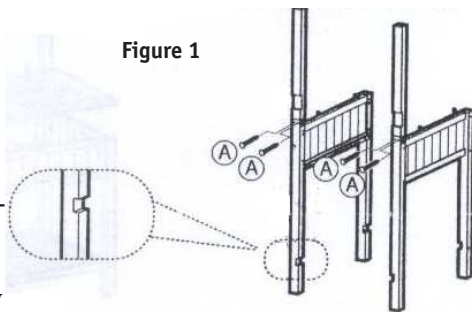


Potting Bench

Assembly Instructions

Step 1. Lay out the parts on a hard level surface. Reference the parts in the Parts List as you go through the assembly. **Note:** Some of the wood may be "checked." This is normal and will not affect the integrity of the Bench. We recommend a second person to help with the assembly.

Step 2. Connect the High and Low Part of the Left Side Panel with two A Screws (See Parts List). The notches near the bottom should face inward. **Note:** Do not fully tighten the screws until later in the assembly as this will allow for adjustments as you go. Repeat this step for the Right Side Panel (Figure 1).



Step 4. Attach the Back Panel to the Left Side Panel using B screws.

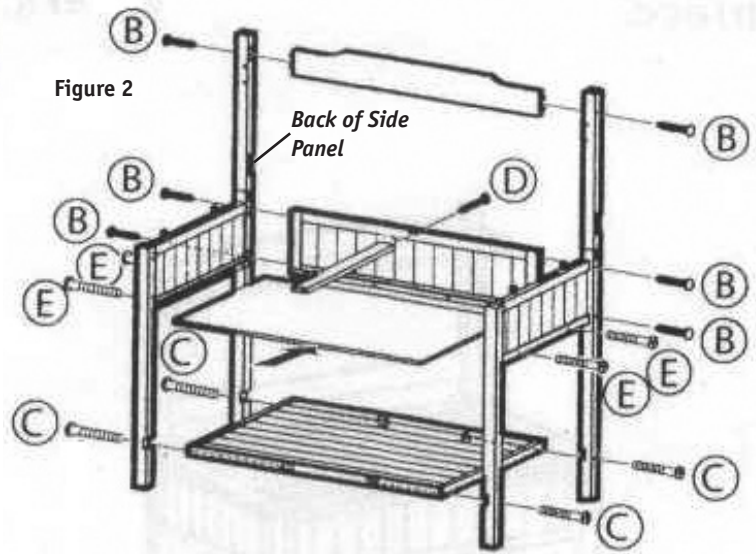
Step 5. Insert the Floor into the Back Panel and secure it to the Left Side Panel with E bolts.

Step 6. Attach the Top Shelf Back Panel with B screws, making sure the hook holes face forward.

Step 7. Attach the Tabletop Crossbar to the Back Panel with a D screw.

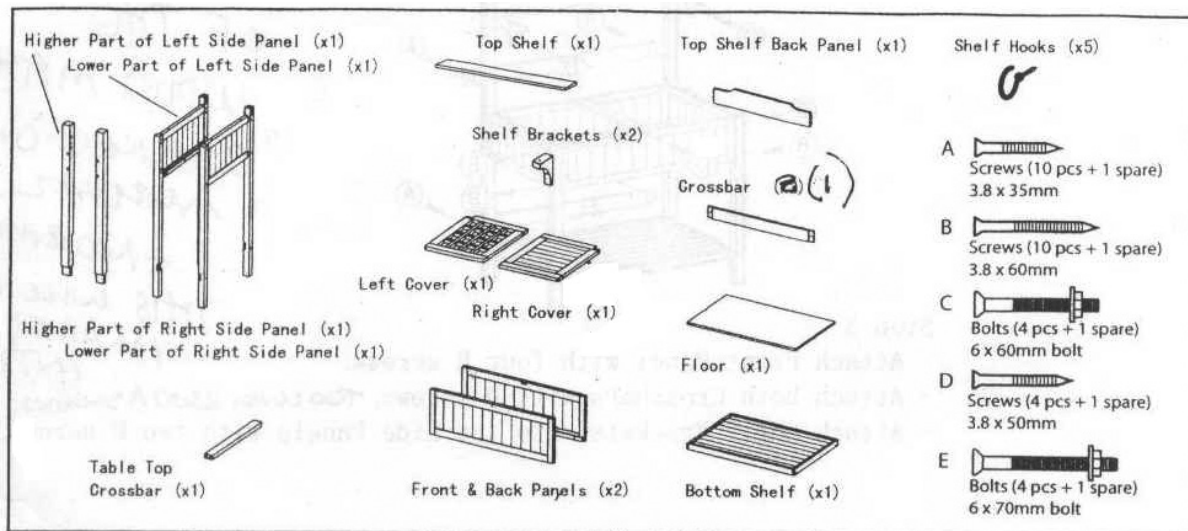
Step 8. Attach the Right Side Panel (Figure 2, then raise the unit to a standing position.

Over, please



Step 3. Using C Bolts, attach the Bottom Shelf to the Left Side Panel but do not fully tighten the Bolts. **To make this and the next steps easier, rest the back of the Side Panel on the floor and attach all parts to the Left Side Panel before attaching the Right Side Panel. This can help provide better support and keep the parts aligned.**

PARTS LIST:



Step 9. Attach the Front Panel using B screws (Figure 3).

Step 10. Attach the upper and lower Crossbars with A screws (Figure 3 and see Parts List to make sure you have the correct parts).

Step 11. Attach the Shelf Brackets onto the Side Panels with D screws (Figure 3).

Step 12. Secure the Top Shelf to the Shelf Brackets with A screws, then screw the Hooks into place (Figure 4).

Step 13. Fully tighten all screws and bolts. Set the Table Top Covers into place (Figure 5).

Step 14. Fold together the Plastic Debris Tub (not shown) and set it under the draining Table Top Cover. The assembly is now complete.

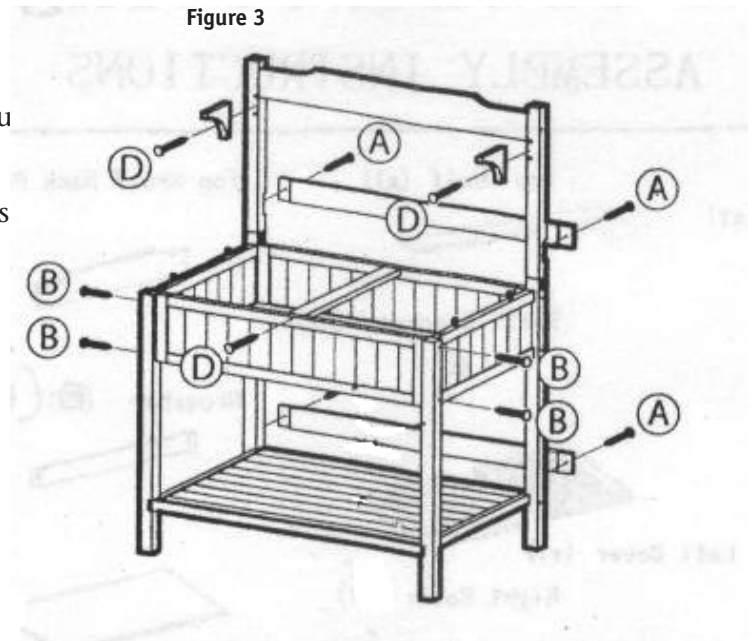


Figure 3

Figure 4



Figure 5



Figure 6

