

Tomato Tree™ Instructions

Assembly



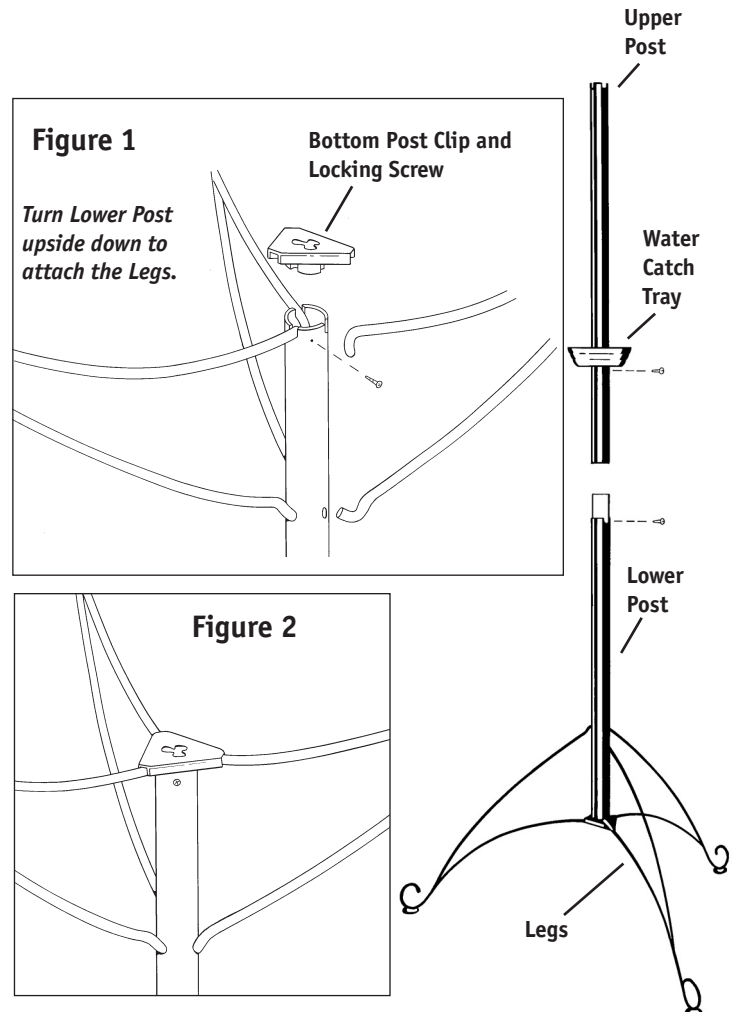
With the Tomato Tree, you'll harvest ripe tomatoes without cages, stakes or weeding! Or, you can grow fresh herbs, zucchini, eggplant or a variety of peppers, green or red. The Tomato Tree stands 78 inches high when fully assembled and should be located outdoors on a solid level surface such as a patio, deck or balcony. Assembly and planting should take less than one hour.

Tools Needed: rubber mallet or hammer, screwdriver.

Parts List:

- Legs (3 pieces)
- Upper Main Post (1)
- Lower Main Post (1)
- Bottom Post, "Locking Legs," Plastic Clip (1)
- Bottom Post Clip Locking Screw (1)
- Grow Bag, with planting collars (1)
- Bottom Drain with plugs inside Bag (1)
- Steel Hanging Wires, attached to top of bag (3)
- Planting Collars, located in the bag wall (3)
- Split Sponges, inside Planting Collars (3)
- Top Lid/Water Funnel (3 Pieces)
- Top Post Cover (2 Pieces)
- Water Catch Tray (1)

Step 1. NOTE: When the stand is assembled and the Grow-Bag is full of soil, the Tomato Tree is difficult to move. Be sure to assemble the stand in the same location where you'll be using it. To begin, turn the Lower Main Post upside down and attach the Locking Legs into the slots. Use the Bottom plastic Post Clip to lock the Legs into place (Figures 1 and 2). **Important!** Drive the Clip onto the Post with a rubber mallet or hammer. Carefully align the holes in the Clip with the Post. Screw the Bottom Post Locking Screw through the Clip and into the Lower Post. Place the Stand upright on the Legs.



Step 2. Slide the Upper Post down over the Lower Post, twisting it to lock firmly into place. Slide the Water Catch Tray down over the Upper Main Post, almost to the Lower Post (Figure 1).

Step 3. Slide the Grow Bag over the Upper Post (a very tight fit, so take your time!). Then, take the 3 Top Lids (with scalloped edge facing down) and pass a Steel Wire through the water fill hole in each Lid. (See Figure 3, on back of bulletin). Hook the Wires into the slots at the top of the Upper Post. **Do not attach the Top Lids until later in the assembly.** You first need to fill the Bag with planting Mix.

Step 4. Prepare Planting Mix

The Tomato Tree Grow Bag holds approximately 40 quarts of planting mix. We recommend using

Over, please

a good growing mix comprised of sphagnum peat, perlite and vermiculite. We suggest using our Self-Watering Container Mix. In a separate container, moisten the planting mix thoroughly before filling the grow bag. The mix should be very wet.

Step 5. Add Fertilizer to Planting Mix

We recommend using a slow release, granular fertilizer such as our Tomato Fertilizer or All-Purpose Fertilizer. Follow the fertilizer label instructions to add the amount of fertilizer required by the type and number of plants you are growing. Thoroughly mix the fertilizer into the premoistened planting mix.

Planting

Step 6. Fill the Grow-Bag halfway before planting your seedlings. Then, plant your tomato seedlings, one at a time. Be careful to avoid damaging delicate plant stems. Gently remove soil from the roots so the roots will go through the Planting Collar more easily. After placing the roots through the hole, CAREFULLY place a Split Sponge around the stem, placing as much stem inside the Bag as possible, with leaves outside of the bag.

Repeat this step with the other two Planting Collars. Slowly finish filling the bag with planting mix, being careful to avoid damaging delicate tomato plant stems.

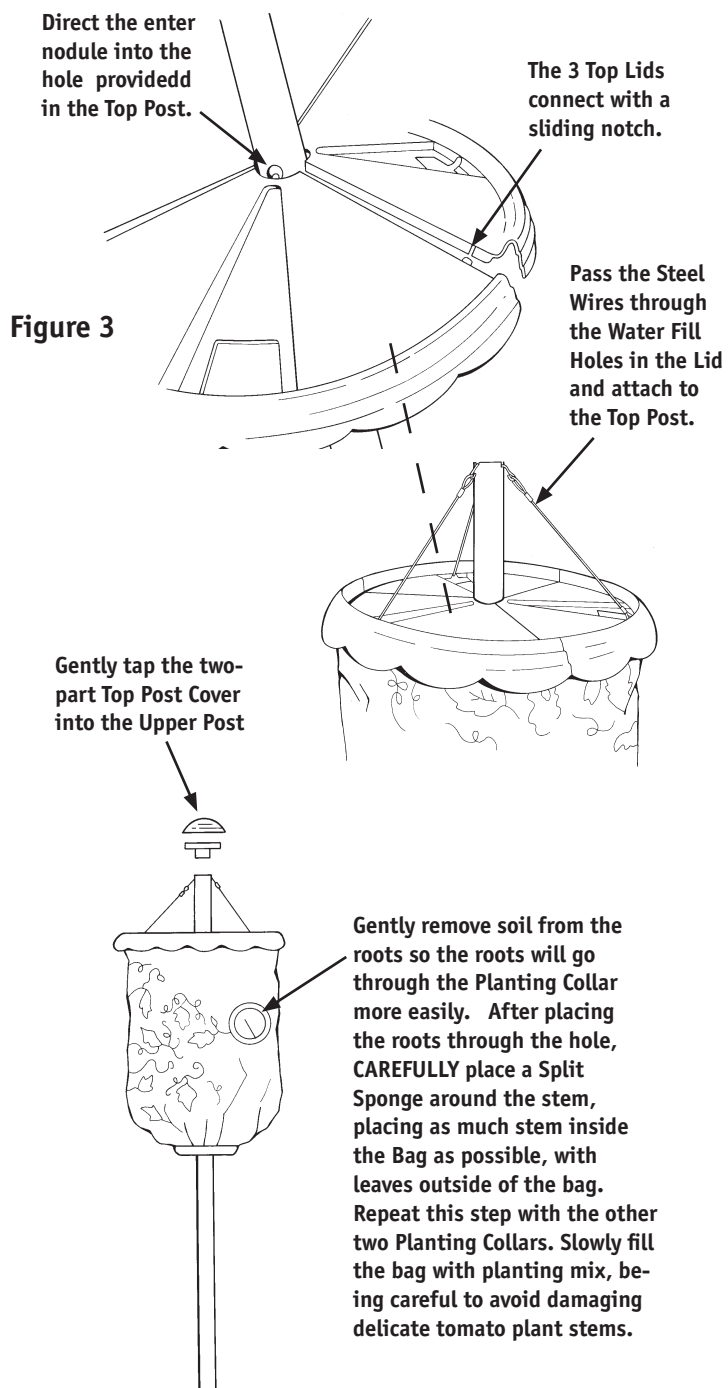
Attach Top Lid

Step 7. When the bag is full (to within 3 inches of the top edge), connect the 3 Top Lids using the sliding notches and direct the center nodule of each Lid into the hole provided in the Upper Post. Position the perimeter of the Top Lid so that it fits snug around the rim of the Grow Bag.

Step 8. Gently tap the two-part Top Post Cover into the Upper Post using a hammer or rubber mallet (Figure 3). The Tomato Tree assembly is complete, and your tomatoes are planted and ready to grow!

Water and Fertilizer

The Tomato Tree Grow Bag requires frequent watering and regular applications of water-soluble fertilizer. If you're growing tomatoes, be aware that a full grown, mature plant loaded with tomatoes will require at least one gallon of water



every day. Water and fertilize through the top. Fertilizer requirements will vary depending on the number and type of plants you are growing. For tomatoes and other vegetables, we recommend weekly applications of our water-soluble Plant Health Care (PHC) for Tomatoes and Vegetables.

Note on Drainage and overflow: Some, but not all water overflow is captured by the Water Catch Tray. If you prefer to protect your deck from water overflow, we suggest placing a bucket underneath.