

## Cedar Raised Bed

The hardest part of building a raised bed can be securing the corners. With this in mind, we designed the Cedar Raised Bed with Aluminum Corners that are both durable and easy to install. We've also included cedar boards, making this raised bed naturally rot- and insect-resistant and long-lasting.

### Assembly Instructions

The 3' x 6' Raised Bed includes the following parts:

- (4) 6' Cedar Boards
- (4) 34" Cedar Boards
- (6) Wood Blocks
- (4) Aluminum Corners
- (32) 3/4" Phillips screws
- (24) 1 1/2" Phillips screws
- (4) Corner Caps

#### Tools needed for assembly:

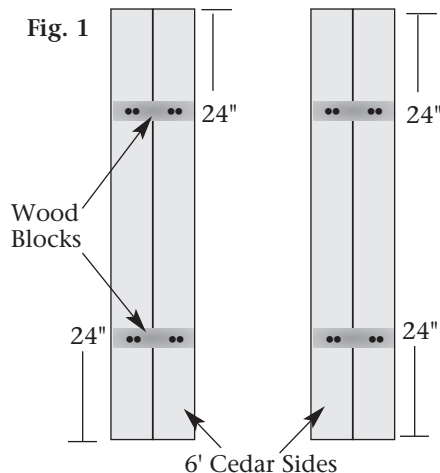
Cordless drill or  
Phillips screwdriver  
Hammer

**Step 1.** Locate a level area on the ground that will receive the appropriate amount of sunlight needed by your plants and prepare the ground for planting.

If you are installing the raised bed on a lawn, remove the sod and loosen the soil with a shovel or spade so that the plant roots will be able to penetrate to a depth of 6".

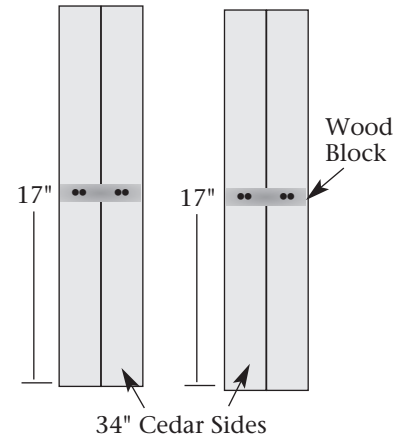
**Step 2.** Place two 6' boards side by side on a level surface. Measure 24" toward the center of each board from both ends and mark the measurement (Fig. 1).

**Step 3.** Place a Wood Block over the center of each 24" mark (Fig. 1). Using the 1 1/2" screws, attach the two Cedar Boards together by screwing into the predrilled holes in the Blocks. Be careful not to overtighten the screws. **NOTE:** After connecting the first Block, we suggest using a clamp to hold the boards tightly together for a flush fit, then finish connecting the boards with the second Block. Repeat Steps 2 and 3 to connect the remaining 6' Cedar Sides.



**Step 4.** Place both sets of 34" boards side by side on a level surface. Measure 17" toward the center of each board. (Fig. 1).

Fig. 2



**Step 5.** Place a Wood Block over the center of each 17" mark (Fig. 2). Using the 1 1/2" screws, attach the two sets of Cedar Boards together by screwing into the predrilled holes in the Blocks.

**Step 6.** Place the assembled boards on their sides to form a rectangular bed and seat the ends into the Aluminum Corners (Fig. 2). **Make sure the boards are fully seated and level with the bottom of all four Aluminum Corners.**

**Step 7.** Use the 3/4" Phillips screws provided to connect the boards to the Corners.

**Step 8.** Insert the black plastic Corner Caps into the top of each Aluminum Corner.

**Step 9.** Fill the raised bed to the top edge with a mixture of garden soil and plenty of organic matter, such as compost. You may mix in other materials such as peat, perlite, or coconut fibers to help aerate and retain moisture in the soil. Now you're ready to plant!

Fig. 3: Assembled Cedar Raised Bed

