

## Self-Watering Window Box

The Self-Watering Window Box is designed for outdoor use and comes with heavy-duty mounting brackets.

It can be installed beneath a window, or can be attached to a railing on a balcony, patio or deck. The bracket is adjustable and can be used for different applications. (We've included drawings for 2 common installations.)

Wing nuts and washers to assemble the brackets are included, but you will need to purchase hardware to screw the brackets to your house or railing. Before planting, be sure to check under the grid and retrieve any hardware that may be stored in the water reservoir.

The float inside the water level indicator lets you know when it is time to refill the reservoir. Water from the reservoir will keep the soil moist, but not too wet. Drainage holes will prevent over-watering.

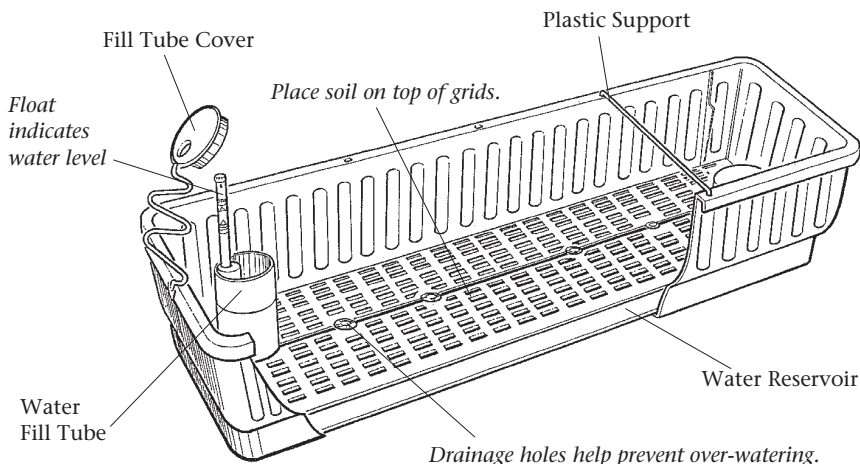
When you are ready to plant, place moistened soil on top of the grid. Keep the water fill tube covered to prevent soil from getting into the water reservoir.

After you've finished planting, insert the plastic supports which will keep the planter from bowing. Please note: The 23" windowbox does not come with plastic supports. The supports are needed only with the longer windowboxes to prevent bowing.

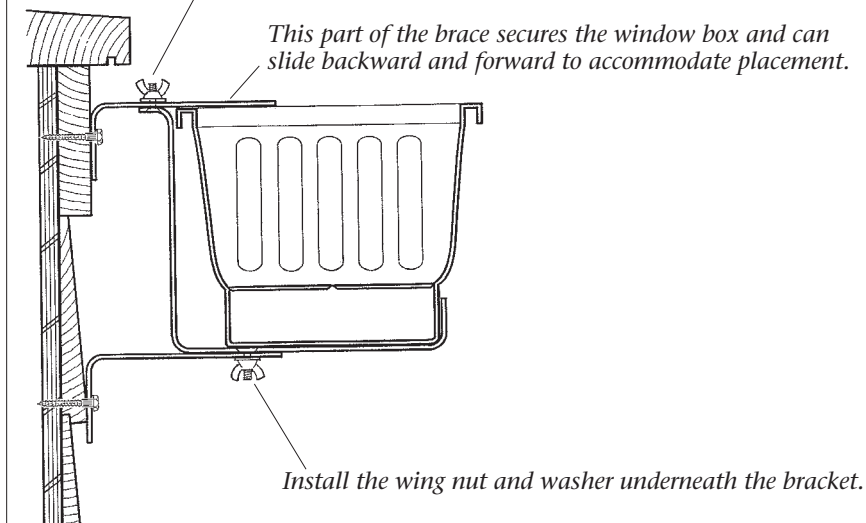
Since the planter will be heavy, install it first before filling the water reservoir. To fill the reservoir, simply pour water into the fill tube until the float indicates it is full.

At the end of the season, remove the window box from the brackets, put the soil into your garden or compost pile and clean the window box thoroughly before storing.

*Over, please*



*This illustration shows the shorter brace being used on top. You have the option of using a short or long brace on top depending on which one best fits your siding. Insert the bolt from underneath, then add the washer and wing nut. Tighten after making any necessary adjustments.*



In the illustration above, the window box is attached to wood siding beneath a windowsill. Check with your local hardware store to find the mounting hardware that's right for your house. The example below shows one way to attach the box to a railing. The brace can be adjusted to fit different types of railings.

