

Tomato House

Location and Anchoring Tips

The best site for the Tomato House is one protected from strong winds with maximum exposure to sunlight from dawn to dusk. Capturing the most light and warmth possible is very important for spring and fall growing. Ideally, the Tomato House should be positioned with the long sides facing north and south to maximize the amount of light your plants receive.

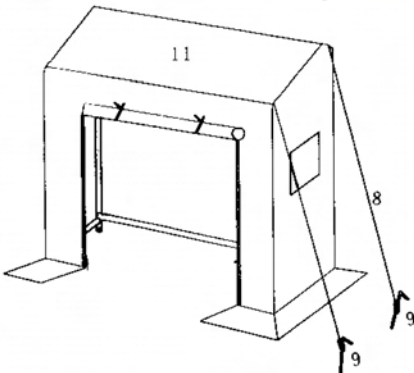
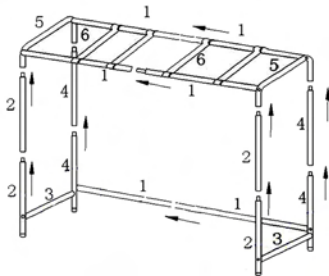
Stakes are provided, but if you are to position the Tomato House in an open area exposed to wind, we highly recommend anchoring the four corner poles with steel ground stakes or 1/2-inch reinforcing rods.

The length of the stakes needed depends on your soil structure; for example, for sandy soil, you will need to use longer stakes. Check with your local hardware store to find the stakes appropriate for your type of soil.



Instructions

Step 1. Lay out the parts on a hard level surface. Identify each part before assembly (See Parts List below). *Over, please*



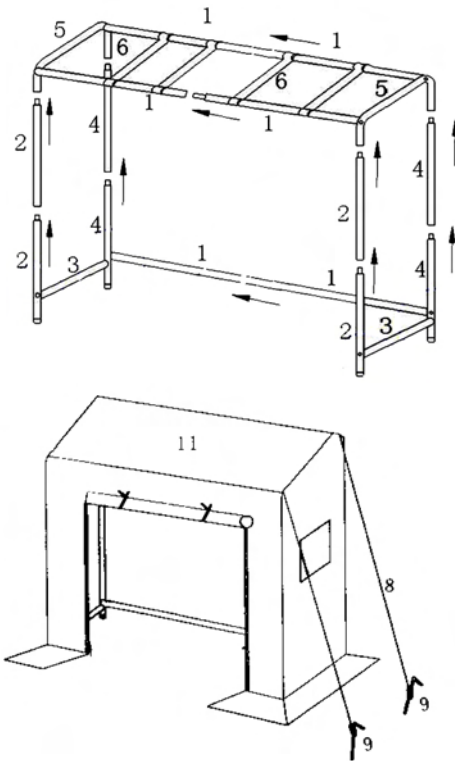
Parts List

| | | |
|----|-------|-------|
| 1 | | 6PCS |
| 2 | | 4PCS |
| 3 | | 2PCS |
| 4 | | 4PCS |
| 5 | | 2PCS |
| 6 | | 4PCS |
| 8 | | 10PCS |
| 8 | | 4PCS |
| 9 | | 4PCS |
| 11 | COVER | 1PCS |

Step 2. Assemble the Tomato House frame according the diagram below. The frame poles slip together and lock with spring clips; therefore, no tools are required for assembly.

Step 3. If using steel stakes or reinforcing rods, position them in the corners, securing the corner upright poles, to keep them from lifting during high winds.

Step 4. Place the Cover (11) over the assembled Frame. Use the tent stakes provided to stake both sides of the Cover to the ground as shown (9,10).



Step 5. For ventilation, use the tie backs on the Cover to open the side windows and front panel.

Step 6. We recommend supporting tomatoes with our Tomato Ladders, Cages or Twine. (To order, visit us at gardeners.com or call 800-427-3363).

When using twine, tie it to the 4 crossbars (6) at the top and stake the bottom of the twine into the soil. Train the tomato plants to grow up the twine.

Step 7. At the end of the season, clean and remove the Tomato House Cover. Allow the Cover to dry completely before folding it, then store it in a dry location.

Parts List

| | | |
|----|-------|-------|
| 1 | | 6PCS |
| 2 | | 4PCS |
| 3 | | 2PCS |
| 4 | | 4PCS |
| 5 | | 2PCS |
| 6 | | 4PCS |
| 8 | | 10PCS |
| 8 | | 4PCS |
| 9 | | 4PCS |
| 11 | COVER | 1PCS |