

Sun Shelf

The Sun Shelf stackable shelving system provides plenty of bright, full-spectrum light to keep plants happy almost anywhere in your home or office. The Sun Shelf is available in metal or wood. The base unit includes a top and bottom shelf and an energy-efficient T-5 fluorescent fixture.

You may add up to 2 additional shelves and optional light fixture to create a multi-tiered display of plants, books, art objects and collectibles.



Safety Information

- Use the power cord only with a properly grounded, 3-prong electrical outlet or power strip. Do not use with a two-plug outlet or extension cord unless the adapter is properly grounded.
- Always turn off the power to the light fixtures when inserting, removing, or adjusting the fluorescent tubes.
- If water is spilled near the power source, unplug the unit before you wipe up the water.
- Do not exceed the weight capacity of 30 lbs per shelf.

PARTS LIST:

Hex screws	(16)	
Top Shelf	(1)	
Bottom shelf	(1)	
Adjustable Feet	(4)	
T-5 Light	(1)	
Hex wrench	(1)	
Top Bars	(4)	
Bottom Bars	(4)	
Legs	(4)	
Velcro Strips	(5)	

Assembly Instructions

Step 1. Lay out the parts on a hard level surface. Identify each part before assembly (See Parts List).

Step 2. Screw the four Adjustable Feet into the corner holes in the Bottom Shelf (Figure 1).

Step 3. Use the hex screws provided to attach the 4 Frame Legs to the Top and Bottom Frames. Make sure the Legs are flush with the outside surface of the Frames (Figure 2).

Step 4. Direct two Velcro Strips between the T-5 bulb and the metal part of the fixture. Wrap the Strips around the top Frame bar of the shelf (front or back). Cut the strips to size and pull taut for a more secure hold. When correctly attached, the bulb should face the center of the Shelf and the metal part of the fixture should be flush with the inside surface of a Top Frame bar.

Figure 1

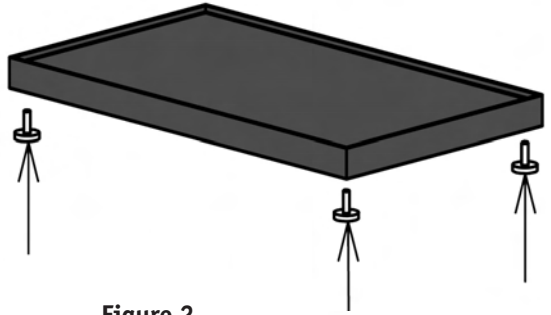


Figure 2

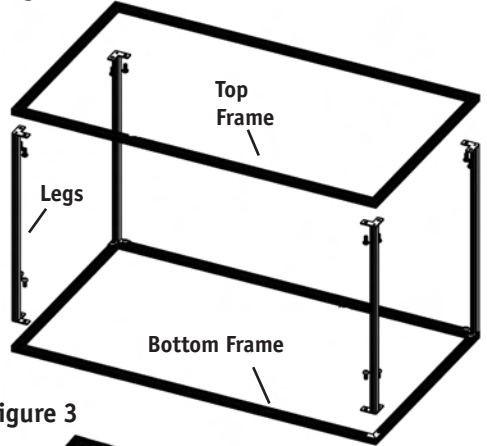
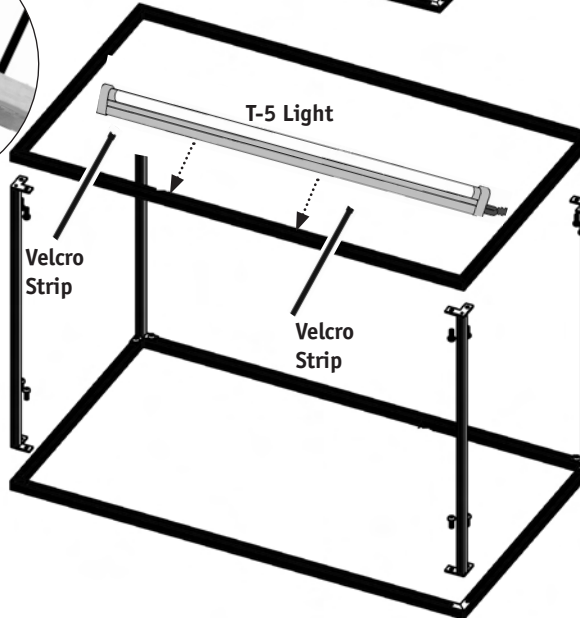
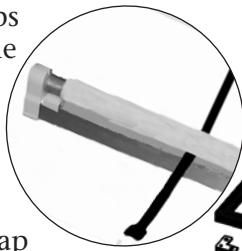


Figure 3



Step 5. Use extra Velcro Strips to secure the light's power cord to a frame leg.

Step 6. Place the assembled Frame on top of the Bottom Shelf. Place the Top Shelf on top of the Frame. The assembly of the Sun Shelf (Base Unit) is now complete (Figures 4 and 5).

Figure 4

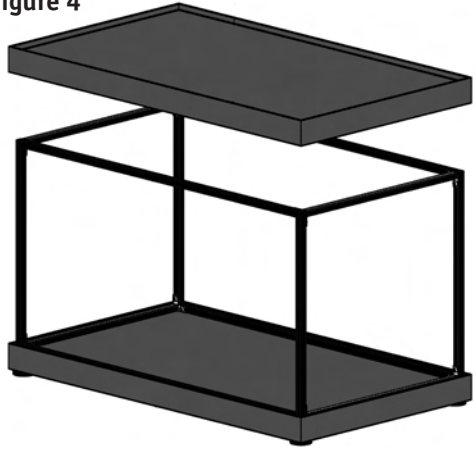


Figure 5

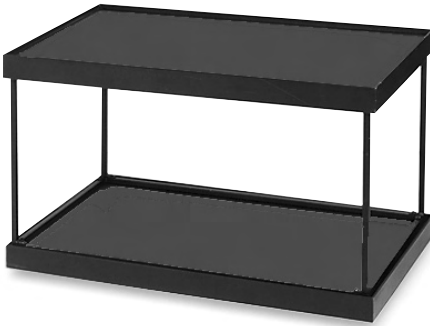
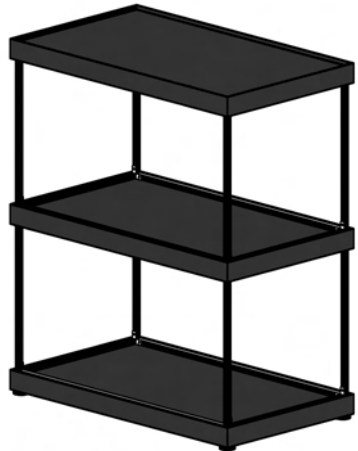


Figure 6



For additional shelves, simply follow these instructions, adding a Frame and Top Shelf to each new level.

You can also add a Small Tray to protect shelves from water drips or spills (See Ordering Information on the back of this Bulletin).

Ordering Information

- #37-031... Sun Shelf Base Unit with Light, Wood
- #37-068... Add-a-Shelf, Wood
- #37-029... Sun Shelf Base Unit with Light, Metal
- #37-030... Add-a-Shelf, Metal
- #37-558... T-5 Fluorescent Fixture and Velcro Strips
- #87-503... Replacement T-5 Fluorescent Bulbs
(Set of 4 Bulbs)
- #32-709... Small Tray

PHONE ORDERS: 1-800-427-3363 CUSTOMER SERVICE: 1-800-876-5520
E-MAIL: info@gardeners.com WEB: www.gardeners.com
